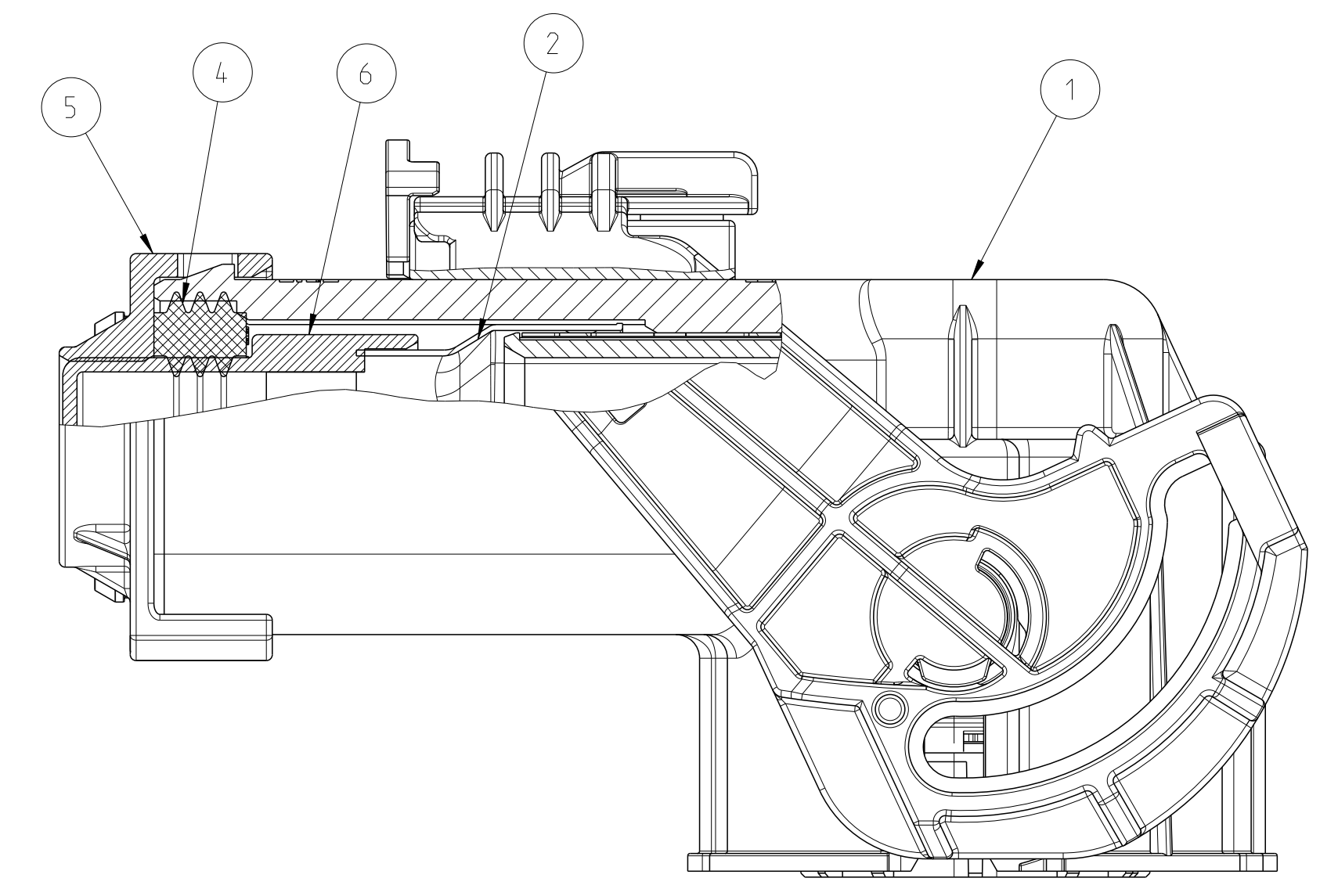
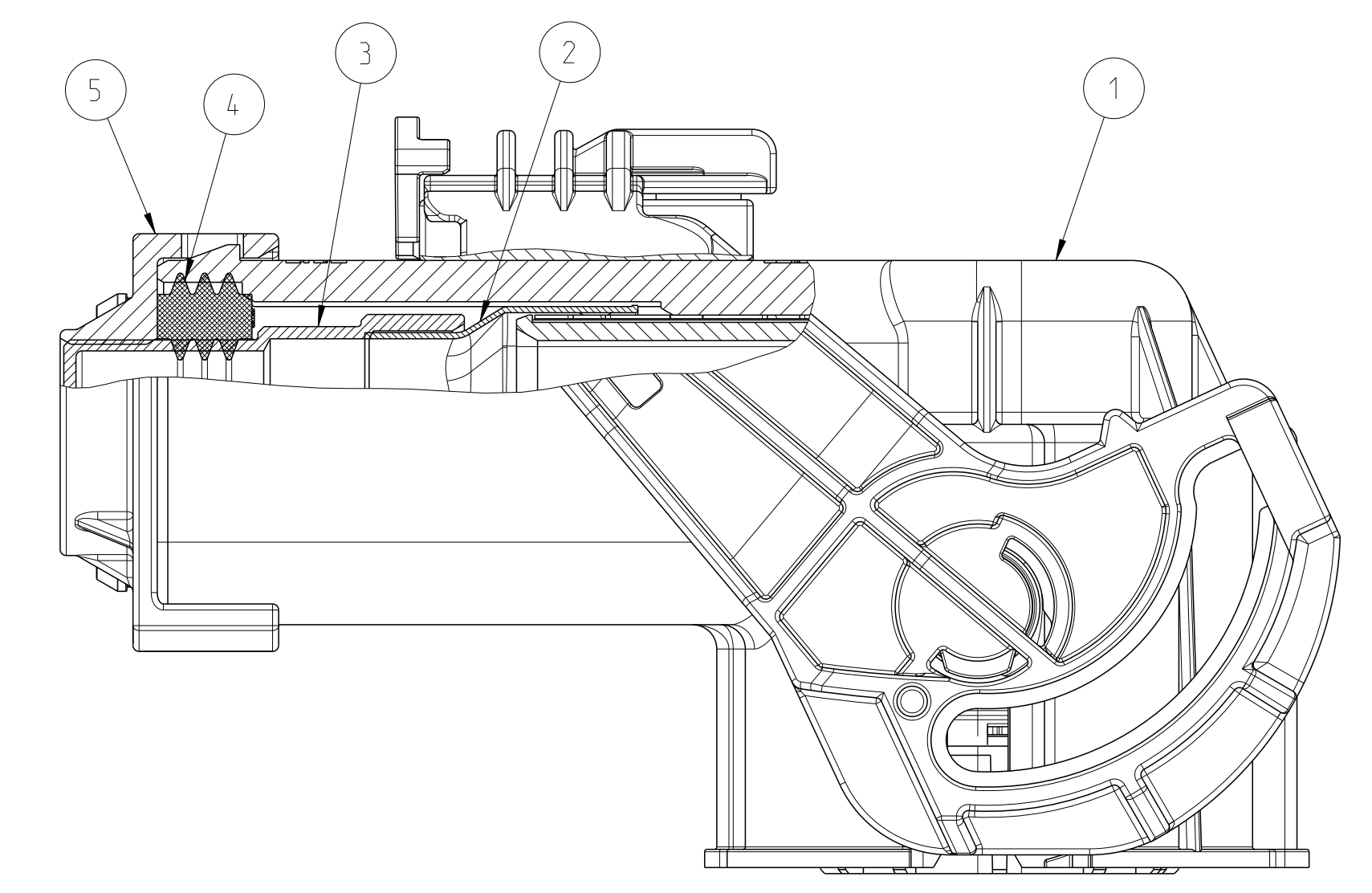


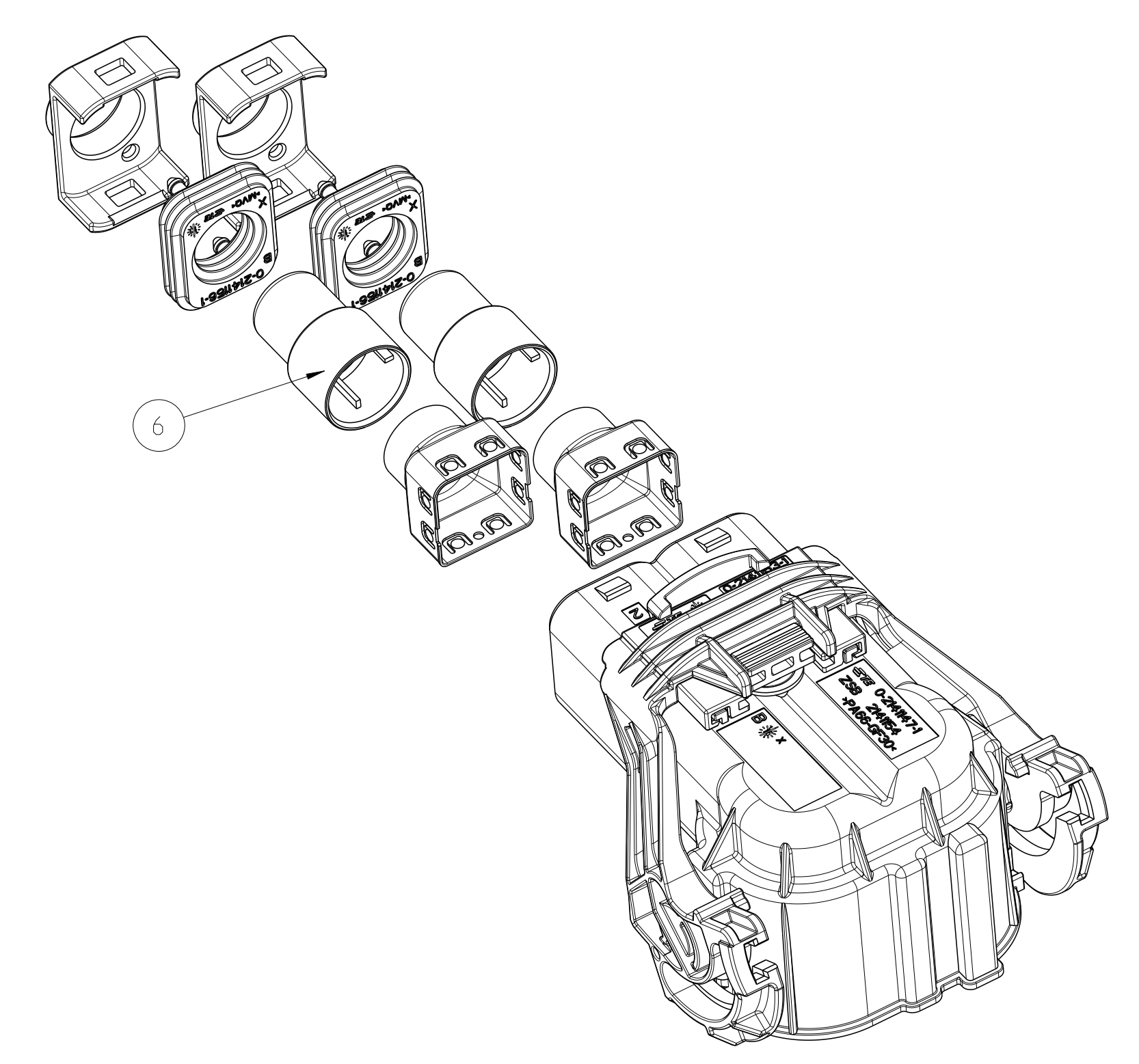
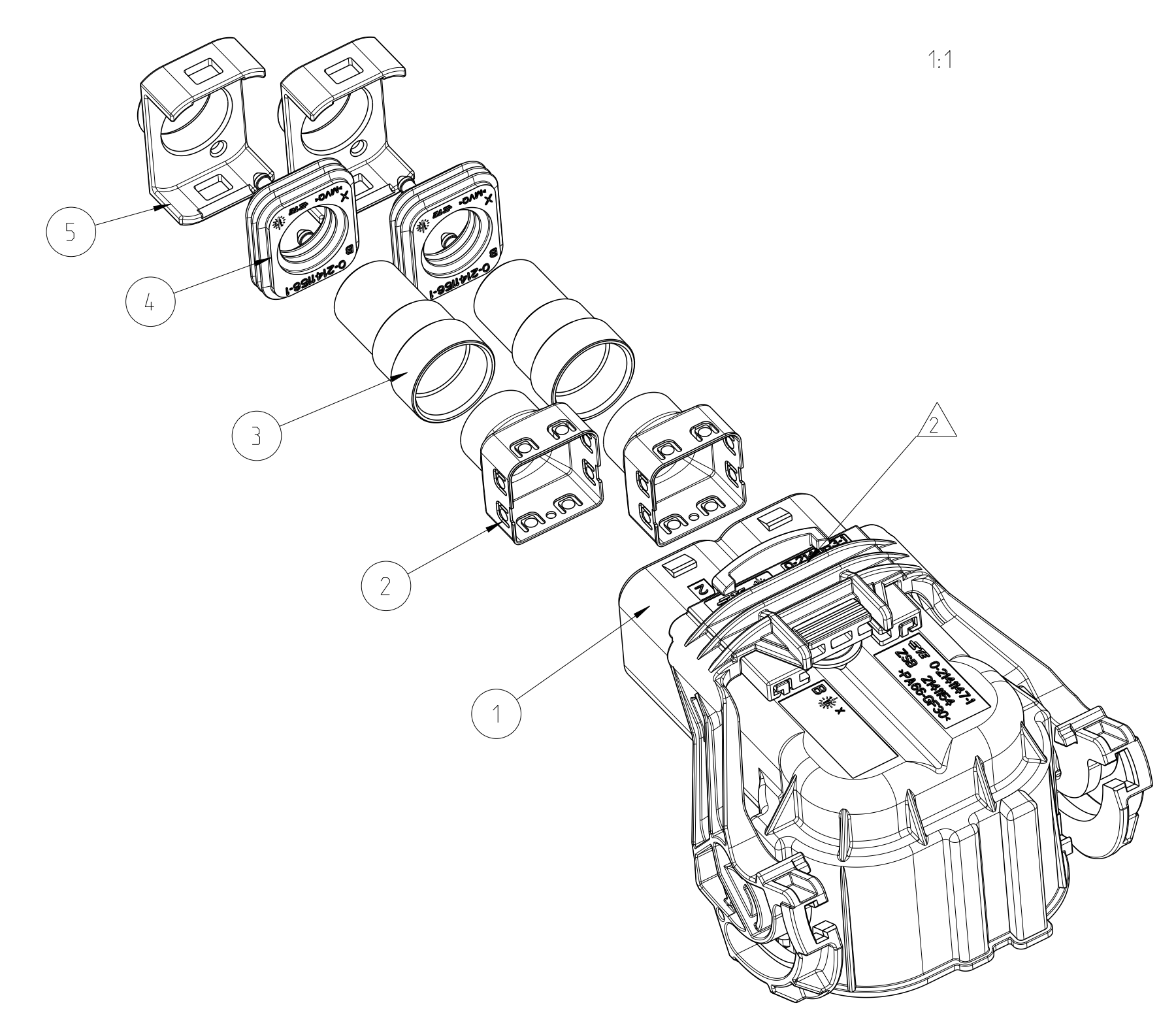
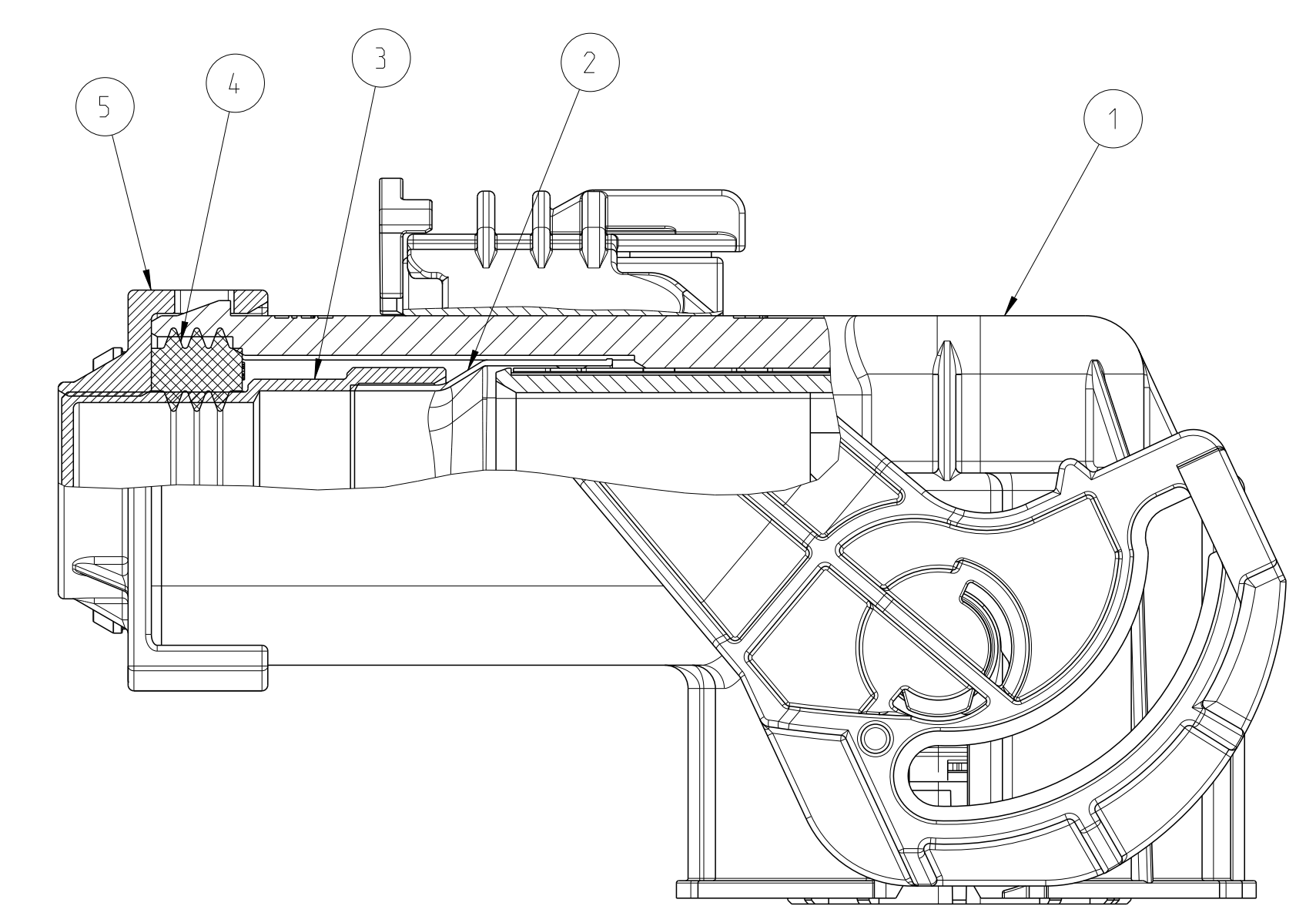
PN 3-2286713-1



D2 PN 1-2286713-3

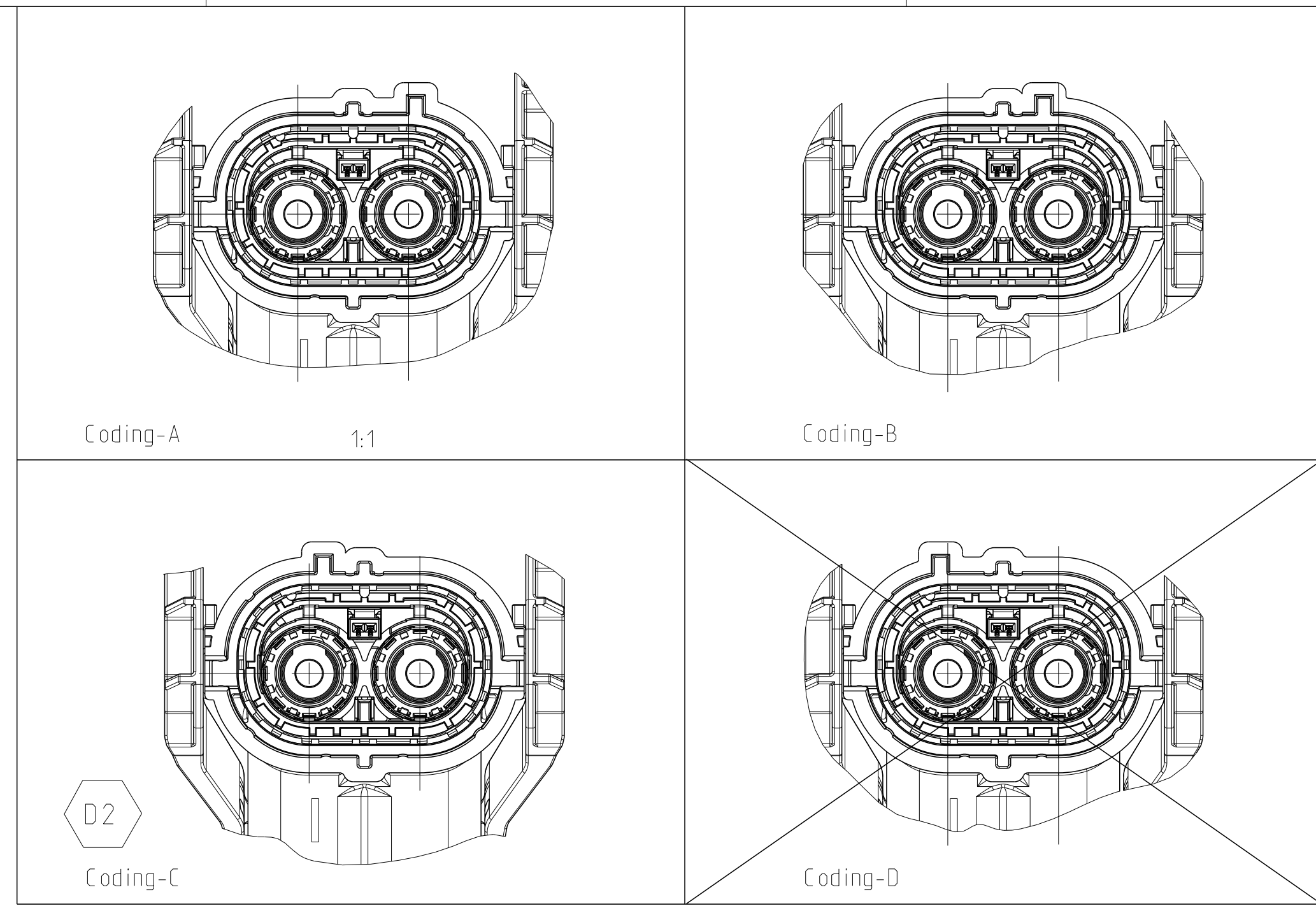


PN 1-2286713-1



PN 1-2286713-1

PN 3-2286713-1

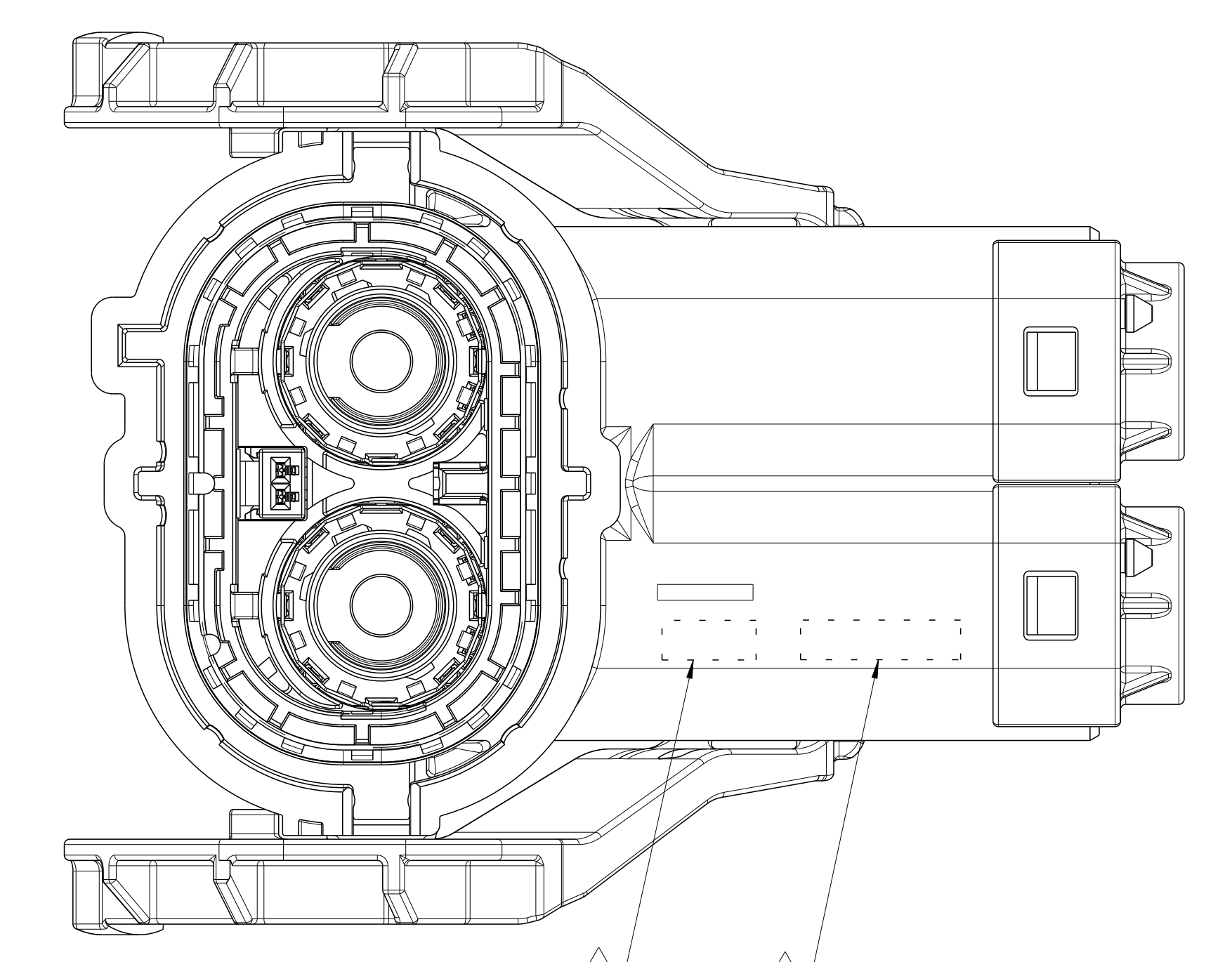


REVISIONS		DATE	BY	APPD
C	Lever and Header Design changed	Rev.006-3	MSA	DHV
D	REV. OF ASSY CHANGED, PRINT OF PN ADDED	24.06.2017	TSV	DHV
D1	ADDED NEW PN VARIANTS INTO BOM	04.08.2018	JJM	TSV
D2	ADDED PN 1-2286713-3 VARIANT INTO BOM	10.02.2018	JJM	TSV

- IN CASE OF DISCREPANCIES BETWEEN GERMAN AND ENGLISH TEXT THE GERMAN TEXT IS BINDING
- DELIVERY CONDITION: LEVER IN END-LOCKING POSITION
CPA CLOSED
Lieferzustand: Hebel in Endrastellung, CPA geschlossen
- FOR LABELING WITH NEEDLE PRINTER OR BAR CODE FOLLOWING DETAILS MUST BE INCLUDED:
PRODUCTIONDATE, CALENDAR-WEEK/YEAR, REVISION
Für Markierung mit Nadeldrucker oder Barcode müssen nachfolgende Angaben vorhanden sein:
Produktionsdatum, Kalenderwoche/Jahr, Revision
- PACKAG ACC. SPEC.: V - 2286713
Verpackung nach Spec.: V - 2286713
- PN PRINTING
PN drucken
- MATING 2POS. PIN DIA 8mm PINHEADER - 2141227
Passende 2Pol. Rundkontakt 8mm Stiftwanne - 2141227

COD.	TE ASSY-NO.	QTY	TE PART-NO.	TE SUB-ASSY-NO.	DESCRIPTION	MATERIAL	SURFACE COLOUR	ITEM	
C	1-2286713-3	D2	2	0-2141155-1	-	PROTEC. COVER 8mm HV, 90 DEG Abdeckkappe 8mm HV, 90 Grad	P6-(GF10-GB20) Ultraamid B3GK24 0-0704822-1	ORANGE SIM./aehnli. RAL 2003	5
			2	0-2141156-1	-	SINGLE WIRE SEAL, 8mm HV, 90 DEG Kabeldichtung einzeln, 8mm HV, 90 Grad	Elastosil LR3844/30A/B COMPONENT A + B Komponente A + B PN: 0-2136301-1	GRASS GREEN/Grassgruen SIM./aehnlich RAL 6010	4
			2	2286681-1	-	CLOSING PLUG Verschlussstopfen	1,4301 PN [TBD]	black	6
			2	9-2141158-2	-	SHIELDING SLEEVE, 90 DEG Schirmhülse, 90 Grad	CuNiSi 2580-STOL-76-R580S TE Spec. 100-1230	SILVER PLATED versilbert	2
			1	-	1-2141154-3	2POS, 8mm HV, REC HSG, 90 DEG, ASSY, SEALED 2pol. gedichtete Assy, 8mm HV, 90 Grad	SEE 2141154		1
B	1-2286713-2		2	0-2141155-1	-	PROTEC. COVER 8mm HV, 90 DEG Abdeckkappe 8mm HV, 90 Grad	P6-(GF10-GB20) Ultraamid B3GK24 0-0704822-1	ORANGE SIM./aehnli. RAL 2003	5
			2	0-2141156-1	-	SINGLE WIRE SEAL, 8mm HV, 90 DEG Kabeldichtung einzeln, 8mm HV, 90 Grad	Elastosil LR3844/30A/B COMPONENT A + B Komponente A + B PN: 0-2136301-1	GRASS GREEN/Grassgruen SIM./aehnlich RAL 6010	4
			2	2286681-1	-	CLOSING PLUG Verschlussstopfen	1,4301 PN [TBD]	blank	3
			2	9-2141158-2	-	SHIELDING SLEEVE, 90 DEG Schirmhülse, 90 Grad	CuNiSi 2580-STOL-76-R580S TE Spec. 100-1230	SILVER PLATED versilbert	2
			1	-	1-2141154-2	2POS, 8mm HV, REC HSG, 90 DEG, ASSY, SEALED 2pol. gedichtete Assy, 8mm HV, 90 Grad	SEE 2141154		1
A	1-2286713-1		2	0-2141155-1	-	PROTEC. COVER 8mm HV, 90 DEG Abdeckkappe 8mm HV, 90 Grad	P6-(GF10-GB20) Ultraamid B3GK24 0-0704822-1	ORANGE SIM./aehnli. RAL 2003	5
			2	0-2141156-1	-	SINGLE WIRE SEAL, 8mm HV, 90 DEG Kabeldichtung einzeln, 8mm HV, 90 Grad	Elastosil LR3844/30A/B COMPONENT A + B Komponente A + B PN: 0-2136301-1	GRASS GREEN/Grassgruen SIM./aehnlich RAL 6010	4
			2	2286681-1	-	CLOSING PLUG Verschlussstopfen	1,4301 PN [TBD]	blank	3
			2	9-2141158-2	-	SHIELDING SLEEVE, 90 DEG Schirmhülse, 90 Grad	CuNiSi 2580-STOL-76-R580S TE Spec. 100-1230	SILVER PLATED versilbert	2
			1	-	1-2141154-1	2POS, 8mm HV, REC HSG, 90 DEG, ASSY, SEALED 2pol. gedichtete Assy, 8mm HV, 90 Grad	SEE 2141154		1

COD.	TE ASSY-NO.	QTY	TE PART-NO.	TE SUB-ASSY-NO.	DESCRIPTION	MATERIAL	SURFACE COLOUR	ITEM	
B	3-2286713-2		2	0-2141155-1	-	PROTEC. COVER 8mm HV, 90 DEG Abdeckkappe 8mm HV, 90 Grad	P6-(GF10-GB20) Ultraamid B3GK24 0-0704822-1	ORANGE SIM./aehnli. RAL 2003	5
			2	0-2141156-1	-	SINGLE WIRE SEAL, 8mm HV, 90 DEG Kabeldichtung einzeln, 8mm HV, 90 Grad	Elastosil LR3844/30A/B COMPONENT A + B Komponente A + B PN: 0-2136301-1	GRASS GREEN/Grassgruen SIM./aehnlich RAL 6010	4
			2	2321221-1	-	CLOSING PLUG Verschlussstopfen	PA66-GF15	black	6
			2	9-2141158-2	-	SHIELDING SLEEVE, 90 DEG Schirmhülse, 90 Grad	CuNiSi 2580-STOL-76-R580S TE Spec. 100-1230	SILVER PLATED versilbert	2
			1	-	1-2141154-2	2POS, 8mm HV, REC HSG, 90 DEG, ASSY, SEALED 2pol. gedichtete Assy, 8mm HV, 90 Grad	SEE 2141154		1
A	3-2286713-1		2	0-2141155-1	-	PROTEC. COVER 8mm HV, 90 DEG Abdeckkappe 8mm HV, 90 Grad	P6-(GF10-GB20) Ultraamid B3GK24 0-0704822-1	ORANGE SIM./aehnli. RAL 2003	5
			2	0-2141156-1	-	SINGLE WIRE SEAL, 8mm HV, 90 DEG Kabeldichtung einzeln, 8mm HV, 90 Grad	Elastosil LR3844/30A/B COMPONENT A + B Komponente A + B PN: 0-2136301-1	GRASS GREEN/Grassgruen SIM./aehnlich RAL 6010	4
			2	2321221-1	-	CLOSING PLUG Verschlussstopfen	PA66-GF15	black	6
			2	9-2141158-2	-	SHIELDING SLEEVE, 90 DEG Schirmhülse, 90 Grad	CuNiSi 2580-STOL-76-R580S TE Spec. 100-1230	SILVER PLATED versilbert	2
			1	-	1-2141154-1	2POS, 8mm HV, REC HSG, 90 DEG, ASSY, SEALED 2pol. gedichtete Assy, 8mm HV, 90 Grad	SEE 2141154		1



APPLICABLE FOR ALL DASH VARIANTS

DIESE ZEICHNUNG IST EIN KONTROLLIERTES DOKUMENT. DIMENSIONEN UND TOLERANZEN GEMÄSS: GPS ISO STANDARDS.
 THIS DRAWING IS A CONTROLLED DOCUMENT. DIMENSIONING AND TOLERANCING PER GPS ISO STANDARDS.

DATE: 04APR2016
 DRAWN BY: W. Saender
 CHECKED BY: OSAPR2016

STE TE Connectivity

NAME: 2POS 8MM HV, HSG, 90DEG, BLIND PLUG 2pol 8mm HV, Buchsengegaeuse 90Grad, Blindstecker
 SCALE: 1:1
 SHEET: 1 OF 1
 REV: 02

MATERIAL: CUSTOMER DRAWING