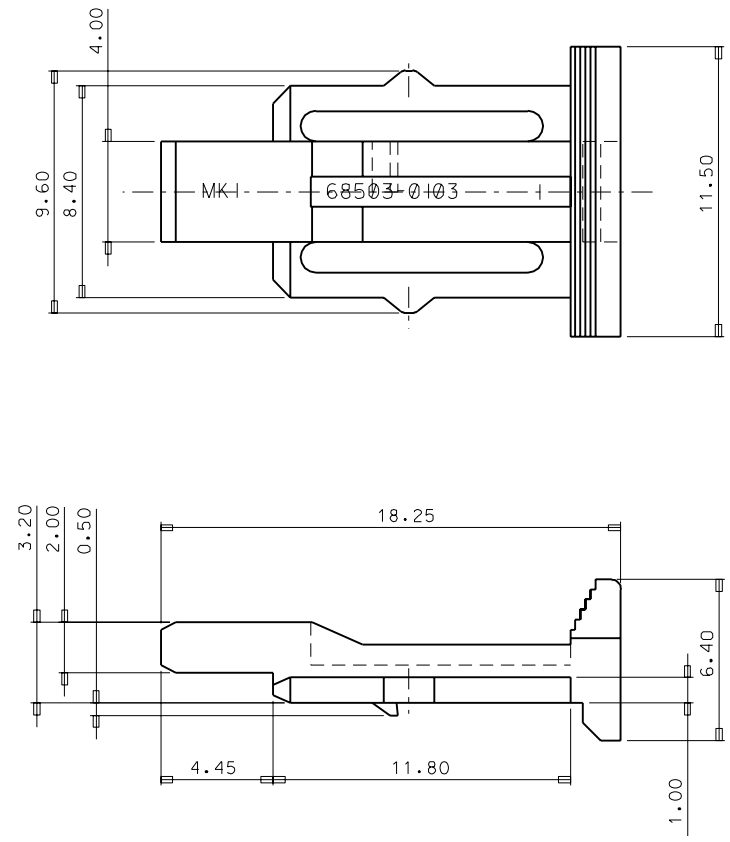
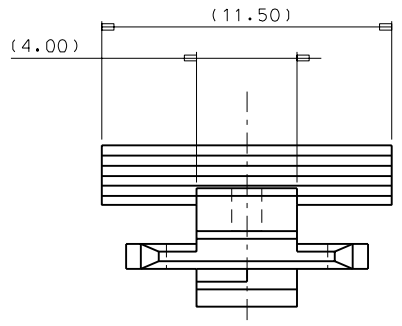


DO NOT SCALE DRAWING  
DIMENSION IN METRIC

B  
C  
PROJECT NO.  
SIMILAR ITEM  
DWG. NO.  
SD-68503-006

NOTES

- 1. MATERIAL : POLYAMIDE(NYLON 66),YELLOW
- 2. APPLICATION : OBD M/HSG 16P (ENG.NO.:68503-1602)



	685030103	68503-0103
NO.	MATERIAL NO.	ENG. NO.

RELEASED MANUFACTURING EC NO.: KOR2002-0057 DRWN: H.C.RHO 2001/12/29 CHK: H.C.RHO 2001/12/29 APPR: C.W.LEE 2001/12/29	QUALITY SYMBOLS MAJOR = CRITICAL =	GENERAL TOLERANCES: (UNLESS SPECIFIED)		SCALE 5:1	DESIGN UNITS <input checked="" type="checkbox"/> mm <input type="checkbox"/> INCH	THIRD ANGLE PROJECTION <input checked="" type="checkbox"/>	DIMENSIONS: <input type="checkbox"/> mm <input type="checkbox"/> INCH <input checked="" type="checkbox"/> mm ONLY	SHT	REV	
		4 PLACES	±0.	±.	DRAWN BY & DATE H.C.RHO 011229		TITLE: OBD PLUG CPA			
		3 PLACES	±0.	±.	CHECKED BY & DATE H.C.RHO 011229					
		2 PLACES	±0.1	±.	APPROVED BY & DATE C.W.LEE 011229		MOLEX INCORPORATED KOREA			
1 PLACE	±0.	±.	ANGULAR: ± 1°		CAD FILENAME	MATERIAL NO.	DRAWING NO.	SHEET NO.		
A	REV	DRAFT WHERE APPLICABLE MUST REMAIN WITHIN DIMENSIONS			THIS DRAWING CONTAINS INFORMATION THAT IS PROPRIETARY TO MOLEX INCORPORATED AND SHOULD NOT BE USED WITHOUT WRITTEN PERMISSION.					SIZE B
					SOBDCPA	SEE TABLE	SD-68503-006	1 OF 1		MX-A3