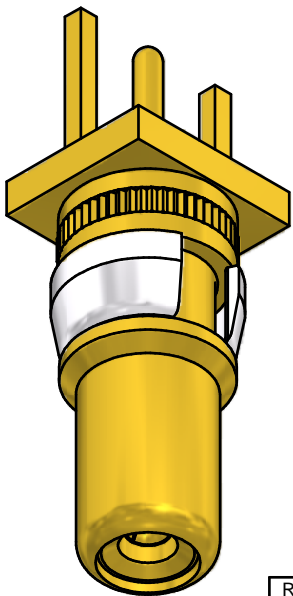
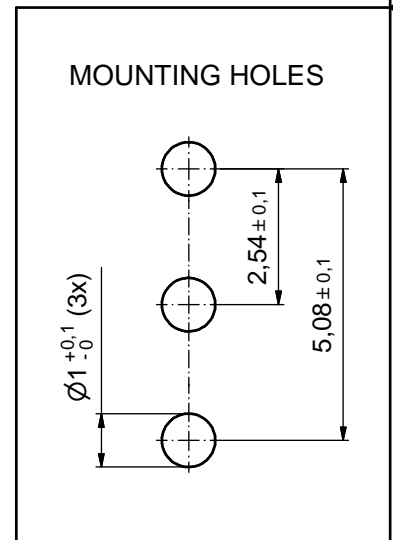
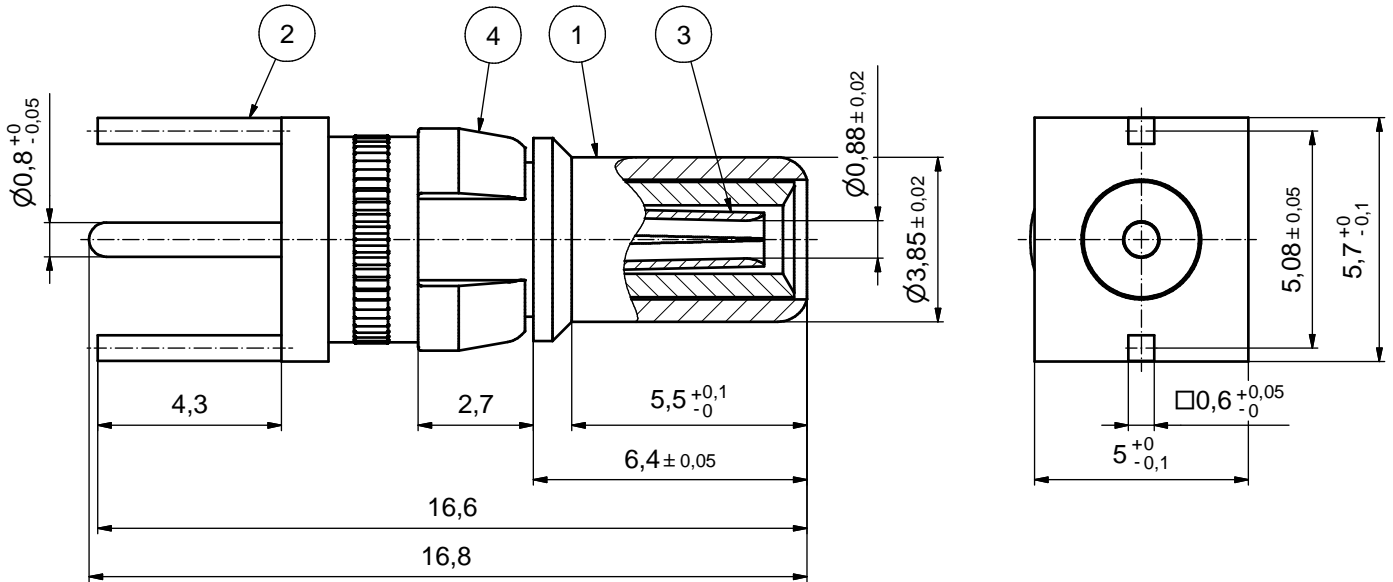


Part no.	Finish Pos. 1	Finish Pos. 2	Finish Pos. 3	Finish Pos. 4
② 131A24019X	GOLD FLASH over NICKEL	GOLD FLASH over NICKEL	GOLD FLASH over NICKEL	NICKEL PLATED
131J24019X	min. 30µin HARD GOLD over min. 50µin NICKEL	GOLD FLASH over NICKEL	min. 50µin HARD GOLD over min. 50µin NICKEL	NICKEL PLATED



RoHS compliant

THIS DRAWING MAY NOT BE COPIED OR REPRODUCED IN ANY WAY, AND MAY NOT BE PASSED ON TO A THIRD PARTY WITHOUT WRITTEN PERMISSION. OWNERSHIP AND COPYRIGHT OF CONEC GmbH DO NOT ALTER CAD DRAWING BY HAND				tolerance		scale:	8:1	
				dim. in mm		material:	siehe Stückliste	
				date	name	title:		<b>KOAXIALKONTAKTSTIFT 50 OHM</b> LÖTANSCHLUß GERADE (76) MIT 3 PINS D-SUB COMBINATION
				drawn	23.08.01	Parei	dwg no:	
				appd.	23.08.01	E. Mickenbecker	DIN-A3	
			norm			13K2A038A	sh: 1	
			d-old			part no:	SEE TABLE	
	1 x b	Ä6239	14.07.2016	Lehm.				
	a	Original						
	rev.	description	date	name				