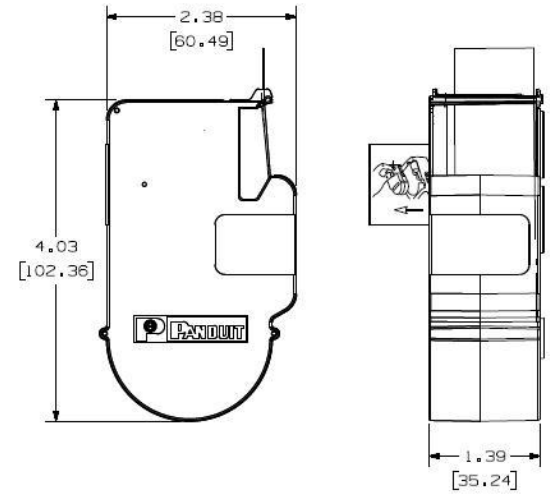
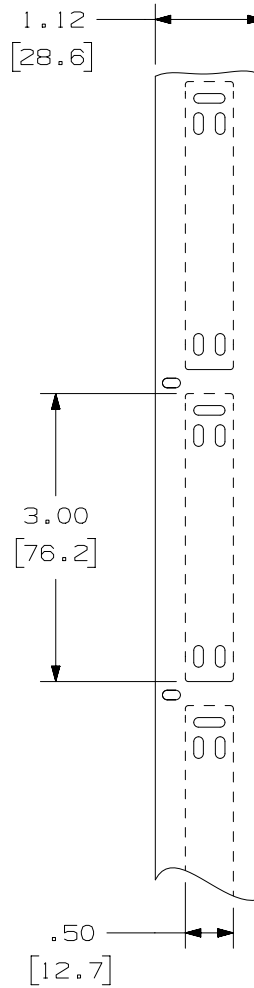


THIS COPY IS PROVIDED ON A RESTRICTED BASIS AND IS NOT TO BE USED IN ANY WAY DETRIMENTAL TO THE INTERESTS OF PANDUIT CORP.

| PART NO. | COLOR | MATERIAL | LABEL PER ROLL |
|-------------|--------|----------|----------------|
| M300X050Y6C | YELLOW | GMH12 | 50 |
| M300X050Y7C | WHITE | GMH2 | |



NOTE:
1. MILLIMETER ARE IN ().



| REV | DATE | BY | CHK | APR | DESCRIPTION | ECN |
|-----|---------|-----|-----|------|---|------------|
| 2 | 3/6/19 | RVU | JW | JHAC | CHANGED MATERIAL FROM GMH2 FILM-LAM. TO TWO COLUMNS WITH YELLOW GMH12 AND WHITE GMH2. | GAECN04823 |
| 1 | 1/8/17 | RVU | JW | JHAC | REMOVED THE BLACK PRINTED TEXT ON THE FACE OF THE MATERIAL. | GAECN04454 |
| 0 | 7/28/08 | RVU | | | DRAWING RELEASE. | 5504 |

| | | | | | | | | | |
|--|--|--|--|--|------------------------|--|--|--|--|
| TITLE | | | | | P1 MARKER PLATE | | | | |
| | | | | | CUSTOMER DRAWING | | | | |
| ITEM REVISION NAME | | | | | 100743SS/08 | | | | |
| DATASET FILE NAME | | | | | 100743SS_DC_C10720/08C | | | | |
| UNLESS OTHERWISE SPECIFIED, DIMENSIONAL TOLERANCES ARE: IN [mm] | | | | | PANDUIT | | | | |
| .x ± .1 [2.54] .xxx ± .025 [.635] .xx ± .05 [1.27] ANGLES ± 5 ° | | | | | | | | | |
| DRAWN BY | | | | | MATERIAL: | | | | |
| RVU | | | | | SEE TABLE | | | | |
| DATE | | | | | DRAWING NUMBER: | | | | |
| 7/28/08 | | | | | C10720 | | | | |
| CHK | | | | | THIRD ANGLE PROJECTION | | | | |
| JHAC | | | | | | | | | |
| SCALE | | | | | SIZE | | | | |
| NTS | | | | | SHT 1 OF 1 | | | | |

D10100DA/20