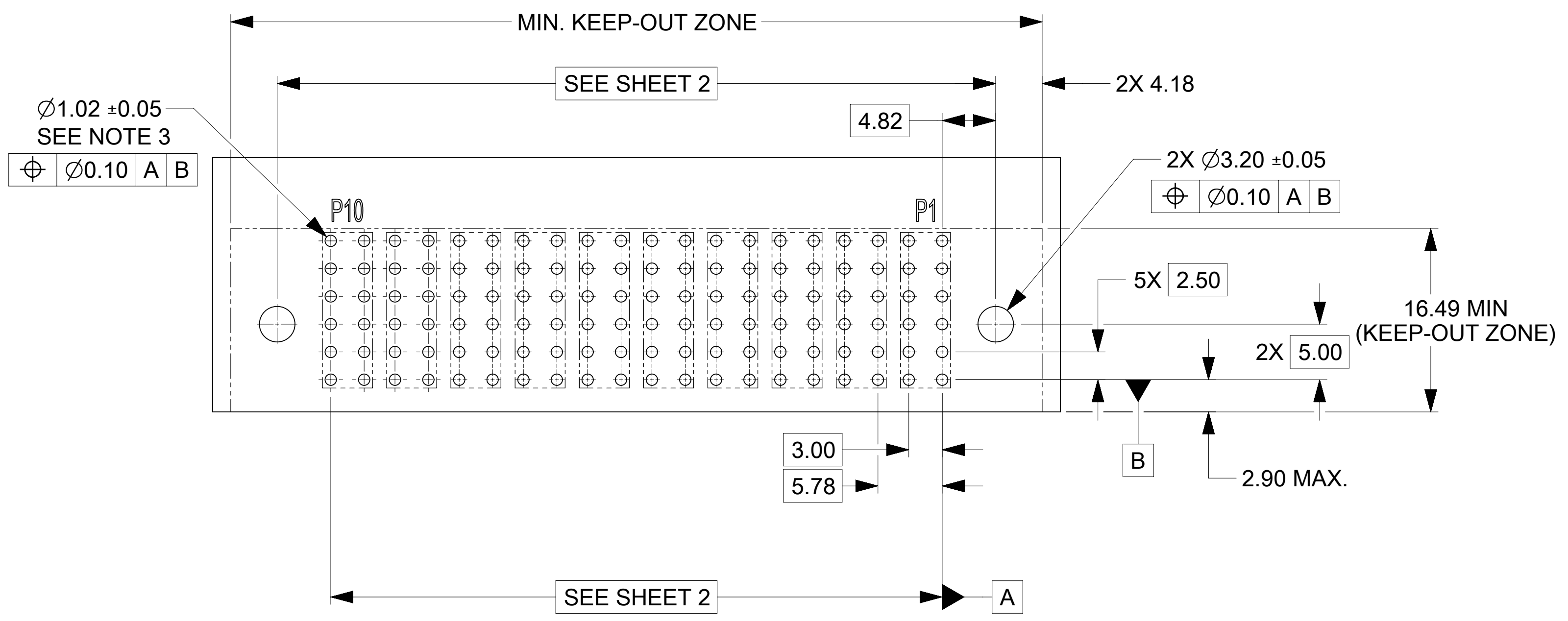


**PLUG MATED TO R/A RECEPTACLE
MATED PROFILE**

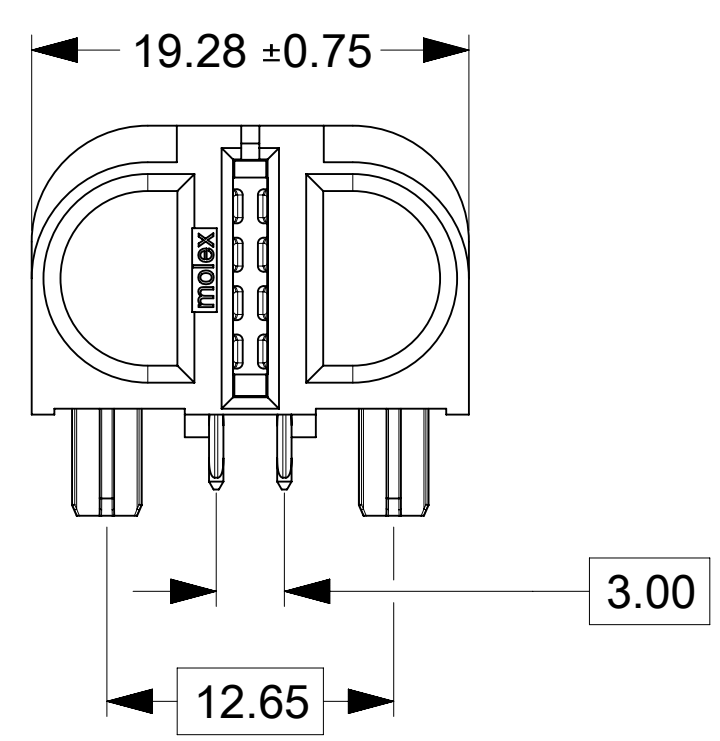


RECOMMENDED PCB LAYOUT AND KEEP-OUT ZONE

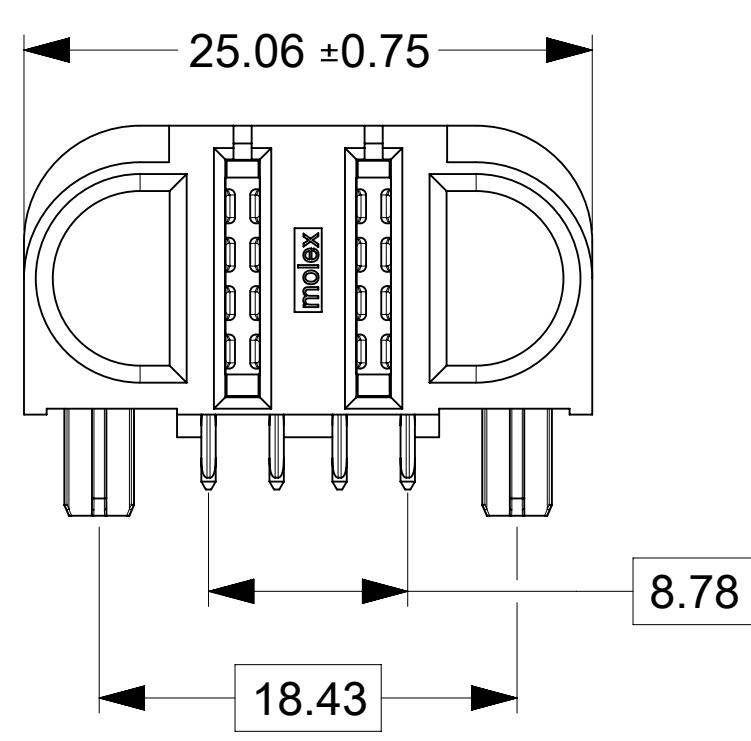
- NOTES:**
- MATERIAL:**
 - HOUSINGS: LCP UL94, V-0, COLOR : BLACK
 - TERMINALS: HIGH CONDUCTIVITY COPPER ALLOY
 - PLATING: 1.27 µm (50 µin) NICKEL OVERALL WITH 2.54 µm (100 µin) SELECTIVE TIN ON TAILS AND 0.762 µm (30 µin) SELECTIVE GOLD ON CONTACT AREA
 - PACKAGING:** ASSEMBLIES TO BE TRAY PACKED PER PACKAGING SPEC: 2141150010-PK.
 - PLATED THRU HOLE SIZE,** REFER TO PRODUCT SPEC. FOR DETAILS.
 - PRODUCT SPEC:** 2141130000-PS.
 - PRODUCT TO MEET RoHS REQUIREMENTS.**
 - VERTICAL ASSEMBLY MATES TO MOLEX PLUG 219562XXXX-SD, SEE DRAWING FOR DETAILS.**
 - TAIL DESIGN: COMPLIANT PIN.**
 - POWER TERMINALS ARE LUBRICATED.**
 - APPLICATION SPECIFICATION: 2141130000-AS (FOR COMPLIANT TAILS ONLY).**

THIS DRAWING CONTAINS INFORMATION THAT IS PROPRIETARY TO MOLEX ELECTRONIC TECHNOLOGIES, LLC AND SHOULD NOT BE USED WITHOUT WRITTEN PERMISSION									
DIMENSION UNITS	SCALE	CURRENT REV DESC:							
mm	3:1	<p>molex</p> <p>GUARDIAN HD REC POWER ONLY PF</p> <p>PRODUCT CUSTOMER DRAWING</p> <p>DOCUMENT NUMBER: 2195649000-SD DOC TYPE: PSD DOC PART: 000 REVISION: A3</p>							
GENERAL TOLERANCES (UNLESS SPECIFIED)									
ANGULAR TOL	± °								
4 PLACES	±								
3 PLACES	±								
2 PLACES	± 0.25	EC NO: 745288	2023/03/24						
1 PLACE	± 0.3	DRWN: LZABJANOVSKI	2023/04/10						
0 PLACES	±	CHK'D: JAYK1	2023/04/10						
DRAFT WHERE APPLICABLE MUST REMAIN WITHIN DIMENSIONS		THIRD ANGLE PROJECTION		DRAWING	SERIES	MATERIAL NUMBER	CUSTOMER	SHEET NUMBER	
				D-SIZE	219564	SEE CHART		1 OF 2	

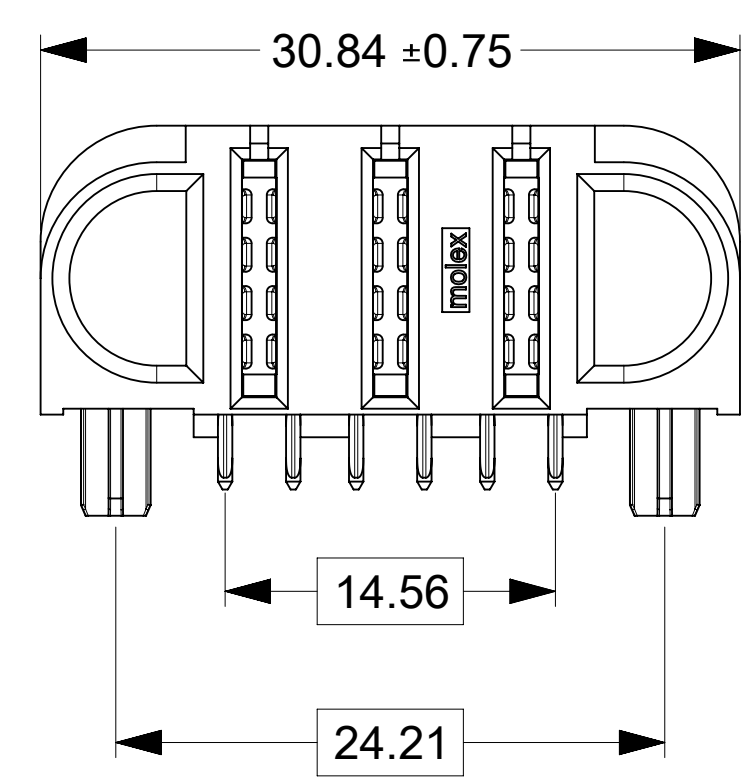
PART NUMBER	CONFIGURATION	QUANTITY PER CARTON (DU)
219564-0001	G+1P+G	195



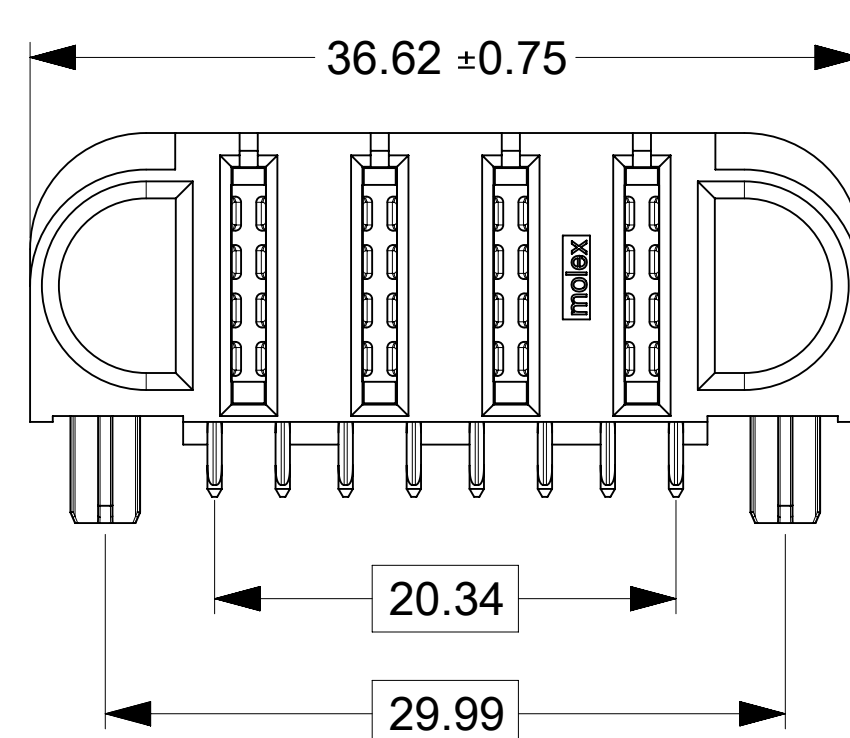
PART NUMBER	CONFIGURATION	QUANTITY PER CARTON (DU)
219564-0002	G+2P+G	150



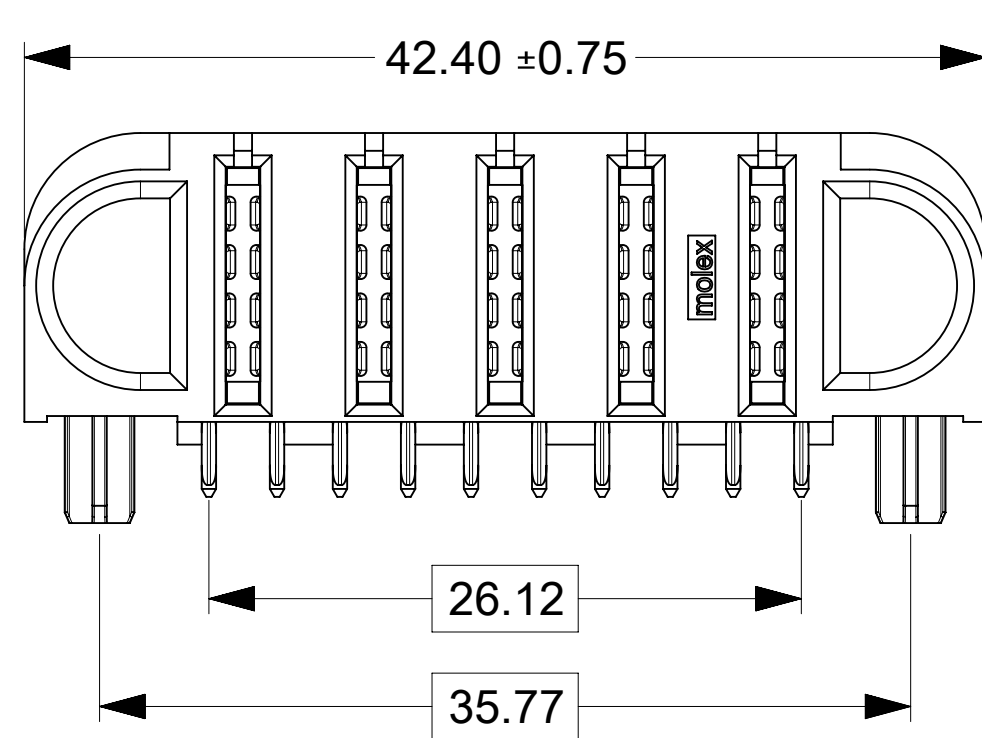
PART NUMBER	CONFIGURATION	QUANTITY PER CARTON (DU)
219564-0003	G+3P+G	120



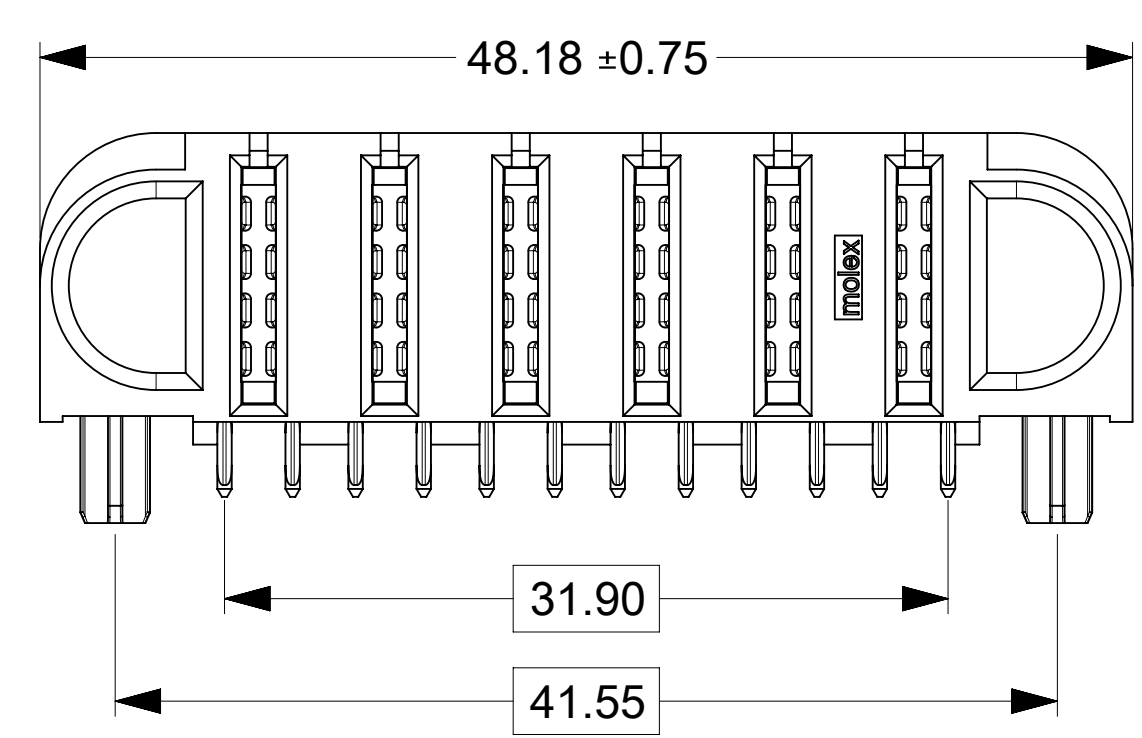
PART NUMBER	CONFIGURATION	QUANTITY PER CARTON (DU)
219564-0004	G+4P+G	105



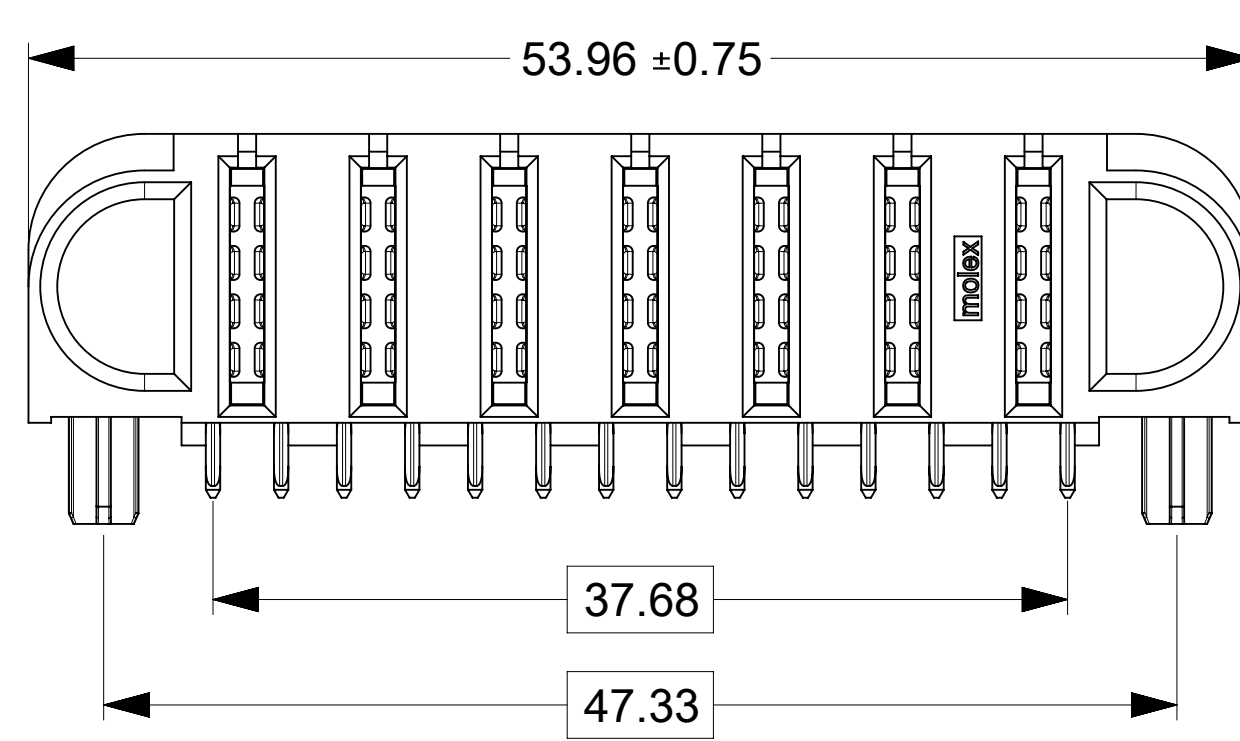
PART NUMBER	CONFIGURATION	QUANTITY PER CARTON (DU)
219564-0005	G+5P+G	90



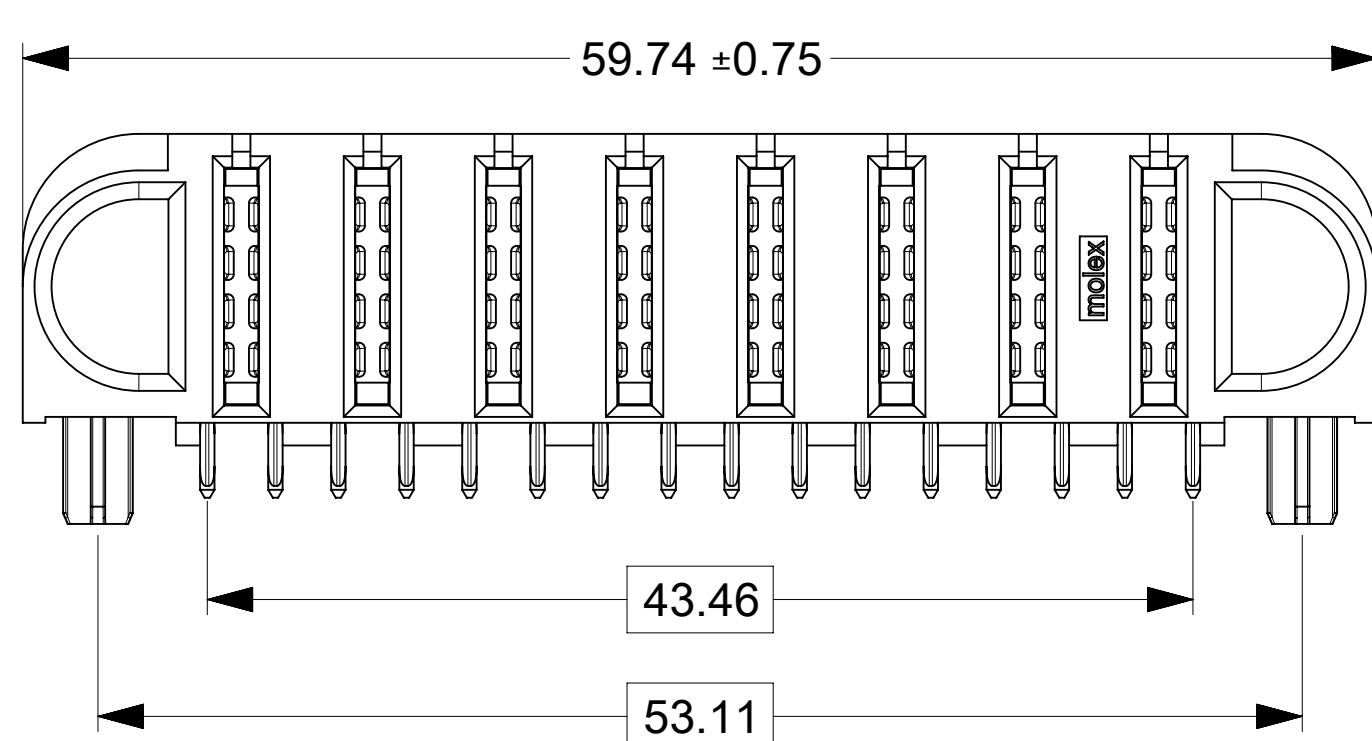
PART NUMBER	CONFIGURATION	QUANTITY PER CARTON (DU)
219564-0006	G+6P+G	75



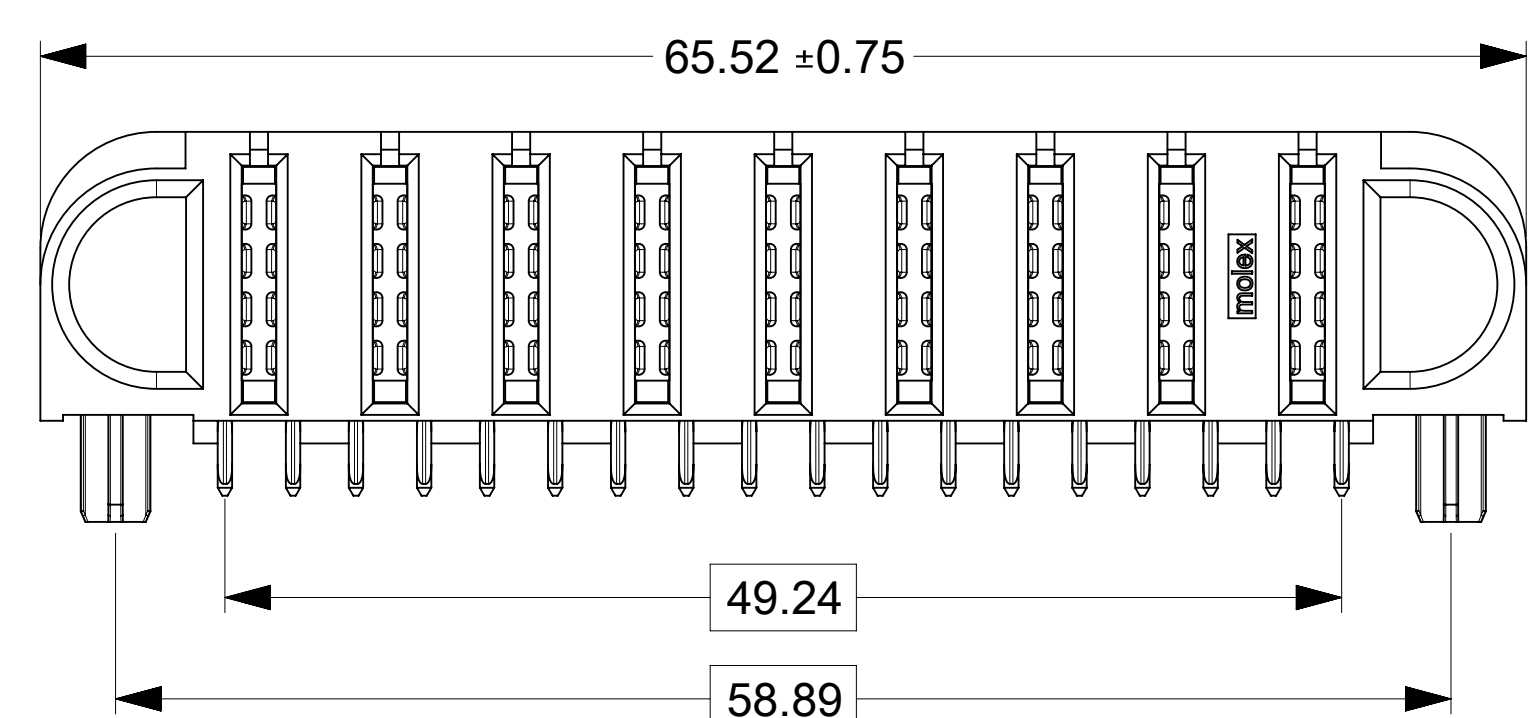
PART NUMBER	CONFIGURATION	QUANTITY PER CARTON (DU)
219564-0007	G+7P+G	60



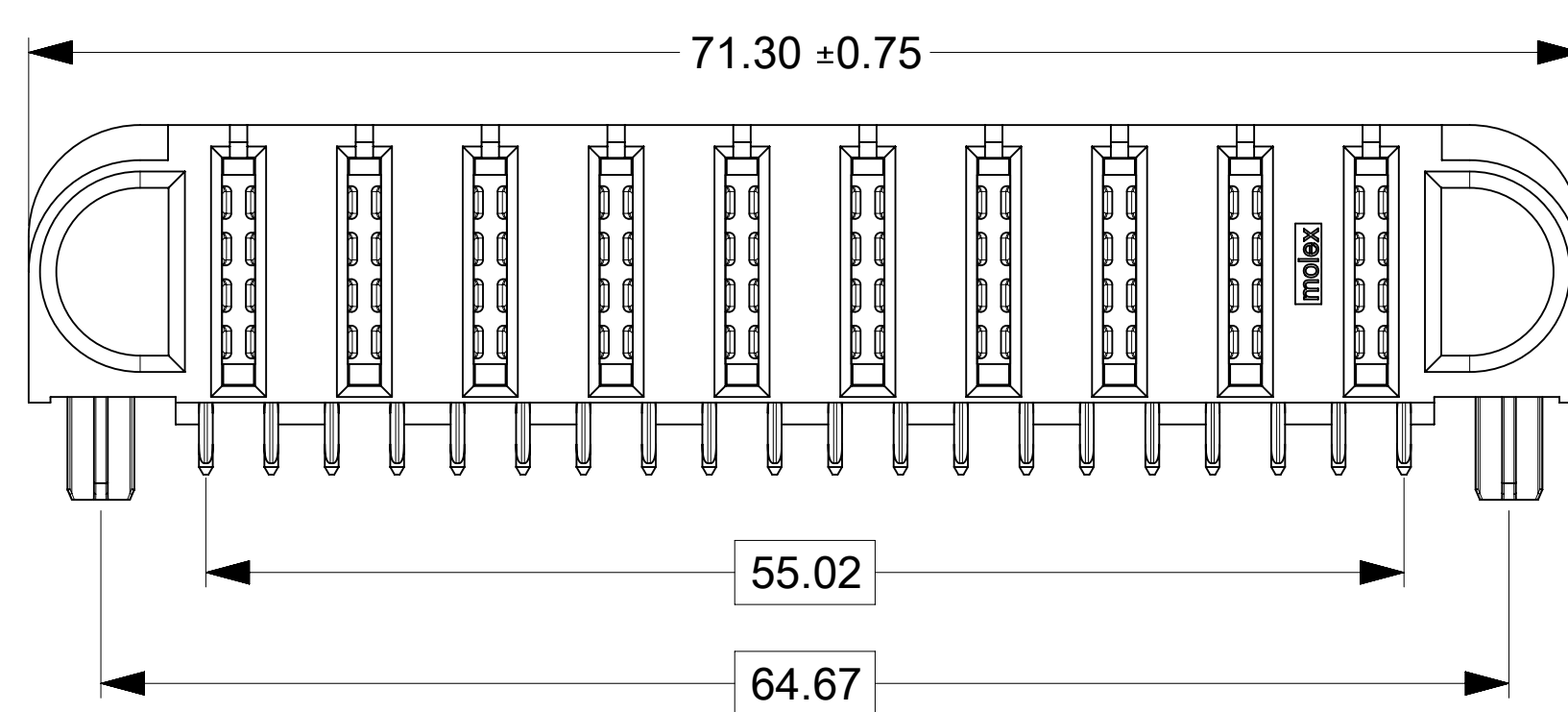
PART NUMBER	CONFIGURATION	QUANTITY PER CARTON (DU)
219564-0008	G+8P+G	60



PART NUMBER	CONFIGURATION	QUANTITY PER CARTON (DU)
219564-0009	G+9P+G	45



PART NUMBER	CONFIGURATION	QUANTITY PER CARTON (DU)
219564-0010	G+10P+G	45



THIS DRAWING CONTAINS INFORMATION THAT IS PROPRIETARY TO MOLEX ELECTRONIC TECHNOLOGIES, LLC AND SHOULD NOT BE USED WITHOUT WRITTEN PERMISSION

DIMENSION UNITS	SCALE	CURRENT REV DESC:
mm	3:1	
GENERAL TOLERANCES (UNLESS SPECIFIED)		
ANGULAR TOL	± °	
4 PLACES	±	EC NO: 745288
3 PLACES	±	DRWN: LZABJANOVSKI 2023/03/24
2 PLACES	± 0.25	CHK'D: JAYK1 2023/04/10
1 PLACE	± 0.3	APPR: JAYK1 2023/04/10
0 PLACES	±	INITIAL REVISION:
		DRWN: LZABJANOVSKI 2022/03/31
		APPR: BPISZCZOR 2022/08/04
DRAFT WHERE APPLICABLE MUST REMAIN WITHIN DIMENSIONS	THIRD ANGLE PROJECTION	DRAWING SERIES
		D-SIZE 219564
MATERIAL NUMBER		CUSTOMER
2195649000-SD		SEE CHART
DOCUMENT NUMBER		DOC TYPE DOC PART REVISION
2195649000-SD		PSD 000 A3
SHEET NUMBER		
2 OF 2		

DOCUMENT STATUS	P1	RELEASE DATE	2023/04/11	17:06:07
-----------------	----	--------------	------------	----------