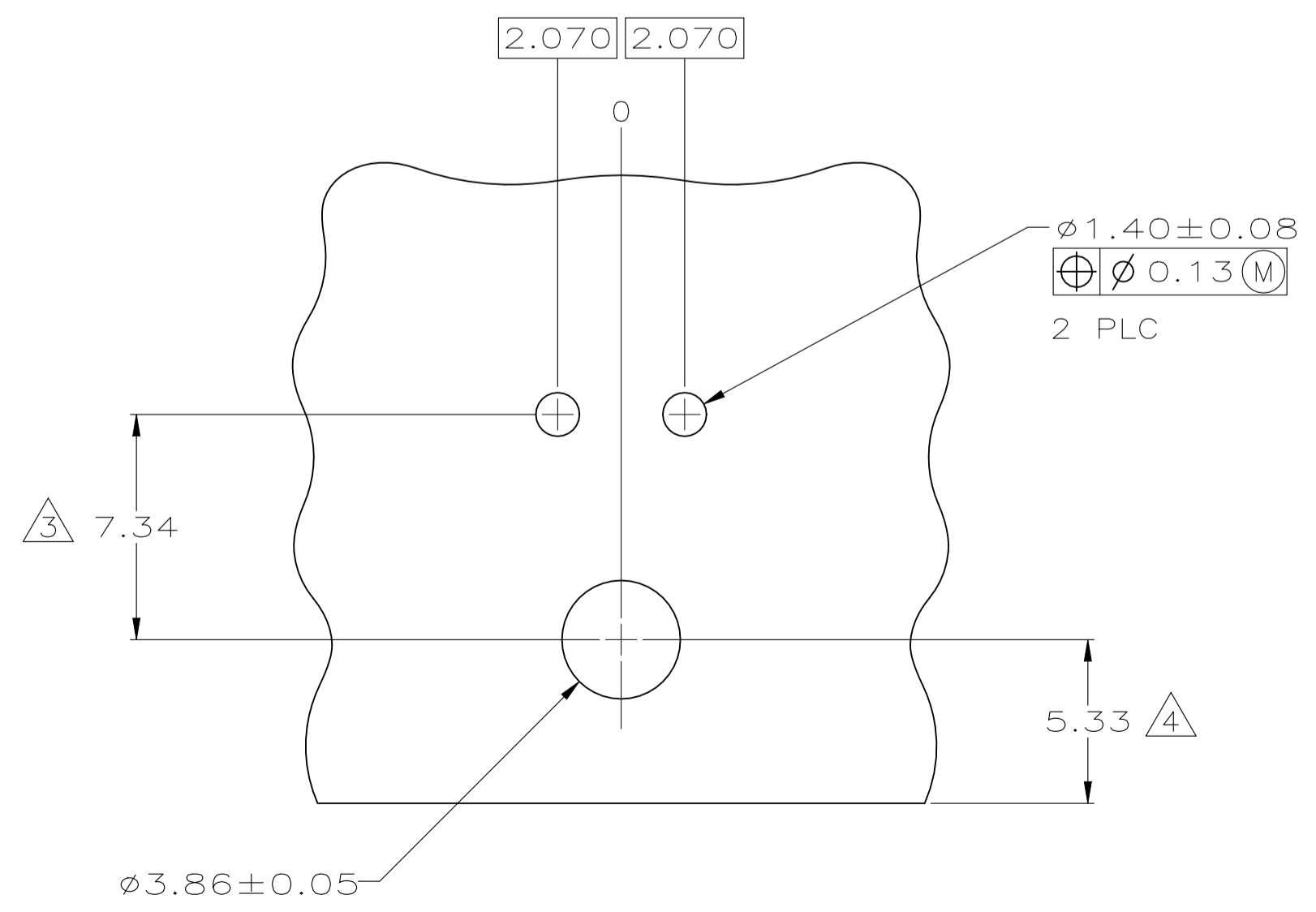
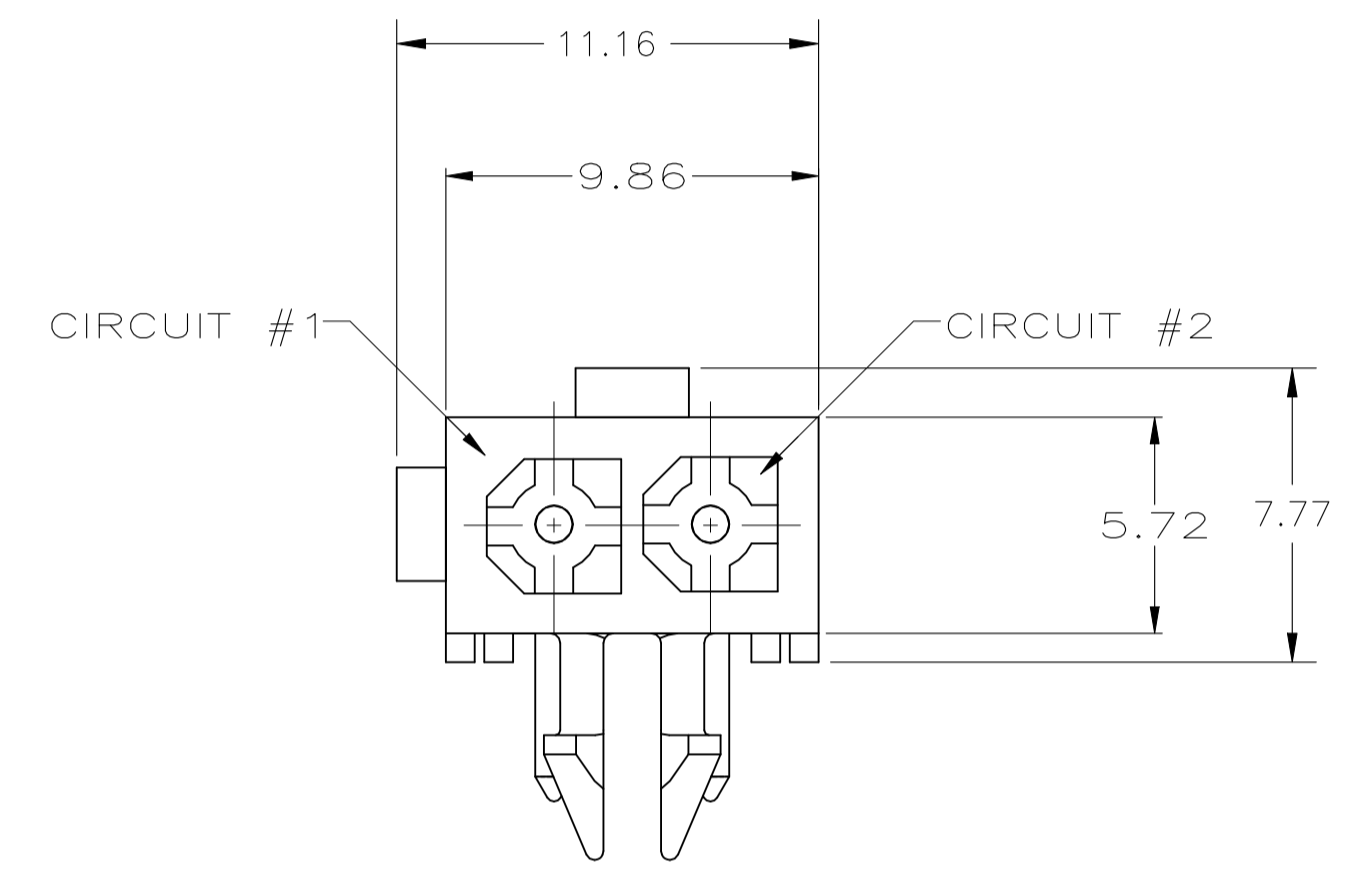
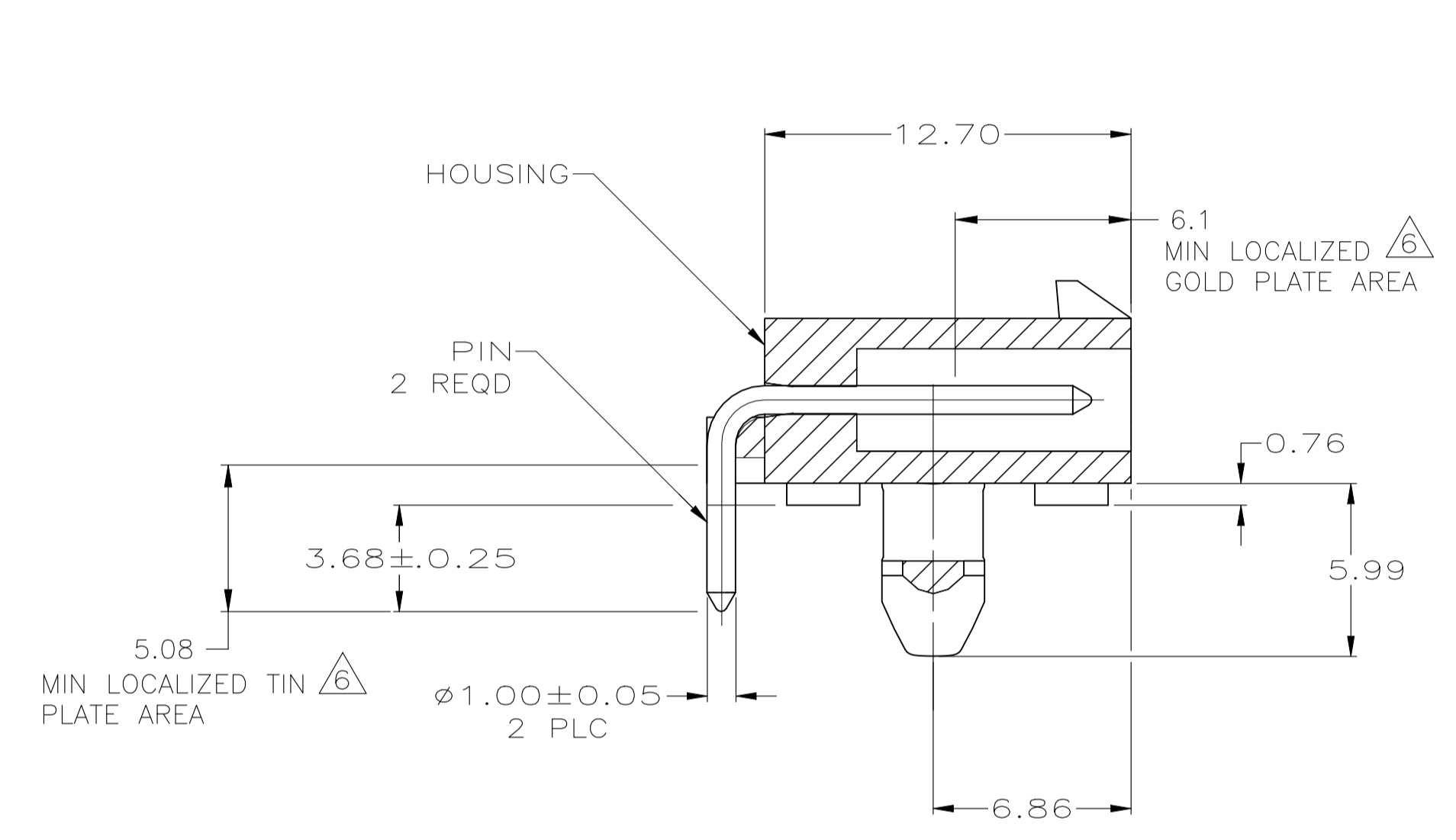


| REVISIONS | | | | | |
|-----------|---------------------------|-----------|----|-------|--|
| REV | DESCRIPTION | DATE | BY | APP'D | |
| C2 | REVISED PER ECR-23-177423 | 07JUN2023 | JP | VS | |



| MM | IN | MM | IN |
|---------|----------|-------|------|
| 2.070 | .0815 | - | - |
| 1.57 | .062 | 12.70 | .500 |
| 1.40 | .055 | 9.86 | .388 |
| 1.00 | .039 | 7.34 | .289 |
| 0.76 | .030 | 6.86 | .270 |
| 0.25 | .010 | 6.10 | .240 |
| 0.13 | .005 | 5.99 | .236 |
| 0.08 | .003 | 5.72 | .225 |
| 0.05 | .002 | 5.33 | .210 |
| 0.0038 | 0.000150 | 5.08 | .200 |
| 0.00127 | 0.000050 | 3.86 | .152 |
| 0.00076 | 0.000030 | 3.68 | .145 |
| MM | IN | MM | IN |

CONVERSION TABLE

RECOMMENDED MOUNTING HOLE PATTERN FOR 1.57 THICK P.C. BOARD

- PINS TO COMPLY WITH AMP SOLDERABILITY SPEC 109-11-3.
- MATES WITH PLUG P/N 1586615-1.
- COORDINATE DIMENSION APPLIES FROM CENTER OF ACTUAL FEATURE.
- RECOMMENDED FOR EDGE MOUNTING.
- 0.00381 MIN MATTE TIN OVER 0.00127 MIN NICKEL ENTIRE LENGTH OF PIN.
- 0.00076 MIN GOLD PLATE IN THE LOCALIZED GOLD PLATE AREA 0.00381 MIN MATTE TIN IN THE LOCALIZED TIN PLATE AREA, BOTH OVER 0.00127 MIN NICKEL.

| | | | | | |
|----------|----------|--------|----------------|-------|-----------|
| OBsolete | BRASS | 6 | NYLON, UL94V-0 | WHITE | 1586608-2 |
| | BRASS | 5 | NYLON, UL94V-0 | WHITE | 1586608-1 |
| | MATERIAL | FINISH | MATERIAL | COLOR | PART NO. |
| | PIN | | HOUSING | | |

THIS DRAWING IS A CONTROLLED DOCUMENT.

| | | | |
|----------------|--|---------------------------|-----------------|
| DIMENSIONS: mm | TOLERANCES UNLESS OTHERWISE SPECIFIED: | DIN K. WHITAKER 08APR2005 | TE Connectivity |
| 0 PLC ± | 1 PLC ± | CHK C. JONES 08APR2005 | NAME |
| 2 PLC ± | 3 PLC ± 0.13 | APPRO C. JONES 08APR2005 | PRODUCT SPEC |
| 4 PLC ± | ANGLES ± | APPLICATION SPEC | SIZE |
| SEE TABLE | FINISH | WEIGHT | CAGE CODE |
| | | | DRAWING NO |
| | | | RESTRICTED TO |
| | | | SCALE |
| | | | SHEET |
| | | | REV |

CUSTOMER DRAWING