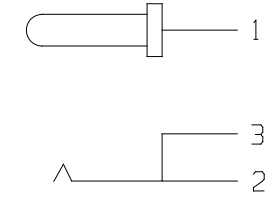
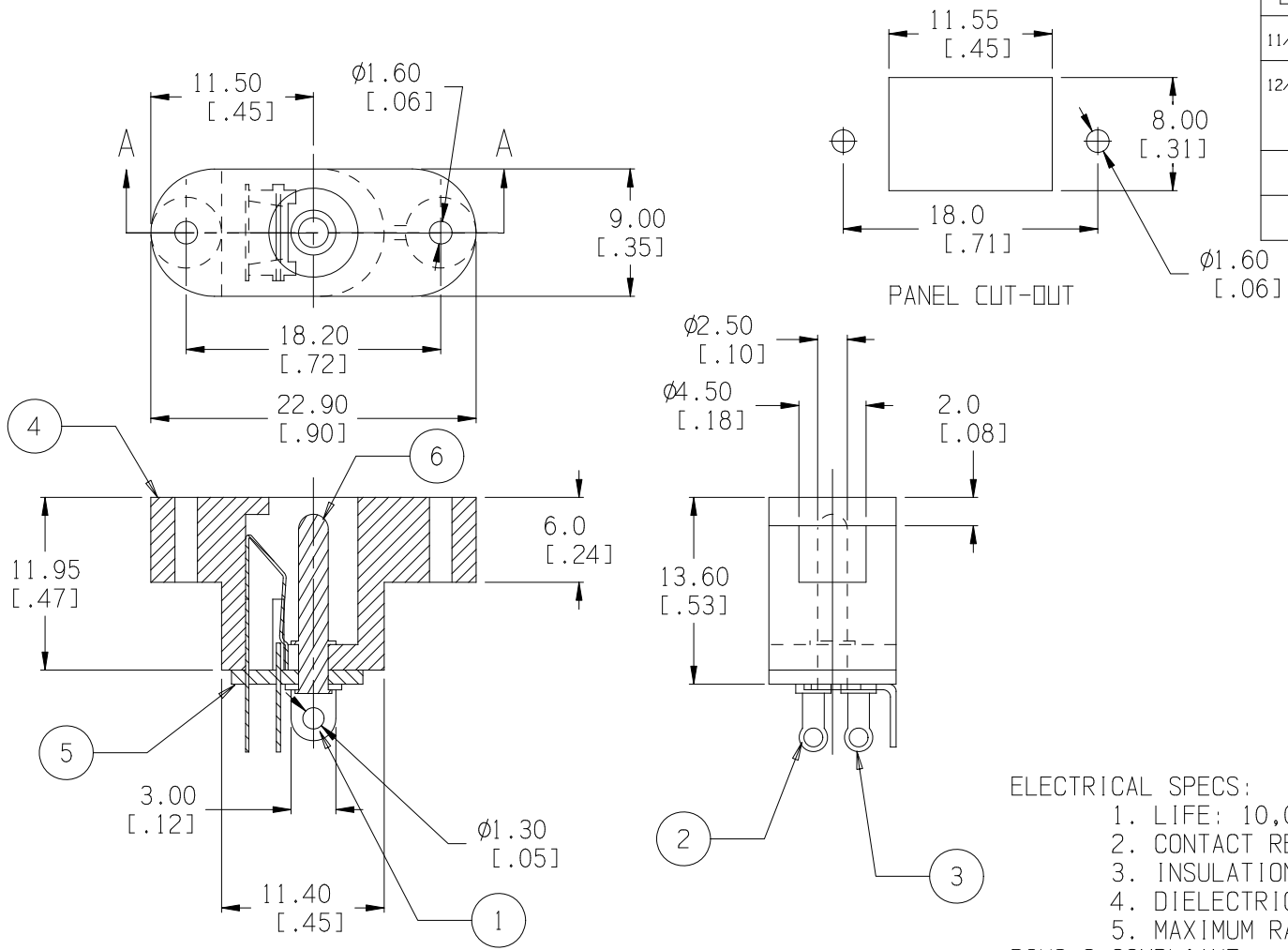


Date	SYM	REVISION RECORD	AUTH	DR.	CK.
11/14/14	C	INSULATOR MATL. WAS BAKELITE	T.B.	B.S.	
12/19/14	D	DIM. 18.20 WAS 18.00 DIM. 22.90 WAS 23.00 DIM. 11.95 WAS 12.00	T.B.	B.S.	



SCHEMATIC DIAGRAM

ELECTRICAL SPECS:
 1. LIFE: 10,000 INSERTION/WITHDRAWAL CYCLE MINIMUM
 2. CONTACT RESISTANCE: 50mΩ MAXIMUM
 3. INSULATION RESISTANCE: 1000mΩ MINIMUM
 4. DIELECTRIC WITHSTANDING VOLTAGE: 500VAC MAXIMUM
 5. MAXIMUM RATING: 5A, 12V DC
 ROHS 2 COMPLIANT

ITEM NO.	PART NAME	MATL. SPECIFICATION	Tolerance (Inches)	MPD Memory Protection Devices, Inc. 200 Broad Hollow Road, Farmingdale, New York 11735			
1	PIN TERMINAL	0.4 THK BRASS, SILVER PLTD.	Decimal	Scale	Drawn By B.S.		
2	SLEEVE SPRING	0.2 THK PHOSPHORSCENT BRONZE, SILVER PLTD.			Approved By T.B.		
3	BREAK TERMINAL	0.3 THK BRASS, SILVER PLTD.	Fractional ± .8 (.030)	Title DC JACK - PANEL MOUNT TYPE			
4	HOUSING	BLACK, P.B.T.		Angular ± 3°	Date 12/19/14	Drawing Number EJ505B	
5	INSULATOR	BLACK, P.B.T.					
6	PIN (Ø2.5)	COPPER, NICKLE PLTD.					