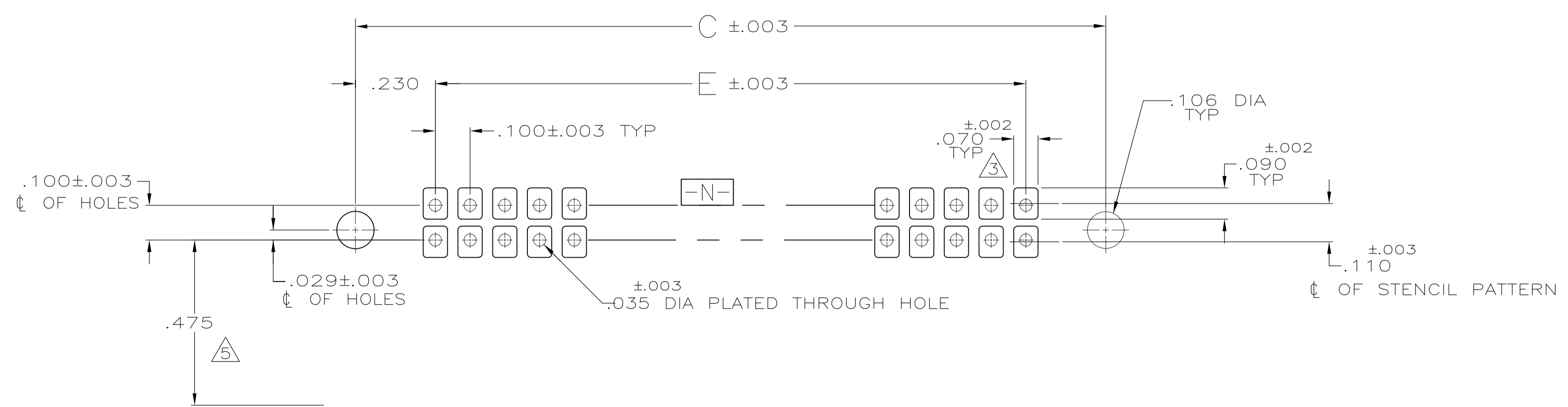
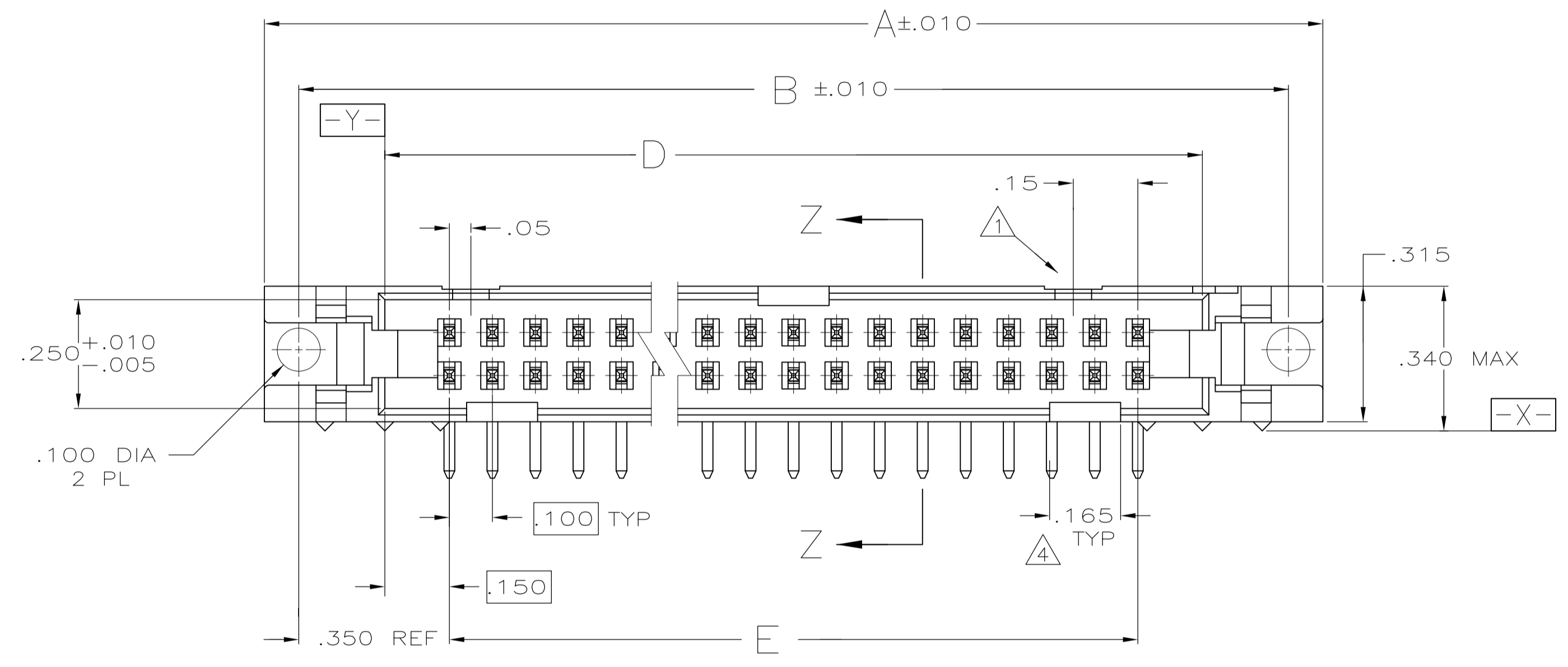
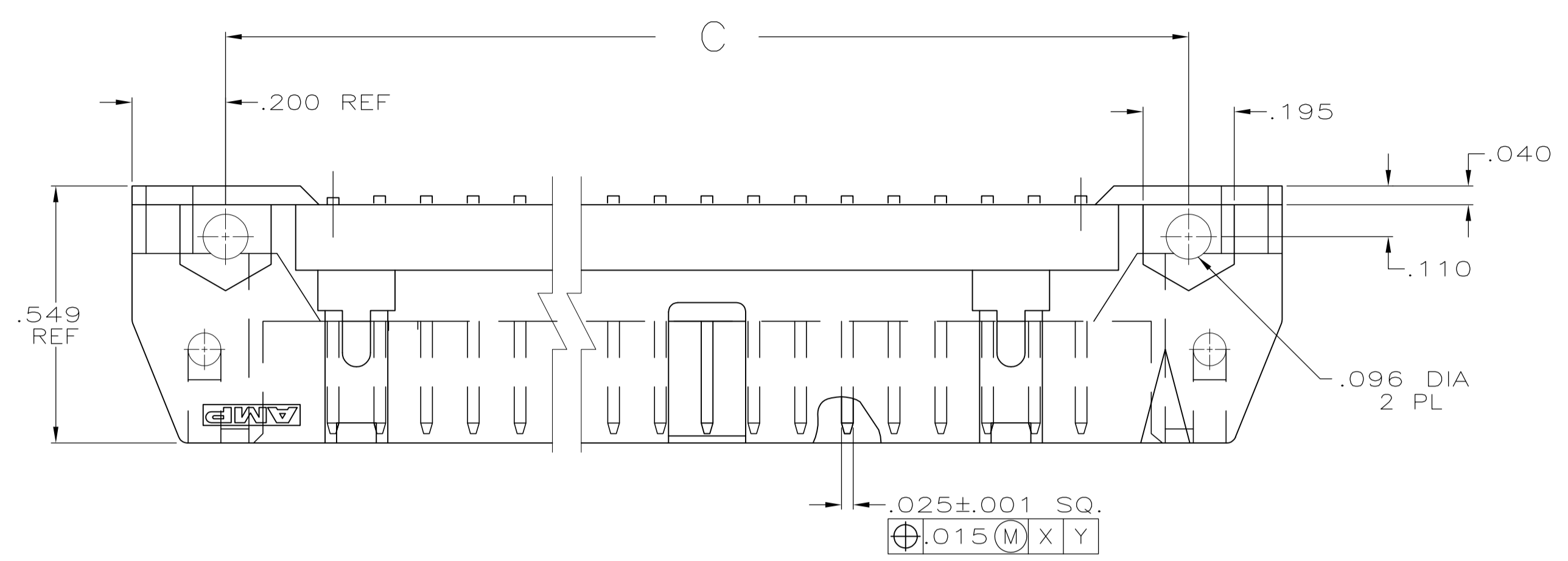
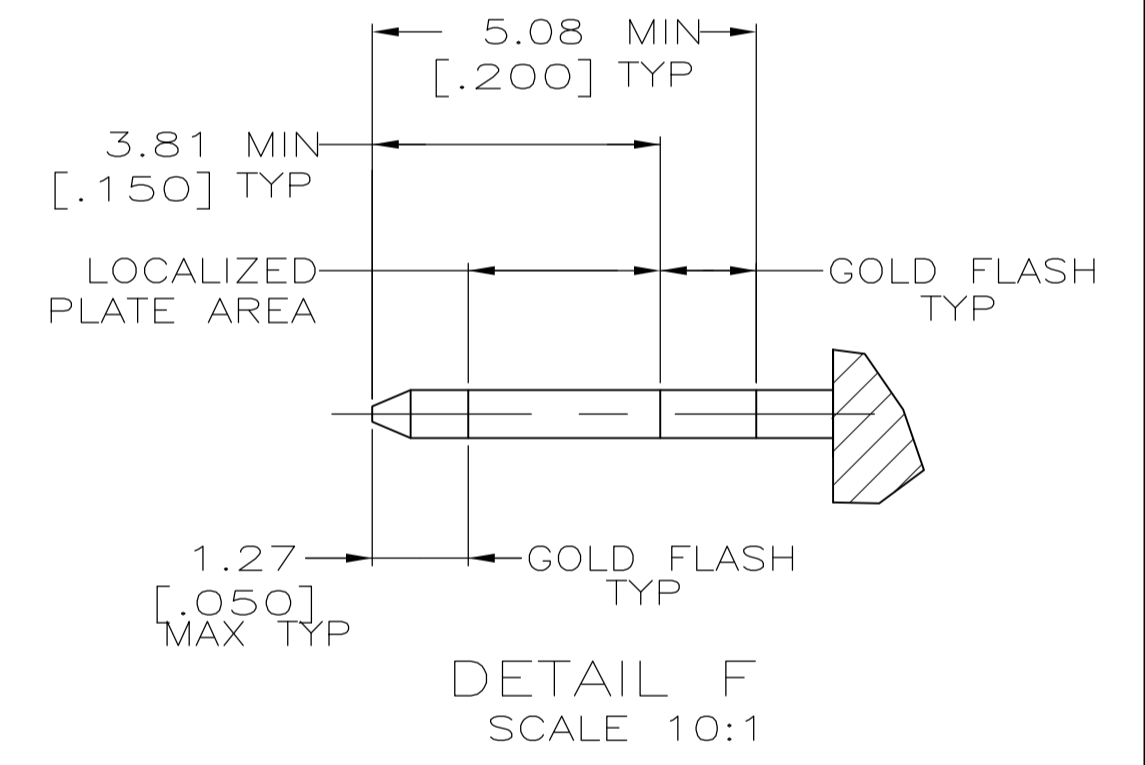
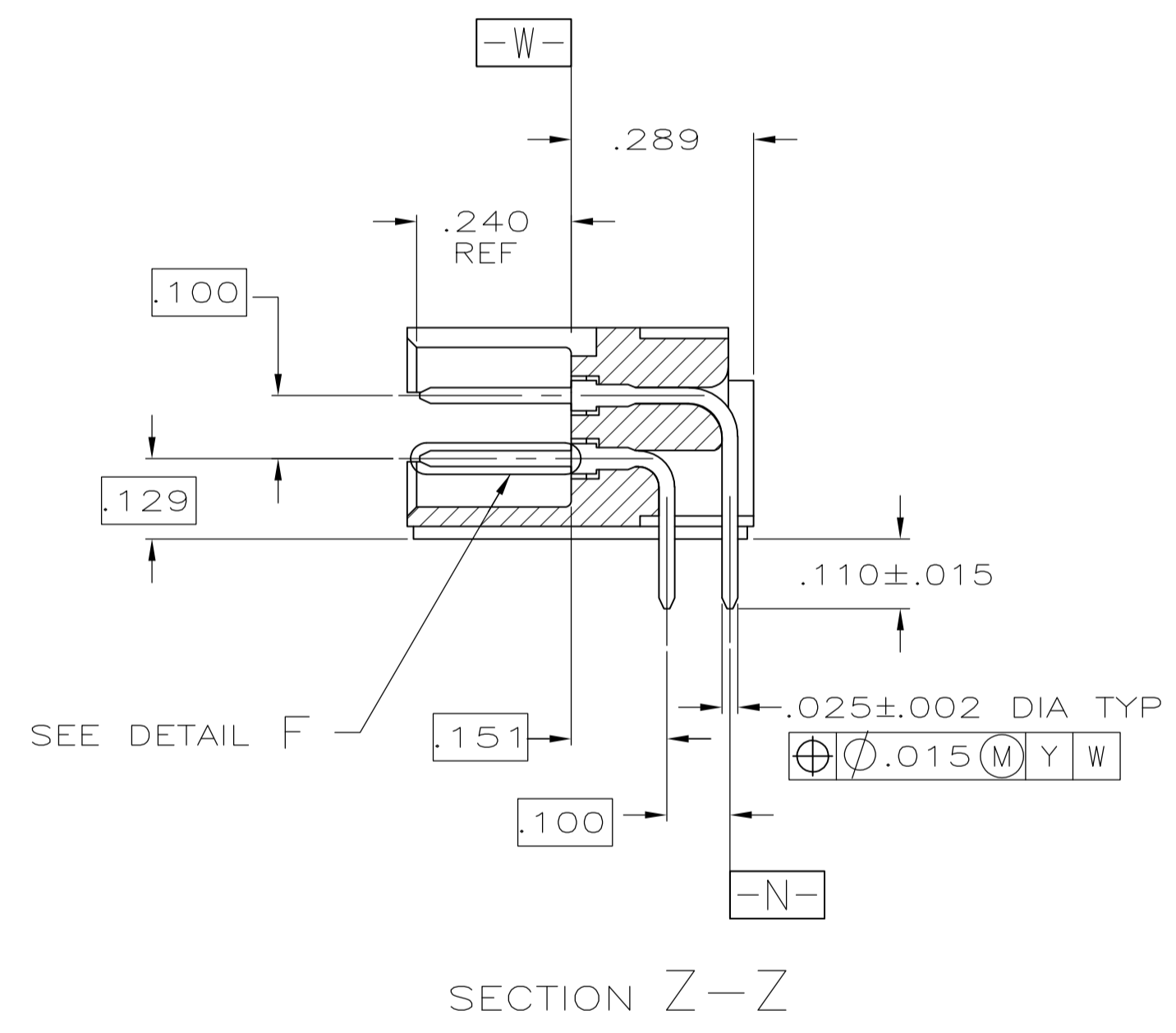


REVISIONS					
P	LTR	DESCRIPTION	DATE	DMN	APVO
J1		REVISED PER ECO-17-006767	02JUN2017	IT	WH



RECOMMENDED P C BOARD MOUNTING DIMENSIONS

- 1 NO SNAP-IN POLARIZING FEATURE ON THIS END FOR 10 & 14 POS. HEADERS.
- 2 POST: GOLD FLASH OVER PALLADIUM-NICKEL PLATE, .000030 MIN TOTAL ON THE LOCALIZED PLATE AREA, .000100 MIN TIN-LEAD PLATE ON THE SOLDER-TAIL, .000050 MIN NICKEL UNDERPLATE ON THE ENTIRE POST.
-OR-
.000030 MIN GOLD PLATE ON THE LOCALIZED PLATE AREA, .000100 MIN TIN-LEAD PLATE ON THE SOLDER-TAIL, .000050 MIN NICKEL UNDERPLATE ON THE ENTIRE POST.
- 3 RECOMMENDED STENCIL THICKNESS EQUALS .010
- 4 FOR 10 POS.HEADER ONLY, ONE SLOT LOCATED AS SHOWN.
- 5 MAXIMUM DISTANCE FROM EDGE OF PC BOARD FOR DAISY CHAIN APPLICATIONS
- 6 OBSOLETE PARTS: OBSOLETE CIS STREAMLINING PER D.RENAUD/D.SINISI



	E	D	C	B	A	NO OF POSN	PART NUMBER
1	2.100	2.400	2.560	2.80	2.96	44	1-111105-3
2	3.100	3.400	3.560	3.80	3.96	64	1-111105-2
3	2.900	3.200	3.360	3.60	3.76	60	1-111105-1
4	2.400	2.700	2.860	3.10	3.26	50	1-111105-0
5	1.900	2.200	2.360	2.60	2.76	40	1-111105-9
6	1.600	1.900	2.060	2.30	2.46	34	1-111105-8
7	1.400	1.700	1.860	2.10	2.26	30	1-111105-7
8	1.200	1.500	1.660	1.90	2.06	26	1-111105-6
9	1.100	1.400	1.560	1.80	1.96	24	1-111105-5
10	.900	1.200	1.360	1.60	1.76	20	1-111105-4
11	.700	1.000	1.160	1.40	1.56	16	1-111105-3
12	.600	.900	1.060	1.30	1.46	14	1-111105-2
13	.400	.700	.860	1.10	1.26	10	111105-1

THIS DRAWING IS A CONTROLLED DOCUMENT.

DIMENSIONS: INCHES	TOLERANCES UNLESS OTHERWISE SPECIFIED:	DIN J. GROF 5-28-86	APVO B. STEPHENSON 6-5-86	NAME
0 PLC ± -	1 PLC ± -	2 PLC ± -	3 PLC ± .005	4 PLC ± -
ANGLES ± -	FINISH	APPROVED	DATE	REVISION
MATERIAL: MOLDED PARTS: 94V-0 RATED THERMOPLASTIC, RED POSTS: BRASS	WEIGHT: 0.000000	SIZE: A1	CAGE CODE: 00779	DRAWING NO: 111105
CUSTOMER DRAWING		SCALE: 4:1	SHEET: 1 of 1	REV: J1

STE TE Connectivity
AMP-LATCH UNIVERSAL HEADER, .025 SQ POST, .100 X .100 CL, RIGHT ANGLE.