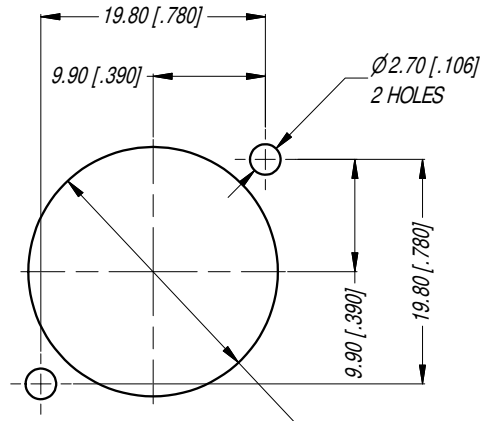


PCB LAYOUT

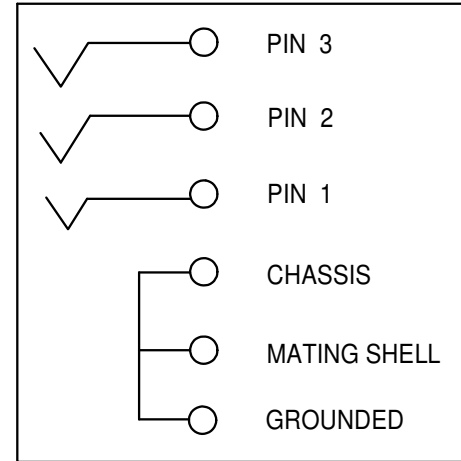
TOLERANCE: ± 0.05 [± .002]

NOTES: DIMENSIONS IN PARENTHESES ARE IN INCHES.

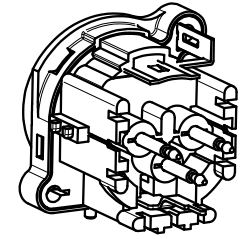
NOTE: SUFFIX "B" IN THE PART No. INDICATES BULK PACK



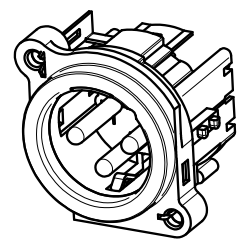
PANEL CUT OUT
REAR VIEW



SCHEMATIC CHART



3D VIEW (1:1)



REV	DESCRIPTION	DATE	BY	CHG No
2	ADD SUFFIX B TO PART No.	27/08/15	T.N	9318
1	ADD SCHEMATIC CHART	06/26/09	A.O	8793
0	FIRST ISSUE	03/09/07	T.N	8686

REVISION HISTORY

UNLESS OTHERWISE SPECIFIED TOLERANCE TO BE:		THIS DOCUMENT IS THE PROPERTY OF AMPHENOL AUSTRALIA PTY. LTD. NO PART THEREOF MAY BE REPRODUCED AND USED WITHOUT THE PRIOR WRITTEN CONSENT OF THE OWNER			
LINEAR	ANGULAR	CAD FILE	DRN:	DATE:	
X ± 0.5	X° ± 1	55010484000211	T.N	04/09/07	
X.X ± 0.1	X.X° ± 30°	MATL:	REFER TO COMPONENTS	CKD:	P.M
X.XX ± 0.05	X.XX° ± 15°	FINISH:	REFER TO COMPONENTS	APPD:	P.M
BREAK ALL SHARP EDGES AND REMOVE ALL BURRS		DO NOT SCALE	SCALE:	DATE:	06/26/09
DIMENSIONS IN MILLIMETRES		THIRD ANGLE PROJECTION	SCALE: 1.5:1	DATE:	06/26/09

TITLE:
**XLR MALE
B TYPE CONNECTOR
CUSTOMER DWG**

Amphenol
Amphenol Australia Pty.Ltd. 2 Fiveways Blvd. Keysborough, Vic3173
DRAWING NO. 55010484-000-2 SHEET 2/2

PART No:	AC3MBV2-AU-B	SIZE:	A4
----------	--------------	-------	----