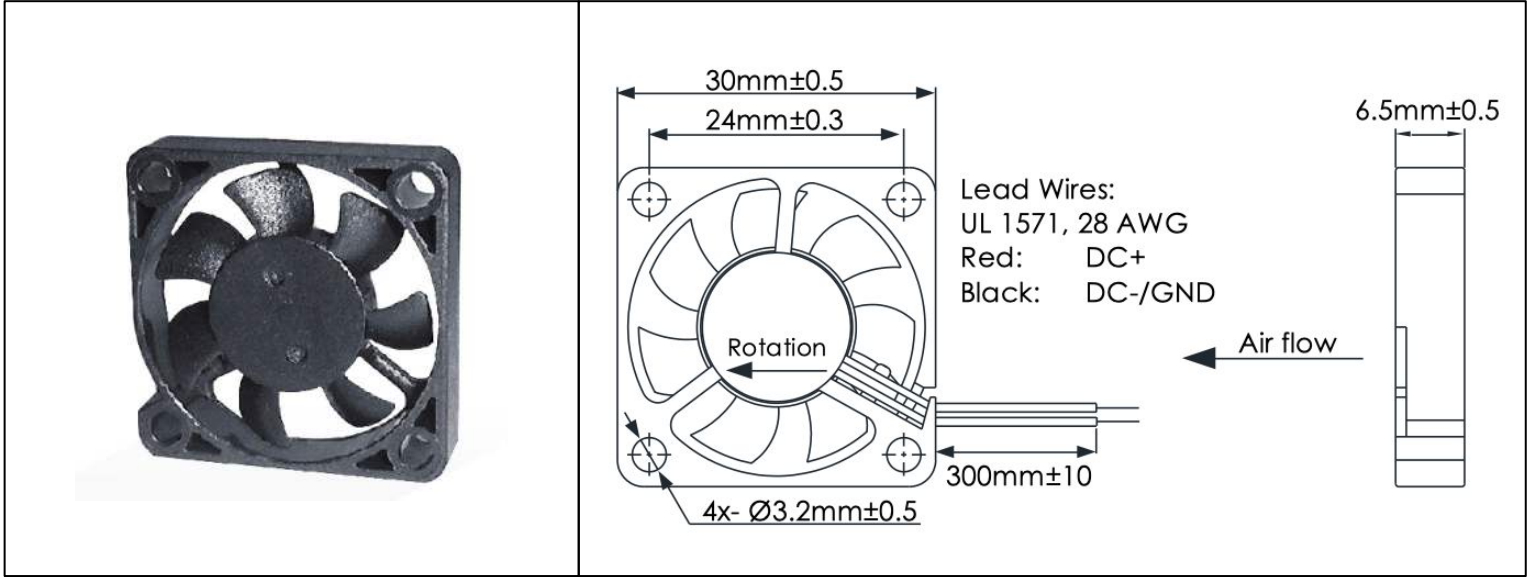


OD3006-05LSS



DC Fan, 5V
30 x 7mm (1.18" x 0.28")



Frame	PBT UL94 V-0 Plastic	<u>Operating Temperature</u> -10°C ~ +70°C <u>Storage Temperature</u> -40°C ~ +70°C <u>Life Expectancy</u> 50,000 hours (L10 at 25°C) Weight: 0.01 lbs	
Impeller	PBT UL94 V-0 Plastic		
Connection	2x Wire Leads, 28 AWG		
Motor	Brushless DC, Auto Cutoff, Auto Restart, Electronically Protected		
Bearing System	Sealed Sleeve		
Dielectric Strength	500VAC/min, <1mA		
Insulation Resistance	10M ohm between lead wires and frame (500 VDC)		

Part Number	OD3006-05LSS
Rated Voltage	5 VDC
Voltage Range	4.5 ~ 5.5
Input Power	0.45 W
Rated Current	0.09 A
Rated Speed (RPM)	7450
Airflow (CFM)	2.3
Noise Level (dB)	25
Max. Static Pressure	0.09" H ₂ O