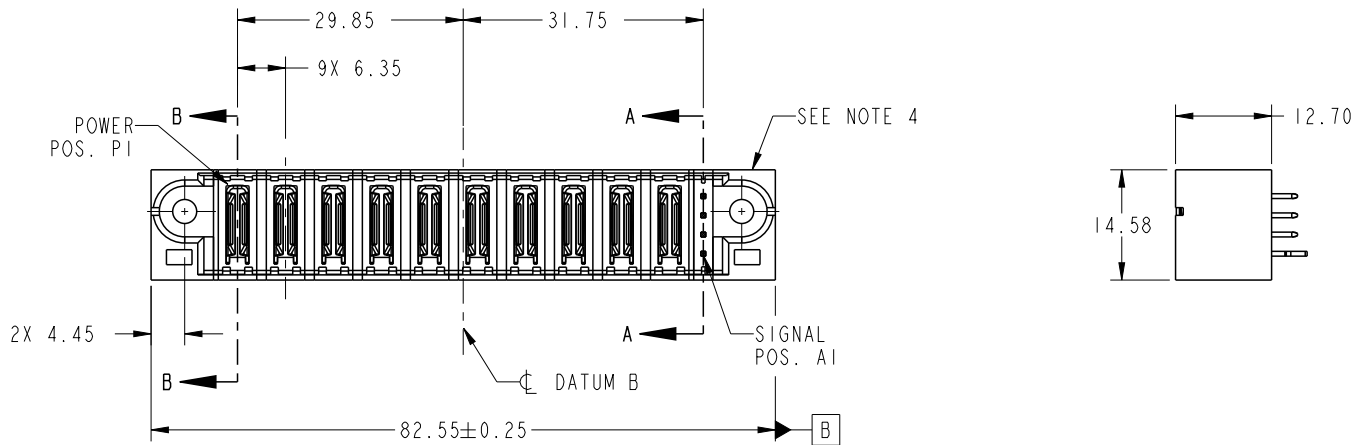


PRODUCT NO.	ROWS	POWER										SIGNAL		
		E1	P1	P2	P3	P4	P5	P6	P7	P8	P9	P10	1	E2
51952-195-- NOTE ③	DCBA													



CODE	DIM "M" MATING LENGTH	CONTACT TYPE
PA	[N/A]	POWER
E	[6.86]	SIGNAL
HA	[N/A]	HOLD-DOWN

spec ref	See Notes		dr	Hong-Tu, Zhang	2011/08/15	projection 	MM 	size	A4	scale	1:1
tolerance std	TOLERANCES UNLESS OTHERWISE SPECIFIED		eng	Guang, Shi	2011/08/26			ecn no	-		
See Notes			chr	-	-			rel level	Released		
surface	linear	0.X	±0.50		title	10P + 4S	dwg no	51952-195	rev	A	
		0.XX	±0.25								
		0.XXX	±0.10								
	angular	0°	±2°	www.fci.com	cat. no.	-	Product - Customer Drw	sheet 1 of 4			



Copyright FCI.

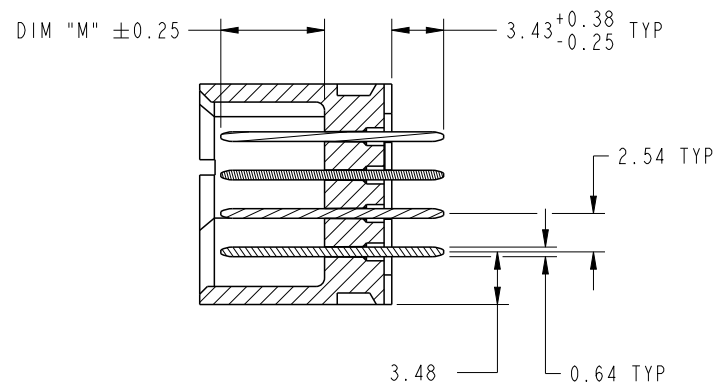
PrdE File - REV C - 2009-06-09

A

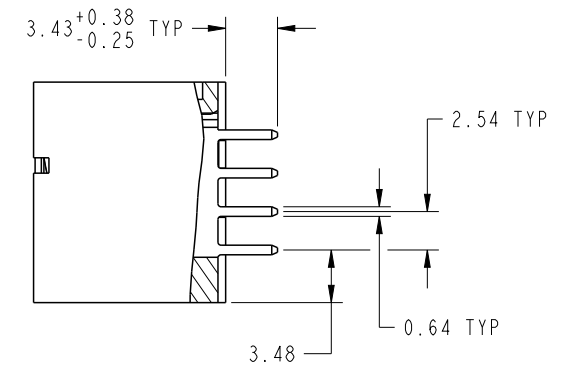
B

C

D



SECTION A-A
SCALE 2:1



SECTION B-B
SCALE 2:1

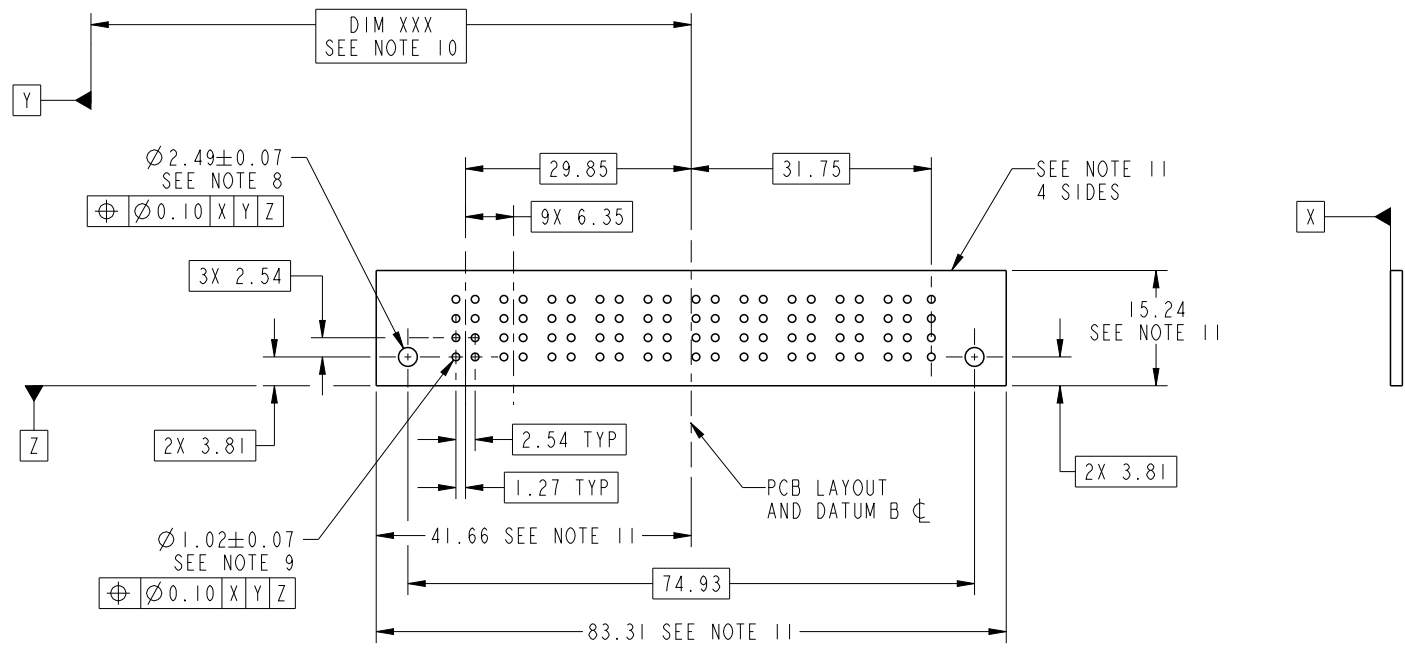


Copyright FCI.

spec ref		See Notes		dr	Hong-Tu, Zhang	2011/08/15	projection 	MM 	size	A4	scale	1:1	
tolerance std		TOLERANCES UNLESS OTHERWISE SPECIFIED		eng	Guang, Shi	2011/08/26			ecn no	-			
See Notes				chr	-	-			rel level		Released		
surface	✓	linear	0.X	±0.50		title	10P + 4S VERTICAL SOLDER HEADER		dwg no	51952-195		rev	A
			0.XX	±0.25									
			0.XXX	±0.10									
		angular	0°	±2°	www.fci.com	cat. no.	-	Product - Customer Drw		sheet 2 of 4			



Copyright FCI.



RECOMMENDED PCB LAYOUT

spec ref	See Notes			dr	Hong-Tu, Zhang	2011/08/15	projection 	MM ←→	size	A4	scale	1:1	
tolerance std	TOLERANCES UNLESS OTHERWISE SPECIFIED			eng	Guang, Shi	2011/08/26			ecn no	-			
See Notes				chr	-	-							
surface	linear	0.X	±0.50	appr	Pei-Ming Zheng	2011/09/08	product family	PwrBlade		rel level	Released		
		0.XX	±0.25				title	10P + 4S		dwg no	51952-195	rev	A
		0.XXX	±0.10				cat. no.	-	Product - Customer Drw				
	angular	0°	±2°	www.fci.com				Product - Customer Drw		sheet 3 of 4			

PrdE File - REV C - 2009-06-09

NOTES:

1. DIMENSIONS AND TOLERANCES ARE IN ACCORDANCE WITH ASME Y14.5M, 1994 UNLESS OTHERWISE SPECIFIED.

CONNECTOR NOTES:

- ② HOUSING MATERIAL: UL 94 V-0 GLASS FILLED HIGH-TEMP THERMOPLASTIC
POWER CONTACT MATERIAL: COPPER ALLOY
SIGNAL PIN MATERIAL: COPPER ALLOY
- 3. SEE ITEM 1 & 2 IN PRINT 10064183 FOR PLATING SPEC OF 51952-195 AND 51952-195LF RESPECTIVELY.
- ④ MANUFACTURER'S NAME, DATE CODE AND OPTIONAL P/N TO APPEAR ON THIS SURFACE. THE P/N CAN BE OMITTED IF THERE IS NOT ENOUGH SPACE ON THIS SURFACE.
- 5. PRODUCT SPECIFICATION GS-12-149.
APPLICATION SPECIFICATION BUS-20-067.
- 6. PACKAGED IN TRAYS.

PCB NOTES:

- 7. ALL HOLE DIAMETERS ARE FINISHED HOLE SIZE.
- 8. MOUNTING HOLES, WHERE APPLICABLE, ARE UNPLATED.

⑨ $\varnothing 1.151 \pm 0.025$ DRILLED HOLES PLATED WITH 0.008 MIN SnPb OR Sn OVER .001 [0.03] TO 0.08 Cu PLATING TO ACHIEVE $\varnothing 1.02 \pm 0.07$ HOLE.

⑩ "DIM XXX" TO BE DETERMINED BY THE CUSTOMER.

⑪ CONNECTOR KEEP-OUT ZONE.



Copyright FCI.

spec ref		See Notes		dr	Hong-Tu, Zhang	2011/08/15	projection 	MM 	size	A4	scale	1:1	
tolerance std		TOLERANCES UNLESS OTHERWISE SPECIFIED		eng	Guang, Shi	2011/08/26			ecn no	-			
See Notes				chr	-	-			-				
				appr	Pei-Ming Zheng	2011/09/08	product family		PwrBlade		rel level		Released
surface	linear	0.X	± 0.50		title	10P + 4S VERTICAL SOLDER HEADER		dwg no	51952-195		rev		A
		0.XX	± 0.25										
		0.XXX	± 0.10										
	angular	0°	$\pm 2^\circ$	www.fci.com	cat. no.	-	Product - Customer Drw			sheet 4 of 4			