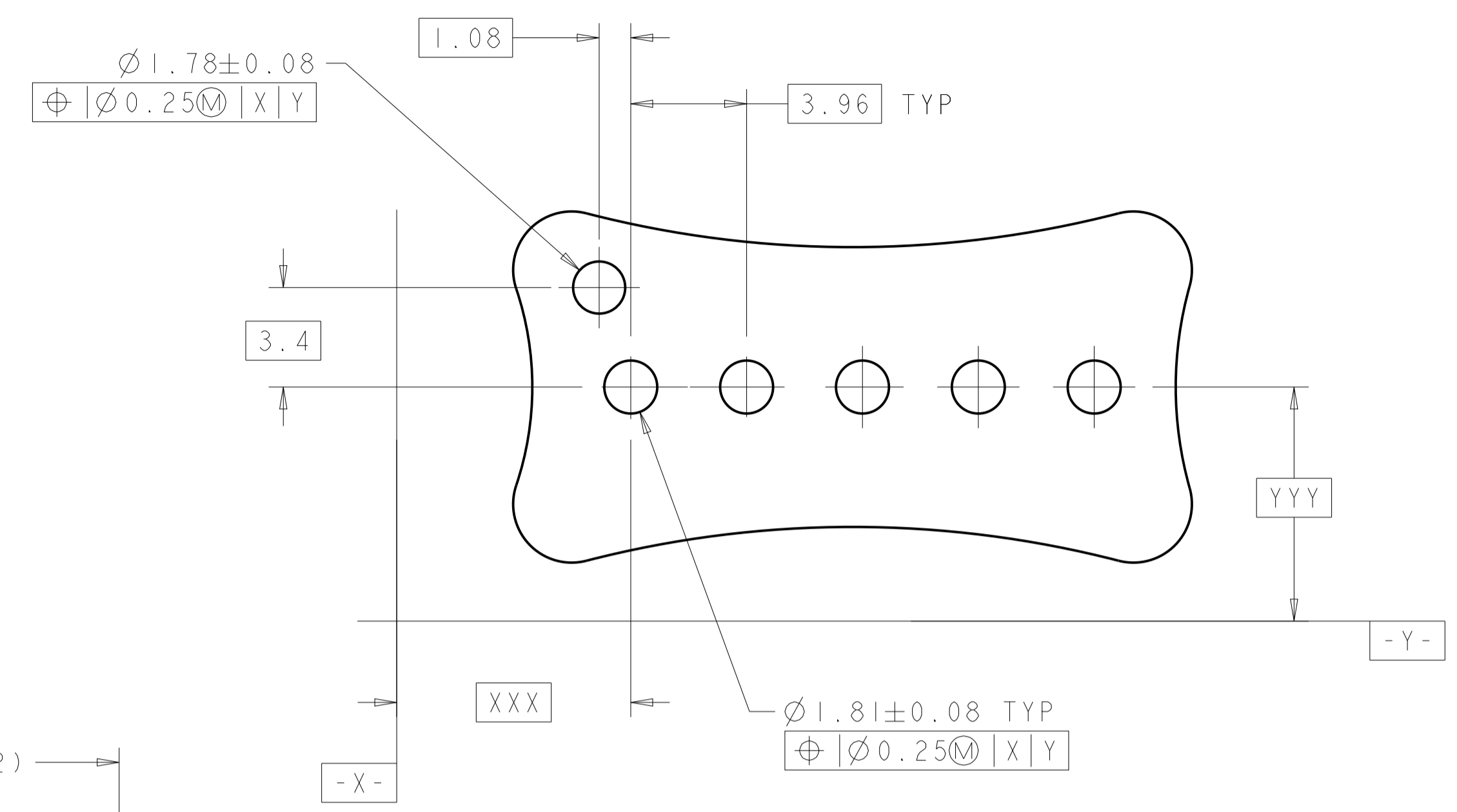
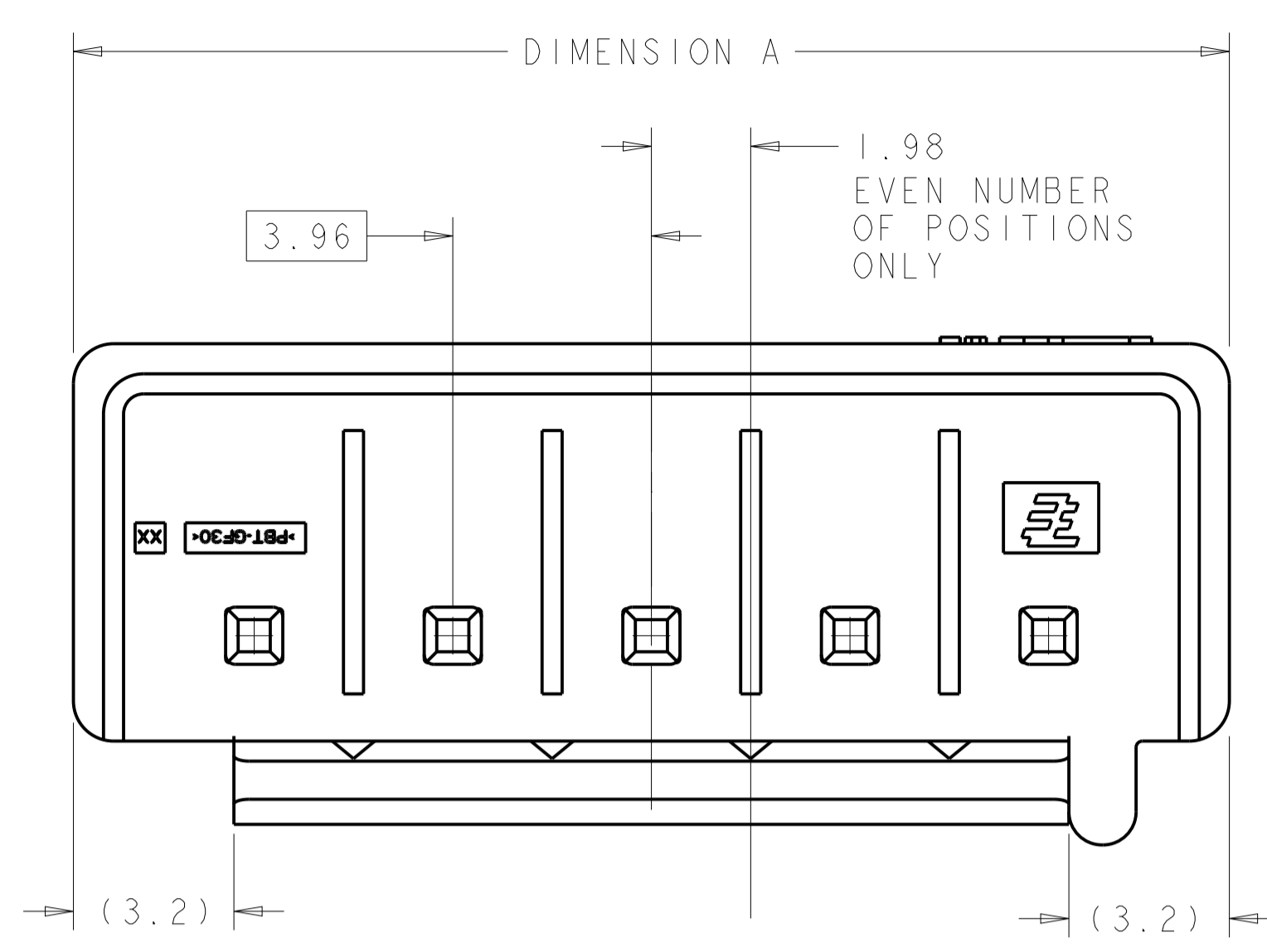
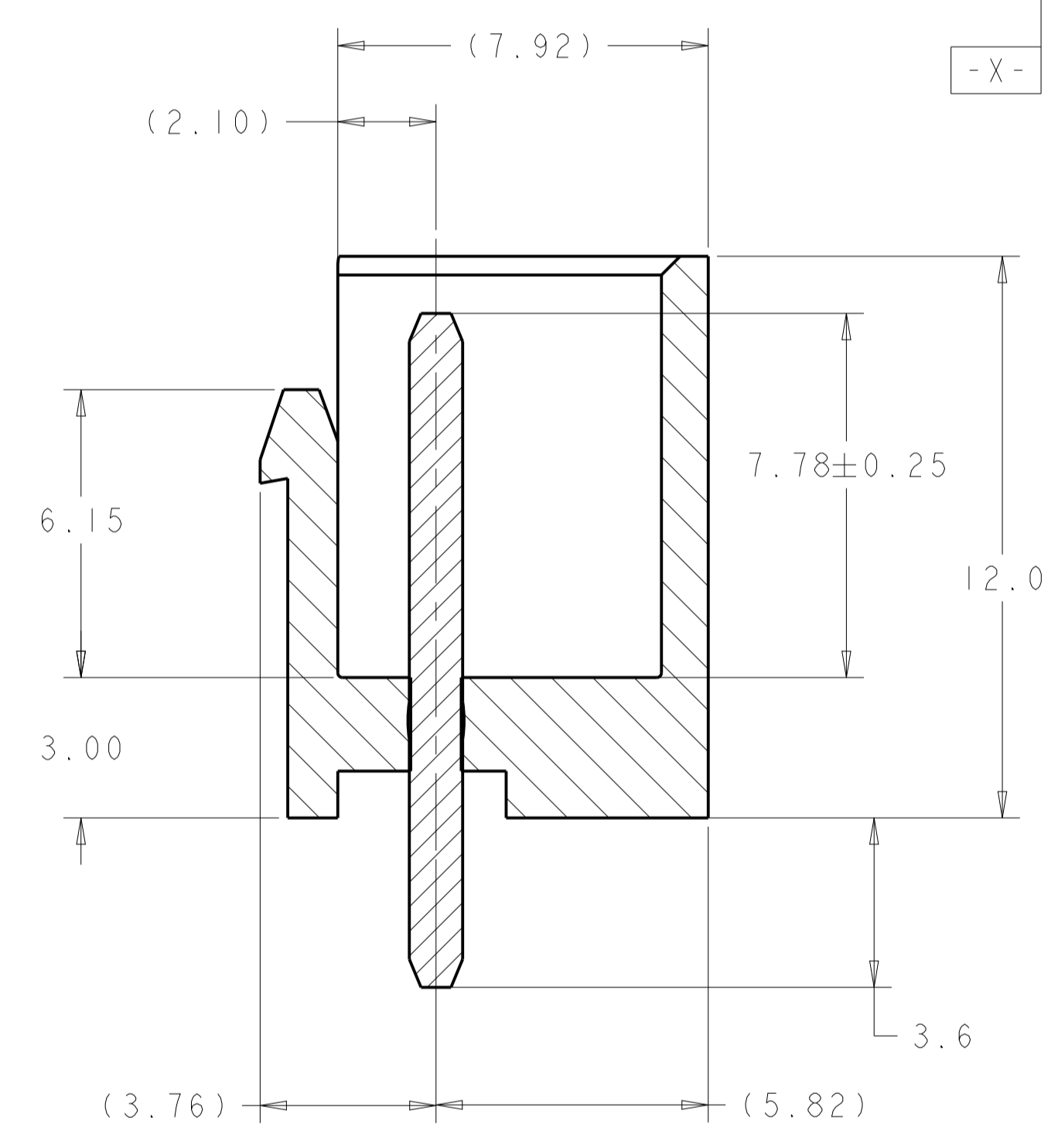
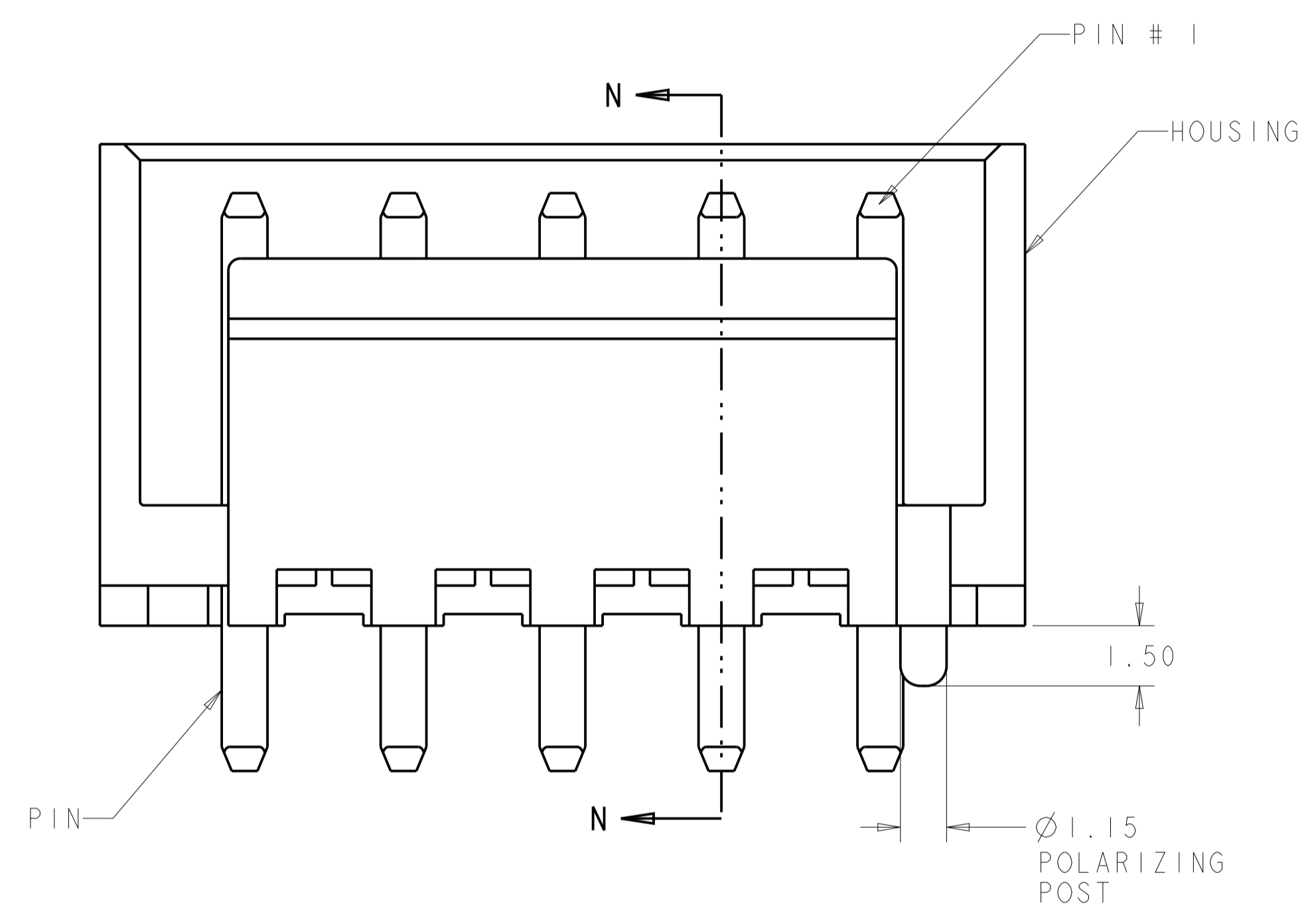


LOC		DIST		REVISONS			
P	LTN	DESCRIPTION	DATE	DWN	APVD		
A		REVISED PER ECR-14-002687	07MAR2014	NK	TM		

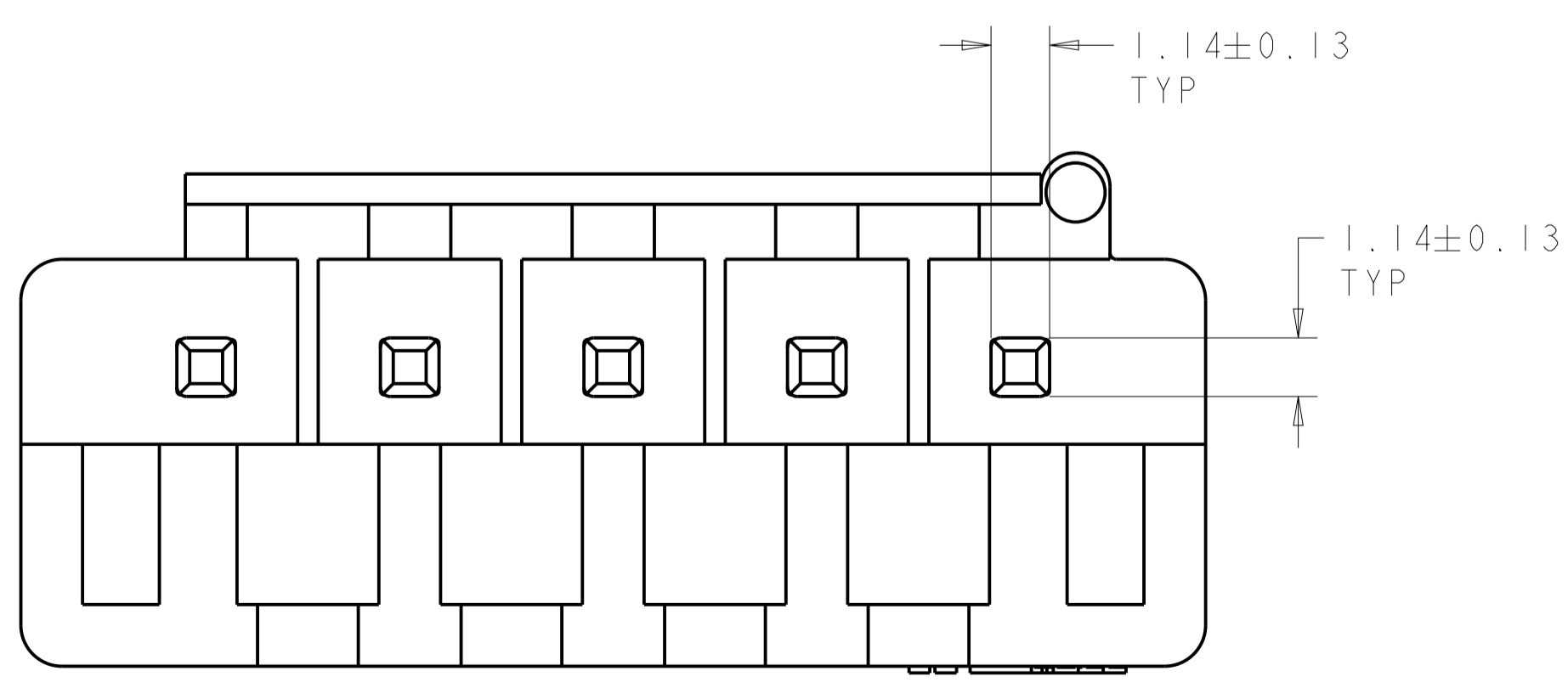


RECOMMENDED PCB LAYOUT
SCALE 6:1

- ⚠ MATERIAL: HOUSING; PBT GLASS FILLED UL94V-0
PIN; BRASS, GREEN
- ⚠ FINISH: PIN, 1.0µm MIN TIN OVER 0.8µm MIN NICKEL.



SECTION N-N



50.77	12	1-1744485-2
46.81	11	1-1744485-1
42.85	10	1-1744485-0
38.89	9	1744485-9
34.93	8	1744485-8
30.97	7	1744485-7
27.01	6	1744485-6
23.05	5	1744485-5
19.09	4	1744485-4
15.13	3	1744485-3
11.17	2	1744485-2
DIM A	POS	ASSEMBLY PART NO.

THIS DRAWING IS A CONTROLLED DOCUMENT.

DWN: KIRAN_HOLAL 11AUG2012
 CHK: MACE_SAM 11AUG2012
 APVD: MACE_SAM 11AUG2012

DIMENSIONS: mm
 TOLERANCES UNLESS OTHERWISE SPECIFIED:
 0 PLC ±0.50
 1 PLC ±0.30
 2 PLC ±0.30
 3 PLC ±0.30
 4 PLC ±0.30
 ANGLES ±0.5

MATERIAL: FINISH:

Customer Drawing

NAME: SHROUDED HEADER ASSEMBLY, SINGLE LATCH, 3.96mm PITCH, ECONOMY POWER (EP), GREEN

PRODUCT SPEC: 108-5609
 APPLICATION SPEC: -

SIZE: A1
 CAGE CODE: 100779
 DRAWING NO: 1744485

SCALE: 8:1 SHEET 1 OF 1 REV A