

THIS DRAWING IS UNPUBLISHED.

RELEASED FOR PUBLICATION

2015

© COPYRIGHT 2015

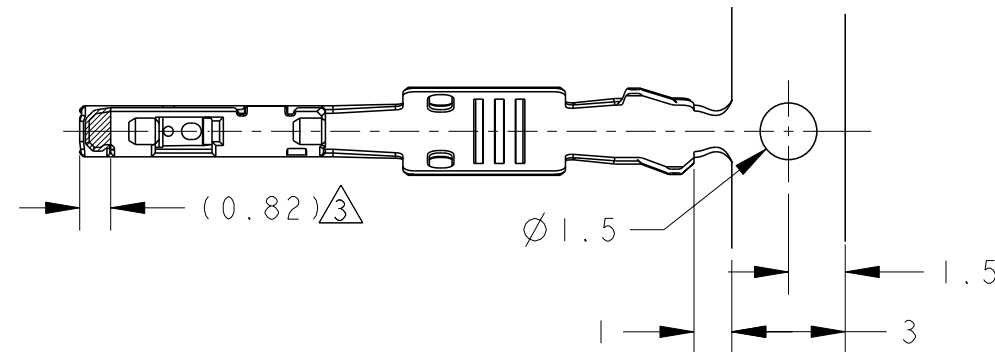
ALL RIGHTS RESERVED.

LOC
J

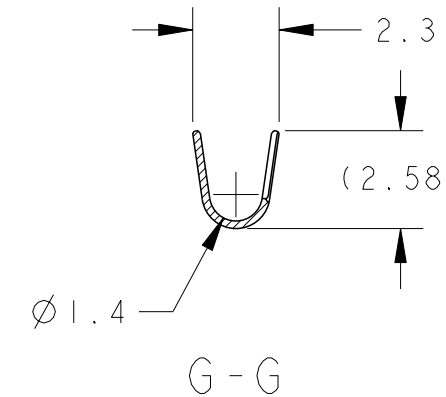
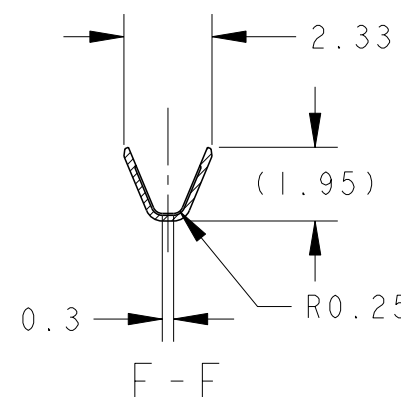
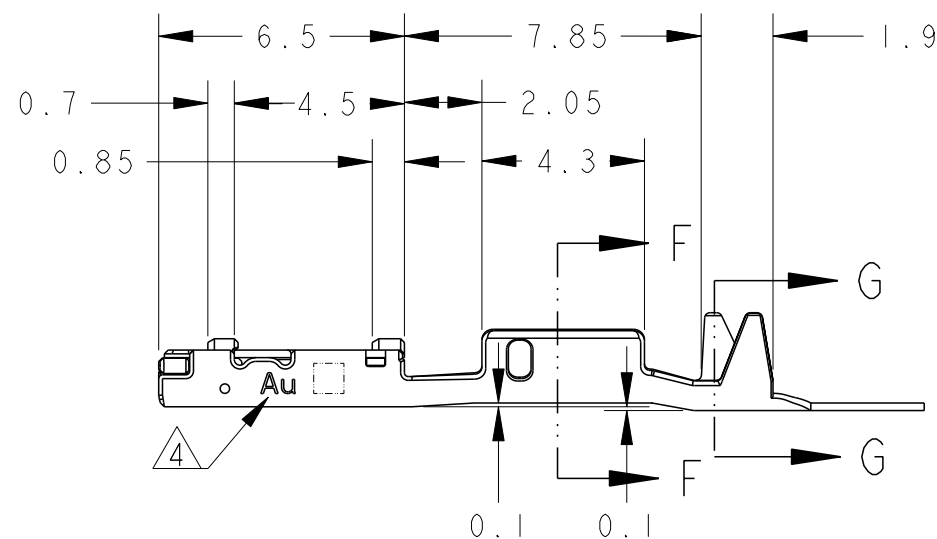
DIST
-

REVISIONS
変更

P	LTR	DESCRIPTION	DATE	DWN	APVD
A		RELEASED	19MAR09	TA	HY
B		REVISED	18SEP2015	KK	RK

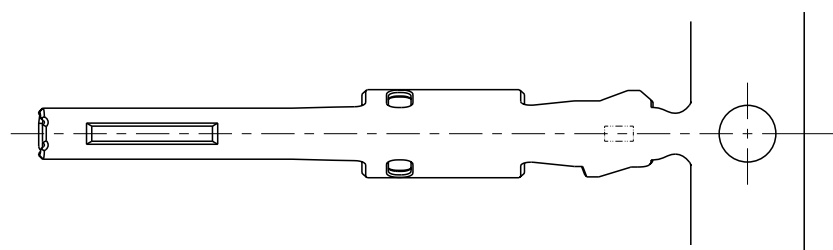


AS SHOWN: - 1
本図: - 1



- 1. APPLICABLE WIRE RANGE:
AESX/AVSSH/AVSS 0.3mm²
- 2. APPLICATOR FEED: 7.5mm
- 3. GOLD PLATED AREA FOR DISCRIMINATION.
- 4. MARKING FOR IDENTIFICATION.

- 1. 適用電線: AESX/AVSSH/AVSS 0.3mm²
- 2. アプリケータ送りピッチ: 7.5mm
- 3. 識別用金めつき範囲を示す。
- 4. 識別用刻印



THIS DRAWING IS A CONTROLLED DOCUMENT.

DIMENSIONS: 単位: 耗 mm		TOLERANCES UNLESS OTHERWISE SPECIFIED: 一般公差 ±0.3	
		0-PLC	±
		1-PLC	±0.5
		2-PLC	±0.13
		3-PLC	±0.013
MATERIAL 材料		FINISH 仕上	
Cu Alloy		SELECTIVE GOLD, TIN	

DWN	T. AKIGUCHI	26NOV08
CHK	R. KOMIYAMA	26NOV08
APVD	H. YAMAGAMI	26NOV08
PRODUCT SPEC	108-78518	
APPLICATION SPEC	114-5400	
WEIGHT	0.16 g	

WIRE RANGE 絶合電線断面積		0.37~0.38mm ²		INSULATION DIA 被覆外径		φ1.4~φ1.5	
TE Connectivity							
NAME 名称							
SEALED 0.50 RECEPTACLE CONTACT Au							
SIZE	CAGE CODE	DRAWING NO 番号		RESTRICTED TO			
A3	00779	C-1939350		-			
CUSTOMER DRAWING				SCALE 尺度	5:1	SHEET 張	1 OF 1
				REV	B		