

TPS657095 PMU for Embedded Camera Module

1 Features

- Two 100mA LDOs
- Output Voltage Accuracy $\pm 1.5\%$
- V_{IN} Range From 3.7V to 6V
- LED Driver with PWM Dimming
- 1 GPO
- 1 GPIO
- I²C™ Interface
- 4KByte User OTP memory
- Available in 16-Ball DSBGA with 0.4mm Pitch

2 Applications

- Laptops
- Detachables
- Tablets
- Monitors
- Smartphones

3 Description

The TPS657095 is a power management unit targeted for embedded camera modules or other portable low power consumer end equipments. It contains two LDOs enabled by the I²C™ Interface, a PWM-dimmable current sink for driving one LED, one general purpose output (GPO), a programmable clock generator and 4K Byte of User OTP memory. The operation of the device is disabled if the input voltage supply is below the internal undervoltage lockout.

The device comes in a 16-ball die-size ball grid array package (DSBGA) with 0.4mm ball pitch.

Device Information⁽¹⁾

PART NUMBER	PACKAGE	BODY SIZE (NOM)
TPS657095	DSBGA (16)	1.70 mm x 1.70 mm

(1) For all available packages, see the orderable addendum at the end of the datasheet.

Application Circuit

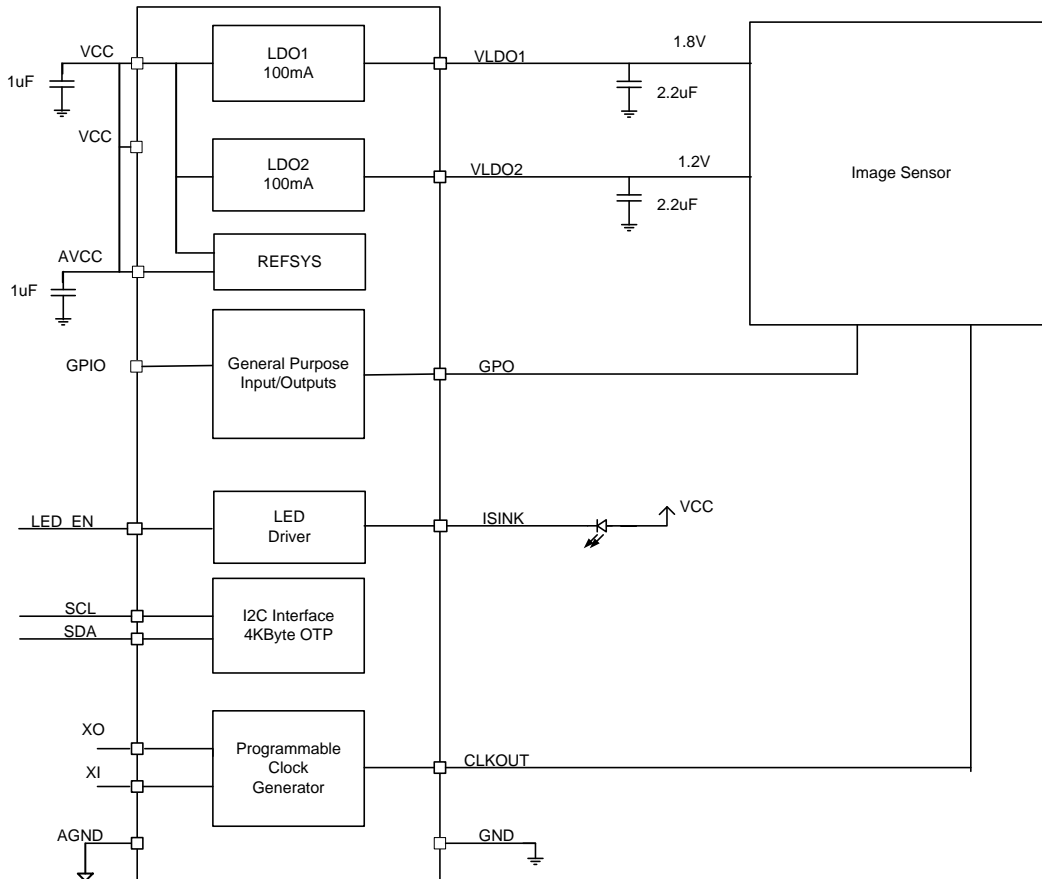


Table of Contents

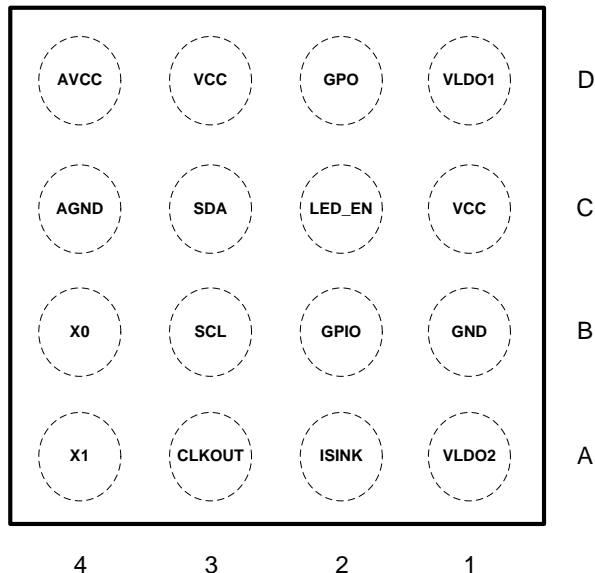
1 Features	1	7.5 Programming.....	16
2 Applications	1	7.6 Register Map.....	20
3 Description	1	8 Application and Implementation	31
4 Revision History	2	8.1 Application Information.....	31
5 Pin Configuration and Functions	3	8.2 Typical Application	31
6 Specifications	4	9 Power Supply Recommendations	35
6.1 Absolute Maximum Ratings	4	10 Layout	35
6.2 ESD Ratings.....	4	10.1 Layout Guidelines	35
6.3 Recommended Operating Conditions.....	4	10.2 Layout Example	35
6.4 Thermal Information	4	11 Device and Documentation Support	36
6.5 Electrical Characteristics.....	5	11.1 Device Support	36
6.6 Timing Requirements	8	11.2 Community Resources.....	36
6.7 Typical Characteristics	9	11.3 Trademarks	36
7 Detailed Description	10	11.4 Electrostatic Discharge Caution.....	36
7.1 Overview	10	11.5 Glossary	36
7.2 Functional Block Diagram	10	12 Mechanical, Packaging, and Orderable Information	37
7.3 Feature Description.....	11	12.1 Package Summary.....	37
7.4 Device Functional Modes.....	16	12.2 Chip Scale Package Dimensions.....	37

4 Revision History

DATE	REVISION	NOTES
February 2016	A	Contact TI for Rev A datasheet changes

5 Pin Configuration and Functions

**YFF Package
16-Pin DSBGA
Top View**



Pin Functions

PIN		I/O	DESCRIPTION
NAME	NUMBER		
VCC	C1, D3	I	Supply Input. Connect a 1uF cap close to the C1 pin. Connect pins C1 and D3 together externally.
GND	B1	I	Ground connection (main device ground - connect to ground plane on PCB)
AVCC	D4	I	Analog Supply Input. Connect a 1uF cap close to pin. The D4 pin must be connected externally to the D3 and C1 pins.
AGND	C4	I	Analog Ground connection (device quiet ground - connect to ground plane on PCB)
VLDO1	D1	O	Output voltage from LDO1
VLDO2	A1	O	Output voltage from LDO2
ISINK	A2	O	Open drain current sink; connect to the cathode of LED
GPO	D2	O	general purpose output
LED_EN	C2	I	LED enable pin (0 = disabled, 1 = enabled)
GPIO	B2	I	General Purpose Input/Output (see GPIO_CTRL Register for details) As an input, it is used to enable LDO2
SCL	B3	I	clock input for the I2C compatible interface
SDA	C3	I/O	data input for the I2C compatible interface
XO	B4	I	connection for external crystal to clock generator (input of amplifier)
XI	A4	I	connection for external crystal to clock generator (output of amplifier)
CLKOUT	A3	O	clock output

6 Specifications

6.1 Absolute Maximum Ratings

 over operating free-air temperature range (unless otherwise noted)⁽¹⁾

		MIN	MAX	UNIT
Voltage	All pins except GND pin with respect to AGND	-0.3	7	V
	GPIO and GPO pull-up voltage if configured as open drain output	-0.3	$V_{CC} + 0.3$	V
	Pin VLDO1 and VLDO2 with respect to AGND	-0.3	3.6	V
Current	VLDO1, VLDO2, VCC		200	mA
	GND, ISINK, GPIO, GPO		50	mA
	All other pins		3	mA
Operating free-air temperature, T_A		-40	85	°C
Maximum junction temperature, T_J			125	°C
Storage temperature range, T_{stg}		-65	150	°C

- (1) Stresses beyond those listed under *absolute maximum ratings* may cause permanent damage to the device. These are stress ratings only and functional operation of the device at these or any other conditions beyond those indicated under *recommended operating conditions* is not implied. Exposure to absolute-maximum-rated conditions for extended periods may affect device reliability.

6.2 ESD Ratings

			VALUE	UNIT
$V_{(ESD)}$	Electrostatic discharge	Human body model (HBM), per ANSI/ESDA/JEDEC JS-001 ⁽¹⁾	2000	V
		Charged device model (CDM), per JEDEC specification JESD22-C101 ⁽²⁾	500	V

- (1) JEDEC document JEP155 states that 500-V HBM allows safe manufacturing with a standard ESD control process.
 (2) JEDEC document JEP157 states that 250-V CDM allows safe manufacturing with a standard ESD control process.

6.3 Recommended Operating Conditions

over operating free-air temperature range (unless otherwise noted)

		MIN	NOM	MAX	UNIT
V_{CC} / AV_{CC}	Input voltage range	3.7		6	V
C_{VCC}	Input capacitor at VCC	1			μF
C_{AVCC}	Input capacitor at AVCC	1			μF
V_{LDOx}	Output voltage range for LDO1 and LDO2	0.8		3.3	V
I_{LDO}	Output current at LDO1 or LDO2			75	mA
$C_{OUTLDO1/2}$	Output capacitance at V_{LDO1} , V_{LDO2}	2.2		6.8	μF
LED_EN	Voltage range	1.3		6	V
GPIO	Voltage range (configured as an input)	1.3		3.3	V
T_A	Operating ambient temperature	-40		85	°C
T_J	Operating junction temperature	-40		125	°C

6.4 Thermal Information

THERMAL METRIC ⁽¹⁾		TPS657095	UNIT
		YFF (DSBGA)	
		16 PINS	
$R_{\theta JA}$	Junction-to-ambient thermal resistance	78.2	°C/W
$R_{\theta JC(top)}$	Junction-to-case (top) thermal resistance	0.6	
$R_{\theta JB}$	Junction-to-board thermal resistance	13.2	
Ψ_{JT}	Junction-to-top characterization parameter	2.5	
Ψ_{JB}	Junction-to-board characterization parameter	13	
$R_{\theta JC(bot)}$	Junction-to-case (bottom) thermal resistance	n/a	

- (1) For more information about traditional and new thermal metrics, see the *IC Package Thermal Metrics* application report, [SPRA953](http://www.ti.com/lit/zip/Spra953).

6.5 Electrical Characteristics

 Unless otherwise noted: $V_{CC} = AV_{CC} = 5V$, $C_{VCC} = 1\mu F$; $C_{OUTLDOx} = 2.2\mu F$, $T_A = -40^\circ C$ to $85^\circ C$

PARAMETER		TEST CONDITIONS	MIN	TYP	MAX	UNIT
SUPPLY CURRENT						
V_{CC} , AV_{CC}	Supply voltage	During normal operation	3.7		6	V
		During programming (writing) of OTP memory	-5%	5	+5%	V
I_Q	Operating quiescent current	LDO1 disabled LDO2 disabled No I ² C communications LED_EN = 0 CLKout_EN = 0 24MHz crystal disabled		25	30	μA
		LDO1 disabled LDO2 enabled, $I_{OUT(LDO2)} = 0$ mA No I ² C communications LED_EN = 0 CLKout_EN = 0 24MHz crystal disabled		40	55	μA
		LDO1 enabled, $I_{OUT(LDO1)} = 0$ mA LDO2 disabled No I ² C communications LED_EN = 0 CLKout_EN = 0 24MHz crystal disabled		40	55	μA
		LDO1 enabled, $I_{OUT(LDO1)} = 0$ mA LDO2 enabled, $I_{OUT(LDO2)} = 0$ mA No I ² C communications LED_EN = 0 CLKout_EN = 0 24MHz crystal disabled		60	80	μA
		LDO1 enabled, $I_{OUT(LDO1)} = 0$ mA LDO2 enabled, $I_{OUT(LDO2)} = 0$ mA No I ² C communications LED_EN = 0 CLKout_EN = 1 24MHz crystal enabled		2900	3550	μA
		LDO1 enabled, $I_{OUT(LDO1)} = 0$ mA LDO2 enabled, $I_{OUT(LDO2)} = 0$ mA No I ² C communications LED_EN = 1, PWM Duty Cycle set to 99.9%, ISINK = 2mA CLKout_EN = 1 24MHz crystal enabled		3000	3600	μA
I_{SD}	Shutdown current	Device disabled; V_{CC} and $AV_{CC} < 1.8V$		45	85	μA
LED_ENABLE						
V_{IH}	High level input voltage		1.1		V_{CC}	V
V_{IL}	Low level input voltage				0.4	V
$I_{(in)lk}$	Input Leakage Current				0.1	μA
	Input Deglitch	With a minimum pulse period of 500ns before another glitch is received			100	ns
GENERAL PURPOSE INPUT/OUTPUT (GPIO)						
V_{IH}	High level input voltage	For VLDO1 = 1.8V	1.1		VLDO1	V
V_{IH}	High level input voltage	For VLDO1 = 3.3V	1.37		VLDO1	V
V_{IL}	Low level input voltage	For VLDO1 = 1.8V	0		0.4	V
V_{IL}	Low level input voltage	For VLDO1 = 3.3V	0		0.6	V
$I_{(in)lk}$	Input leakage current	GPIO programmed as input and tied to GND or V_{CC}		0.01	0.1	μA
V_{OH}	High level output voltage	Configured as a push-pull output, $I_{OH} = 1$ mA, VLDO1 $\geq 1.8V$	1.2	$V_{LDO1} - 0.2V$	V_{LDO1}	V

Electrical Characteristics (continued)

 Unless otherwise noted: $V_{CC} = AV_{CC} = 5V$, $C_{VCC} = 1\mu F$; $C_{OUTLDOx} = 2.2\mu F$, $T_A = -40^{\circ}C$ to $85^{\circ}C$

PARAMETER		TEST CONDITIONS	MIN	TYP	MAX	UNIT
V_{OH}	High level output voltage	Configured as a push-pull output, $I_{OH} = 1mA$, $1.3V \leq VLDO1 \leq 1.8V$	1.0		V_{LDO1}	V
V_{OL}	Low level output voltage	Configured as a push-pull output, $I_{OL} = 2mA$, $VLDO1 \geq 1.8V$			0.25	V
V_{OL}	Low level output voltage	Configured as a push-pull output, $I_{OL} = 2mA$, $1.3V \leq VLDO1 \leq 1.8V$			0.3	V
V_{OL}	Low level output voltage	Configured as an open-drain output, $I_{OL} = 4mA$, $VLDO1 \geq 1.8V$			0.6	V
V_{OL}	Low level output voltage	Configured as an open-drain output, $I_{OL} = 2mA$, $1.3V \leq VLDO1 \leq 1.8V$			0.6	V
$I_{(out)lkg}$	Output leakage current	Configured as an open-drain output, GPIO connected to VLDO1		0.01	0.1	μA
GENERAL PURPOSE OUTPUT (GPO)						
V_{OH}	High level output voltage	Configured as a push-pull output, $I_{OH} = 1mA$, $VLDO1 \geq 1.8V$	1.2	$V_{LDO1} - 0.2V$	V_{LDO1}	V
V_{OH}	High level output voltage	Configured as a push-pull output, $I_{OH} = 1mA$, $1.3V \leq VLDO1 \leq 1.8V$	1.0		V_{LDO1}	V
V_{OL}	Low level output voltage	Configured as a push-pull output, $I_{OL} = 2mA$, $VLDO1 \geq 1.8V$			0.25	V
V_{OL}	Low level output voltage	Configured as a push-pull output, $I_{OL} = 2mA$, $1.3V \leq VLDO1 \leq 1.8V$			0.3	V
V_{OL}	Low level output voltage	Configured as an open-drain output, $I_{OL} = 4mA$, $VLDO1 \geq 1.8V$			0.6	V
V_{OL}	Low level output voltage	Configured as an open-drain output, $I_{OL} = 2mA$, $1.3V \leq VLDO1 \leq 1.8V$			0.6	V
$I_{(out)lkg}$	Output leakage current	Configured as an open-drain output, GPO connected to VLDO1		0.01	0.1	μA
SCL, SDA						
V_{IH}	High level input voltage on SCL, SDA		1.2		V_{CC}	V
V_{IL}	Low level input voltage on SCL, SDA		0		0.4	V
I_{lkg}	Pin leakage current on SCL, SDA (includes leakage current for the open-drain output)	Input at V_{IL} or V_{IH}			100	nA
V_{OL}	Low level output voltage on SDA	For $I_{OL} = 1mA$			0.25	V
UNDERVOLTAGE LOCKOUT (UVLO), SENSED AT PIN AVCC						
UVLO	Internal undervoltage lockout threshold	AV_{CC} rising	3.4	3.6	3.7	V
	Internal undervoltage lockout threshold hysteresis	AV_{CC} falling		130		mV
CLOCK GENERATOR						
f_{osc}	Frequency of external crystal			24		MHz
f_{CLKOUT}	Frequency on pin CLKOUT	For $OSC_FREQ[1,0] = 00$		24		MHz
		For $OSC_FREQ[1,0] = 01$		12		
		For $OSC_FREQ[1,0] = 10$		6		
		For $OSC_FREQ[1,0] = 11$		3		
	Period jitter; rms	Measured period compared to the Average Period of 10,000 randomly selected cycles			600	ps
	Peak period to period jitter	Measured period compared to the Average Period of 10,000 randomly selected cycles			600	ps
	Duty cycle of CLKout		40%	50%	60%	
	Rise time / fall time for clock output	10% to 90% of output voltage, $1.3V \leq VLDO1 \leq 3.3V$			10	ns

Electrical Characteristics (continued)

 Unless otherwise noted: $V_{CC} = AV_{CC} = 5V$, $C_{VCC} = 1\mu F$; $C_{OUTLDOx} = 2.2\mu F$, $T_A = -40^{\circ}C$ to $85^{\circ}C$

PARAMETER	TEST CONDITIONS	MIN	TYP	MAX	UNIT
Load capacitance	Defines the maximum capacitance that can be driven by the CLKOUT buffer and still meet the specified rise/fall times			15	pF
Output impedance			50		Ω
V_{OH}	High level output voltage Internally connected to $V_{LDO1} \geq 1.8V$: for $C_{OUT} = 15pF$, $I_{OH} = 1mA$	1.6	$V_{LDO1} - 0.2V$	V_{LDO1}	V
V_{OL}	Low level output voltage For $C_{OUT} = 15pF$, $I_{OL} = 1mA$		0.2	0.3	V
t_{start}	Oscillator start-up time Time from CLKout_EN=1 to CLKout active for the NXTBD-24.000M crystal, not tested in production but based on simulations			10	ms
THERMAL PROTECTION					
T_{SD}	Thermal shutdown Increasing junction temperature		150		$^{\circ}C$
	Thermal shutdown hysteresis Decreasing junction temperature		30		$^{\circ}C$
VLDO1, VLDO2 LOW DROPOUT REGULATORS					
V_{CC}	Input voltage range for LDO1 and LDO2	3.7		6	V
V_{LDO1}	LDO1 output voltage See LDO1_CTRL Register definition for all available voltage settings.	0.8	1.8	3.3	V
V_{LDO2}	LDO2 output voltage See LDO2_CTRL Register definition for all available voltage settings.	0.8	1.2	3.3	V
I_O	Output current for LDO1 and LDO2			100	mA
I_{SC}	LDO1 and LDO2 short circuit current limit $V_{LDOx} = GND$	110		220	mA
	Dropout voltage at LDO1 and LDO2 $I_O = 75mA$; $V_{CC} \geq 3.7V$			700	mV
	Output voltage accuracy for LDO1 and LDO2 $V_{CC} = VLDO + 0.6V$ (min 3.7V) to 6V, $I_O = 2mA$ through 75mA $T = 0^{\circ}C$ to $85^{\circ}C$	-1.5%		1.5%	
	Load Transient $V_{CC} = AV_{CC} = 5V$, $I_{O(LDOx)} = 0A$ to 75mA in 1us			10%	
PSRR	Power supply rejection ratio $f = 10kHz$, $C_{OUT} \geq 2.2\mu F$ $V_{INLDOx} = 5V$, $V_{OUT} = 1.8V$, $I_{OUT} = 75mA$,		56		dB
	Output voltage rms noise Voltage ripple and noise from 10kHz to 5MHz; Normal mode			4	mV
t_{Ramp}	V_{OUT} ramp time Time to ramp from 5% to 95% of V_{OUT}	24	50	200	μs
R_{DIS}	Internal discharge resistor at VLDO1 and VLDO2 $V_{IN} < UVLO$	200	400	550	Ω
LED CURRENT SINK					
I_{LED}	Isink current (LED current for 99.9% duty cycle)		10		mA
	Minimum voltage drop from ISINK to GND needed for proper regulation At ISINK = 10mA	0.3			V
	ISINK accuracy ISINK = 10mA, Duty Cycle set to 99.9%	-10%		5%	V
PWM frequency settings	For PWM_FREQ[1,0] = 00		23.5		kHz
	For PWM_FREQ[1,0] = 01		11.7		
	For PWM_FREQ[1,0] = 10		5.8		
	For PWM_FREQ[1,0] = 11		2.9		
	PWM duty cycle range Limited by ISINK rise / fall time for PWM_FREQ[1:0] other than 2'b11 setting	0%		99.9%	
	ISINK rise / fall time $V_{(ISINK)} \geq 0.6V$ for $2mA \leq ISINK \leq 30mA$		400		ns

6.6 Timing Requirements

		MIN	MAX	UNIT
f_{MAX}	Clock frequency		400	kHz
$t_{(HIGH)}$	Clock high time	600		ns
$t_{(LOW)}$	Clock low time	1300		ns
t_r	DATA and CLK rise time		300	ns
t_f	DATA and CLK fall time		300	ns
$t_{hd;STA}$	Hold time (repeated) START condition (after this period the first clock pulse is generated)	600		ns
$t_{su;STA}$	Setup time for repeated START condition	600		ns
$t_{hd;DAT}$	Data input hold time	10		ns
$t_{su;DAT}$	Data input setup time	100		ns
$t_{su;STO}$	STOP condition setup time	600		ns
t_{BUF}	Bus free time	1300		ns
CI	Load capacitance on SDA and SCL (with a 730Ω or smaller pull-up resistor on SDA and SCL pulled up to 1.8V)		400	pF

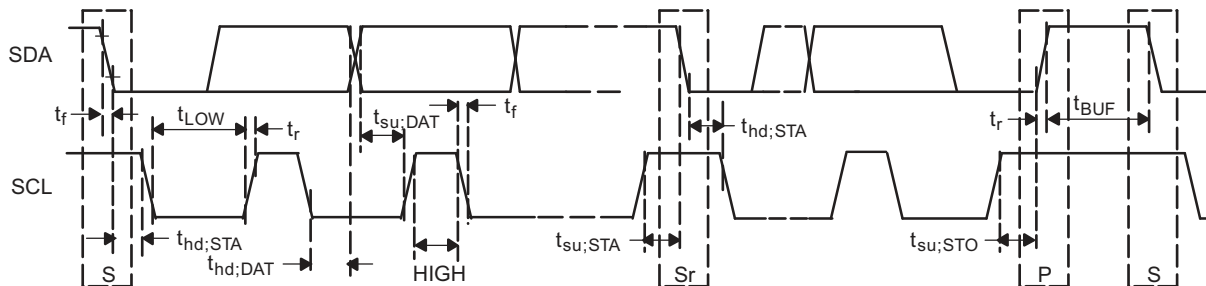


Figure 1. Serial I/f Timing Diagram

6.7 Typical Characteristics

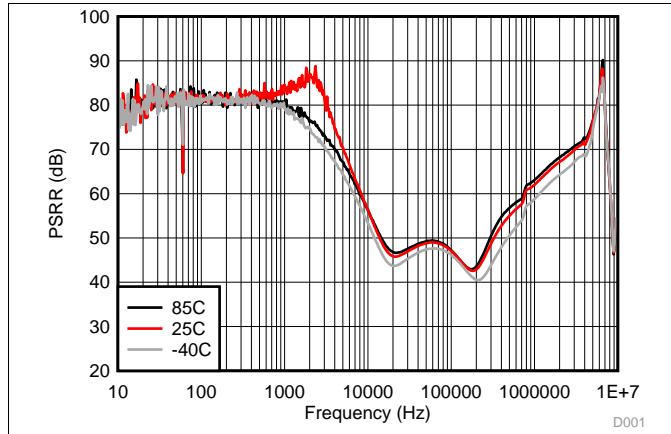


Figure 2. Power Supply Rejection Ratio (PSRR) for LDO1 at 1mA

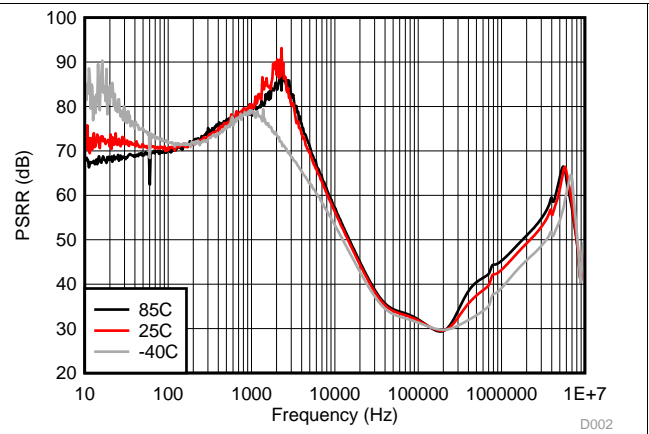


Figure 3. Power Supply Rejection Ratio (PSRR) for LDO1 at 75mA

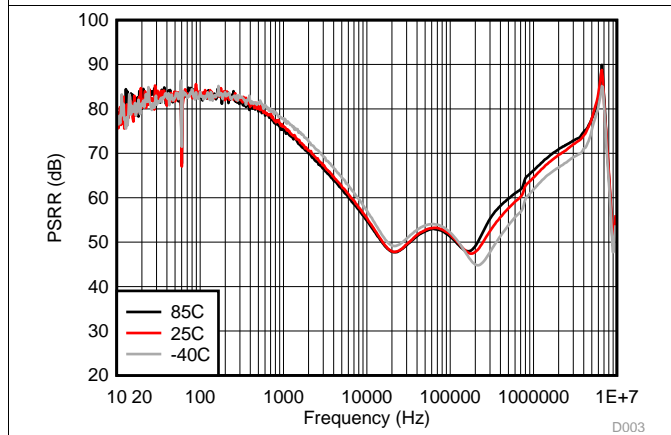


Figure 4. Power Supply Rejection Ratio (PSRR) for LDO2 at 1mA

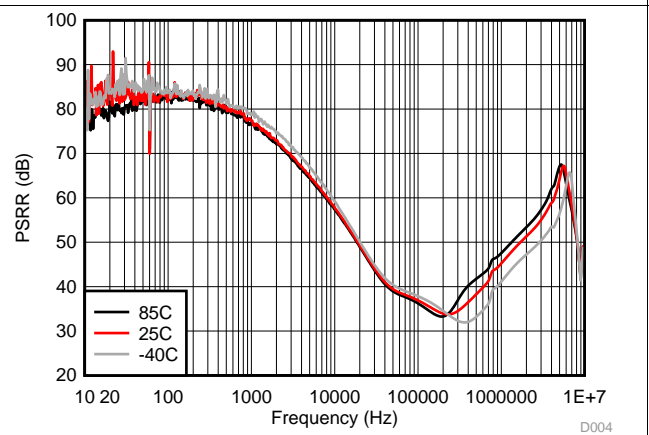


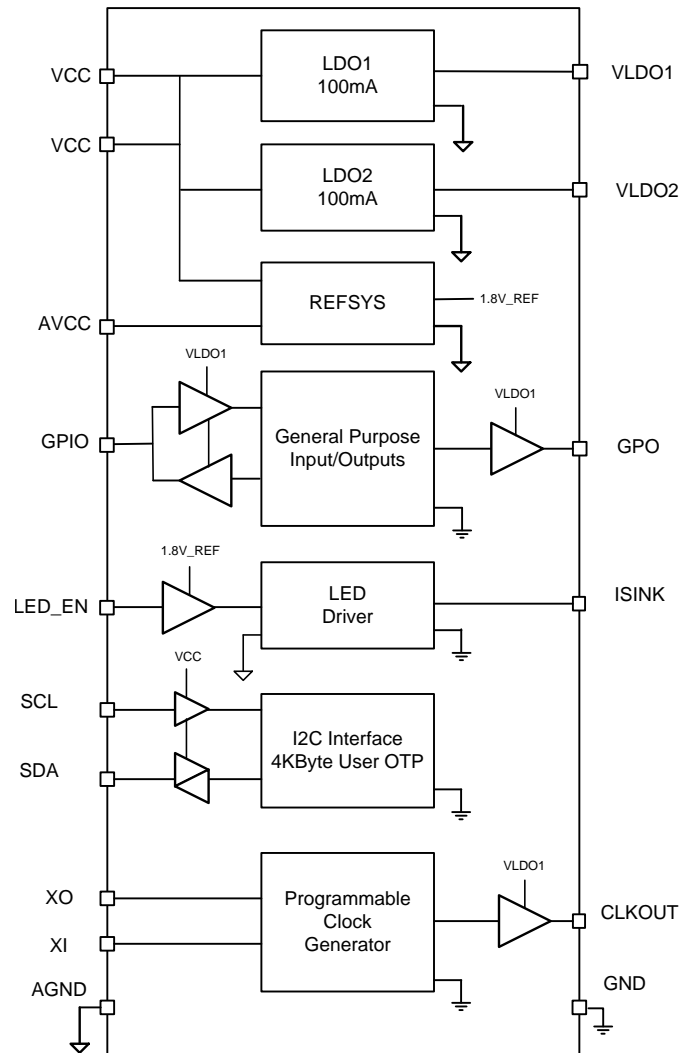
Figure 5. Power Supply Rejection Ratio (PSRR) for LDO2 at 75mA

7 Detailed Description

7.1 Overview

The TPS657095 integrates two LDOs, a PWM-dimmable current sink for driving an LED, one GPIO for controlling an external device and one GPO for controlling an embedded camera module.

7.2 Functional Block Diagram



7.3 Feature Description

7.3.1 State Diagram

The state diagram below details the basic operation of this device.

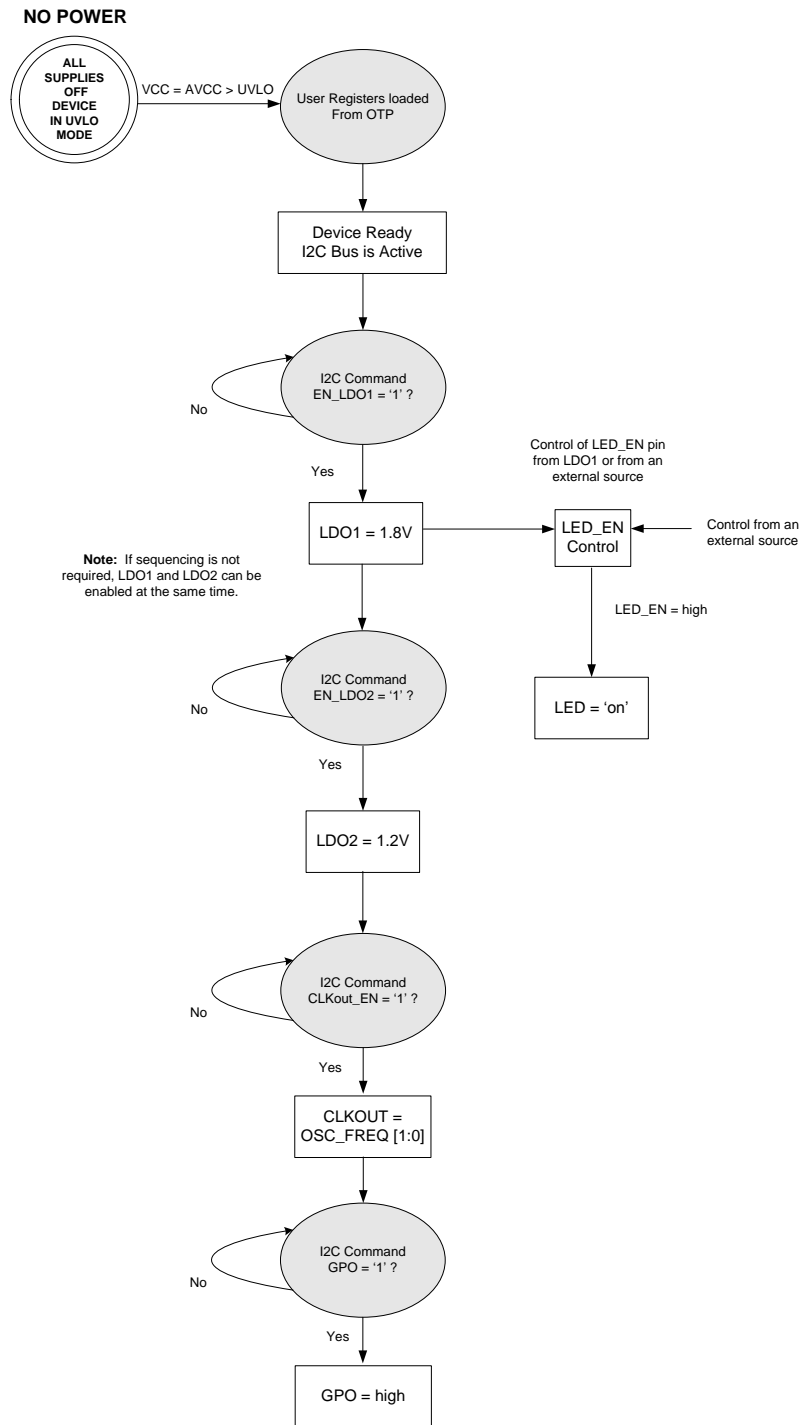


Figure 6. State Diagram

Feature Description (continued)

7.3.2 Power-up Timing

The timing diagram below details the state of the input signals and output voltages in a power-up event.

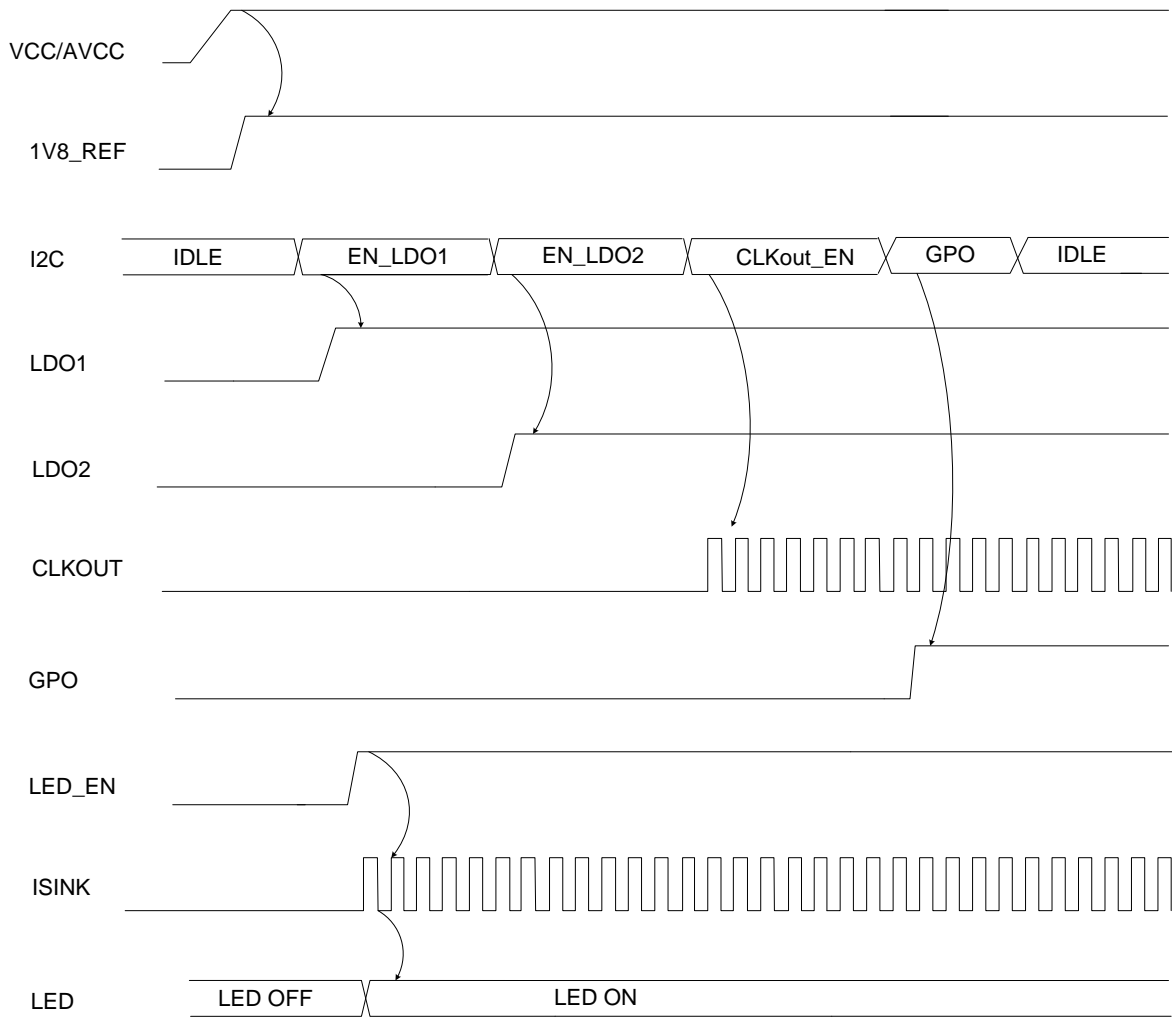


Figure 7. Power-Up Timing

Feature Description (continued)

7.3.3 GPO

The TPS657095 has one general purpose output (GPO) that can be used to control a camera image sensor. Bit 0 of the GPIO_CTRL Register can be used to set the output level and bit 1 of the GPIO_CTRL Register can be used to define whether the output is an open-drain or push-pull output. Internally, the GPO output buffer is connected to LDO1. Therefore, LDO1 has to be enabled in order for the GPO output to operate. In the open-drain configuration, the external pull-up resistor should be pulled up to a voltage that is equal to or less than VCC at all times. Connecting the pull-up resistor to a voltage source that is greater than VCC or present whenever VCC is not present may cause an unwanted leakage path.

7.3.4 GPIO

The TPS657095 has one general purpose input/output (GPIO) that can be used to control an external device when configured as an output. When configured as an input, the GPIO pin serves as a dedicated LDO2 enable. This discrete pin is 'ORed' with the software LDO2 enable. The functionality is shown in the following table.

Table 1. LDO2 Output Control

GPIO (configured as an input)	EN_LDO2 (bit 1 of the LDO_CTRL REGISTER)	LDO2 OUTPUT
0	0	Off
0	1	On
1	0	On
1	1	On

The GPIO_CTRL register contains the bits used to configure this GPIO. Bit 3 of the GPIO_CTRL Register can be used to set the output level, bit 4 can be used to configure the GPIO as an input or an output, and bit 5 of the GPIO_CTRL Register can be used to define whether the output is an open-drain or push-pull output. Internally, the GPIO output buffer is connected to LDO1. Therefore, LDO1 has to be enabled in order for the GPIO to operate. In the open-drain configuration, the external pull-up resistor should be pulled up to a voltage that is equal to or less than VCC at all times. Connecting the pull-up resistor to a voltage source that is greater than VCC or present whenever VCC is not present may cause an unwanted leakage path.

7.3.5 LED_EN

The TPS657095 has a pin, LED_EN, which is used to control a privacy LED. The privacy LED can only be turned on or off using the LED_EN pin. No other means to control the privacy LED exists in this device. The LED driver circuit of this device is internally biased by an internal 1.8V reference which is automatically powered once a valid voltage is present on the VCC/AVCC pins of this device. The input leakage current specified in the [Electrical Characteristics](#) section of this datasheet will not be exceeded even if a logic high voltage is applied to this pin while VCC/AVCC are not present.

7.3.6 PWM Dimming

LED_EN serves as the enable for the internal PWM.

- LED_EN = 0: LED is OFF
- LED_EN = 1: LED is ON / internal PWM is enabled

Since the crystal oscillator is needed for the internal PWM dimming, it is automatically enabled based on the status of the LED_EN pin and on the CLKout_EN register bit.

CLKout_EN	LED_EN	ISINK	CRYSTAL OSCILLATOR ENABLED	CLKout
0	0	OFF	OFF	OFF
0	1	ON - internal PWM	ON	OFF
1	0	OFF	ON	ON
1	1	ON - internal PWM	ON	ON

7.3.7 Crystal Oscillator and CLKOUT

The crystal oscillator is used to provide a clock signal to the camera image sensor via the CLKOUT pin. It is also used to control the internal PWM for dimming the LED. The crystal oscillator is enabled by either the CLKout_EN bit in the PWM_OSC_CNTRL register or by driving the LED_EN pin to a high state.

The CLKOUT buffer is internally supplied by LDO1, hence LDO1 needs to be enabled for proper functionality of the clock output. The CLKOUT buffer is enabled only when bit 2 of the PWM_OSC_CNTRL Register is set to a logic one. If bit 2 of the PWM_OSC_CNTRL register is set to a logic one while LDO1 is disabled, the crystal oscillator will run but the clock output will not be present on the CLKOUT pin. The OSC_FREQ[1:0] bits in the PWM_OSC_CNTRL Register should be set prior to enabling the CLKOUT buffer.

In addition, the crystal oscillator is driving the internal charge pump that generates the programming voltage for the 4kByte OTP memory. For programming the OTP, the oscillator has to be enabled by setting CLKout_EN to a logic '1' at least 10ms before the OTP is written to allow the crystal to stabilize.

The oscillator circuit used does not require external components other than the crystal itself on pins XI and XO. Internally, the oscillator circuit contains two 16pF capacitors connected from XI to GND and from XO to GND. It is designed for an equivalent series resistance of the crystal to be less than 100Ω. Therefore, a crystal must be used with a series resistance of less than this value and no other resistors in series or in parallel to the crystal must be added.

The signal on CLKOUT is delayed from the CLKout_EN bit enabling the output buffer until the oscillator is stable. Once it has stabilized, an additional internal wait time of 131072 clk cycles x 1/24MHz has been added internally to the design before the output is set active. Given the typical start-up time of the crystal oscillator, it is safe to assume the total start-up time which depends on the crystal used including the 131072 cycles of clk delay is less than 10ms.

Table 2. Tested Crystals

TYPE	NOMINAL FREQUENCY	LOAD CAPACITANCE	EQUIVALENT SERIES RESISTANCE	SUPPLIER
8Q-24.000MEEV-T	24MHz	8pF (16pF on each pin)	100Ω maximum	TXC

7.3.8 LDOs

The low dropout voltage regulators are designed to operate with low value ceramic input and output capacitors. Both LDOs contain a current limit feature which is used at start up to control the voltage ramp time.

LDO1 is enabled by bit 0 of the LDO_CTRL register. LDO2 can be enabled by either bit 1 of the LDO_CTRL register or by the GPIO if configured as an input. Since the input buffer for the GPIO is powered by LDO1, LDO1 must be enabled before the GPIO pin can be used to enable LDO1. In the case of a thermal event, the register enable bits will be cleared with no auto-re-start feature so as to allow the application software to control the power sequencing of the LDOs.

7.3.9 Undervoltage Lockout

The undervoltage lockout circuit prevents the device from malfunctioning at low input voltages and from excessive discharge of the battery. It disables the complete device at low input voltages.

The supply voltage to the TPS657095 is internally sensed at pin AVCC. When the voltage at AVCC exceeds the UVLO limit, the internal enable signals turns HIGH and allows the device to operate. When the supply voltage drops below the UVLO limit, TPS657095 is forced OFF, all functions are disabled and the LDO output voltage discharge circuitry is forced ON to ramp down the output voltage. However, if the input voltage drops below 2V, the discharge circuit becomes inactive.

7.3.10 Power Up/Power Down Default States

The GPO, GPIO and CLKOUT pins contain internal buffers powered by LDO1. The following table shows their state during a power up (UVLO Rising) and power down (UVLO Falling) event.

Table 3. Power Up/Power Down Events

CIRCUIT	EVENT			
	VCC > UVLO, LDO1 TURN-OFF	VCC RISING > UVLO, LDO1 IN AN 'OFF' STATE	VCC > UVLO, LDO1 TURN-ON	VCC FALLING < UVLO, LDO1 IN AN 'OFF' STATE
GPO	Off ⁽¹⁾	Off ⁽¹⁾	Push-Pull, Low Level	Off ⁽¹⁾
GPIO	Off ⁽¹⁾⁽²⁾	Off ⁽¹⁾⁽²⁾	Input ⁽³⁾	Off ⁽¹⁾
Register Bits	no change	OTP Load State	no change	Reset State
CLKOUT	Off ⁽¹⁾	Off ⁽¹⁾	Low (CLKOUT_EN = low)	Off ⁽¹⁾

(1) Output is 'off' as a result of no power supply. The output follows LDO1 to within a diode drop.

(2) The GPIO_STATE bit (bit 3 in the GPIO_CTRL register) is forced to a logic low.

(3) The default setting is configured as an input. This can be modified by using the GPIO_CTRL register.

7.3.11 Output Voltage Discharge for LDO1 and LDO2

The LDOs contain an output capacitor discharge feature which makes sure that the capacitor is discharged to GND when the supply voltage drops below the undervoltage lockout threshold. The discharge function is enabled when voltage is applied at AVCC starting at about 2.1V until the LDOs are enabled.

7.3.12 Power-Good Status Bits for LDO1 and LDO2

Bits PGOOD_LDO1 and PGOOD_LDO2 in register LDO_CTRL are driven by an comparator inside the LDOs to indicate when the output voltage is in regulation. The Bits are set 'high' when the LDO is in regulation. When the LDO is enabled but the voltage is not above the power-good threshold, the bit is set to a 'low' state. The bit is also set to a 'low' state if the LDO is disabled.

7.3.13 Short-Circuit Protection

All outputs are short circuit protected with a maximum output current as defined in the electrical specifications.

7.3.14 Thermal Shutdown

As soon as the junction temperature, T_J , exceeds 150°C (typically) for any of the LDOs, the LDO will go into thermal shutdown. In this case, the LDOs are turned-off. After the temperature has fallen below the threshold, the LDO remains off until it is enabled again by the I²C interface. There is no automatic power-on feature once the thermal event is past.

7.3.15 LED Driver

The TPS657095 contains a LED driver for a current of up to 30mA. ISINK is an open drain current sink that regulates a current in a LED. The anode of the LED needs to be tied to a positive supply voltage e.g., V_{CC} or any other voltage within the limits of the electrical spec of TPS657095, depending on the forward voltage of the LED. The cathode of the LED is connected to ISINK which sets a constant current to GND. ISINK is regulated internally based on the default current set internally. If the LED_EN pin is pulled LOW, the LED driver is disabled and its output ISINK is high resistive. If LED_EN is HIGH, the current sink regulates to the current defined by the setting in the ISINK_CURRENT Register.

The internal PWM generator allows for internal dimming with a frequency of 3kHz, 6kHz, 12kHz or 24kHz. A 10Bit duty cycle register allows to set the duty cycle in a range from 0% to 99.9% using 8Bits PWM resolution and another 2Bits of dithering.

A signal applied at the LED_EN pin is used to synchronously enable and disable the internal PWM signal.

7.3.16 4kByte OTP Memory

The TPS657095 contains 4kBytes of one-time-programmable (OTP) memory to store user data. The memory has a linear address range from 0x0000 to 0x0FFF and uses two Byte addressing as described in the serial interface description. Reading beyond the specified linear address range will result in reading all zeros. Writes to an address space beyond the specified linear address range are inhibited.

The 4kByte OTP memory requires a programming voltage higher than 5V. The program voltage is generated internally by a charge pump which uses the VCC voltage as its input. During programming, Vcc has to be kept at 5V +/-5% (a voltage of 5.25V is recommended) and the internal oscillator has to be enabled 10ms before programming to allow the 24MHz crystal to stabilize. The 24MHz clock is needed for the internal charge pump to generate the programming voltage from Vcc.

As an added security measure, programming the 4kByte OTP memory requires a two byte sequential password to be written to in the PMU register space at address 0x0F. The two bytes must be written back to back with no restriction on the delay between the writes. Any data written at address 0x0F that does not match the password and sequence will disable the ability to program the 4kByte OTP memory.

7.3.16.1 Programming the 4KByte OTP Memory

1. Apply 5V +/-5% to the VCC and AVCC pins.
2. Enable the internal oscillator by driving the LED_EN pin to a high state or setting the CLKout_EN bit to a '1'.
3. Wait at least 10ms for the crystal to stabilize.
3. Using the PMU register I2C address, write the password to the 4K_OTP_PASSWORD register.
4. Using the 4kByte OTP memory I2C address, write the desired value to a specific address using the protocol shown in Figure 6.
5. Exit the programming of the 4KByte OTP memory by over writing the 4K_OTP_PASSWORD register with an incorrect password or by removing power to the device.

7.4 Device Functional Modes

7.4.1 Shutdown Mode

The TPS657095 is in a 'Shutdown' mode if the voltage on the AVCC pin is below 1.8V. In this mode, the device will not respond to I2C commands nor will the LED_EN pin be operational.

7.4.2 Operational Mode

The TPS657095 enters an 'Operational' mode mode once a voltage greater than the UVLO limit is present on both the VCC and AVCC pins. In this mode, the I2C is active, the operation of the LED is controllable via the LED_EN pin and the LDOs can be enabled.

NOTE

The voltage on the AVCC and VCC pins should not be left in a state between the Shutdown Mode voltage and the Operational Mode voltage. Keeping the input voltage to the device in this indeterminate state will result in unwanted quiescent current consumption.

7.5 Programming

7.5.1 Serial Interface

The serial interface is compatible with the standard and fast mode I²C specifications, allowing transfers at up to 400kHz. The interface adds flexibility to the power supply solution, enabling most functions to be programmed to new values depending on the instantaneous application requirements and charger status to be monitored. Register contents remain intact as long as VCC remains above the UVLO threshold. The I²C interface is running from an internal oscillator that is automatically enabled when there is an access to the interface. Additional features supported by the I²C compatible interface are:

- multi-byte read/write capability
- clock stretching; specifically needed during OTP write

The 7bit device address for TPS657095 is:

- "100 1000" for the PMU user registers
- "101 1000" for the 4kByte OTP memory

Programming (continued)

For the PMU, at address "100 1000", the device address is followed by the 1Byte register address and 1Byte data (for a write instruction)

For the 4kByte OTP memory, at address "101 1000", the device address is followed by the 1Byte register address [7:0] followed by the second address Byte [15:8] and 1Byte data (for a write instruction) giving a 4kByte linear address range for the memory. Please note that the supply voltage range at pins VCC and AVCC during programming (writing) of the OTP memory is limited to 5V ±5%.

Attempting to read data from register addresses not listed in this section will result in 00h being read out.

For normal data transfer, DATA is allowed to change only when CLK is low. Changes when CLK is high are reserved for indicating the start and stop conditions. During data transfer, the data line must remain stable whenever the clock line is high. There is one clock pulse per bit of data. Each data transfer is initiated with a start condition and terminated with a stop condition. When addressed, the TPS657095 generates an acknowledge bit after the reception of each byte. The master device (microprocessor) must generate an extra clock pulse that is associated with the acknowledge bit. The TPS657095 must pull down the DATA line during the acknowledge clock pulse so that the DATA line is a stable low during the high period of the acknowledge clock pulse. The DATA line is a stable low during the high period of the acknowledge-related clock pulse. Setup and hold times must be taken into account. During read operations, a master must signal the end of data to the slave by not generating an acknowledge bit on the last byte that was clocked out of the slave. In this case, the slave device TPS657095 must leave the data line high to enable the master to generate the stop condition.

The interface is reset by the internal UVLO signal of TPS657095 or by a STOP condition. If the SCL and SDA signal is not stable at the time the UVLO threshold on pin Vcc is exceeded, the first communication may not be acknowledged and will have to be re-transmitted after a STOP condition.

Upon the application of power on the VCC/AVCC pins, the internal I²C buffers may sequence up in a manner that produces a false START. If a false START is detected, an internal synchronization clock will be enabled until a STOP condition is received. During the time that the internal synchronization clock is active, the device will consume an additional 120µA of current.

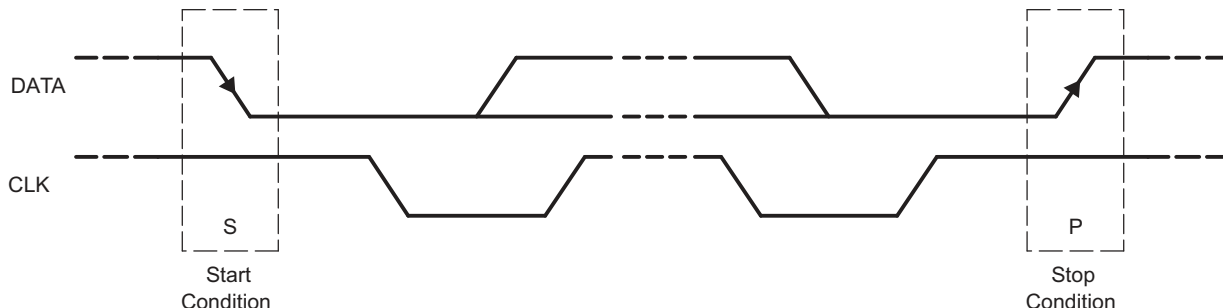
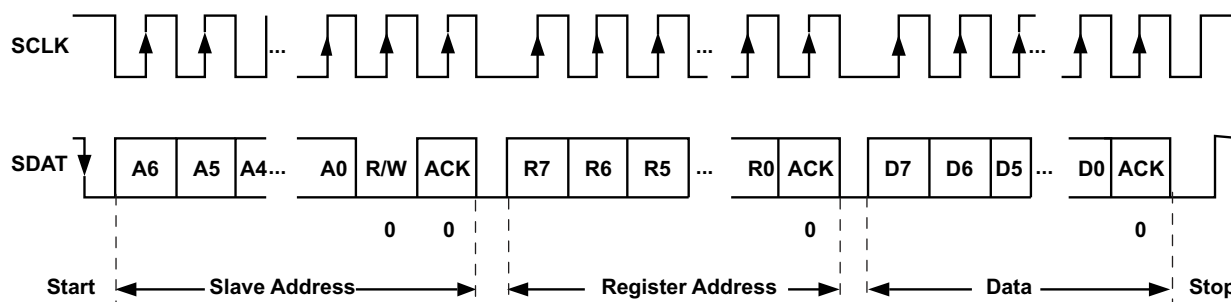
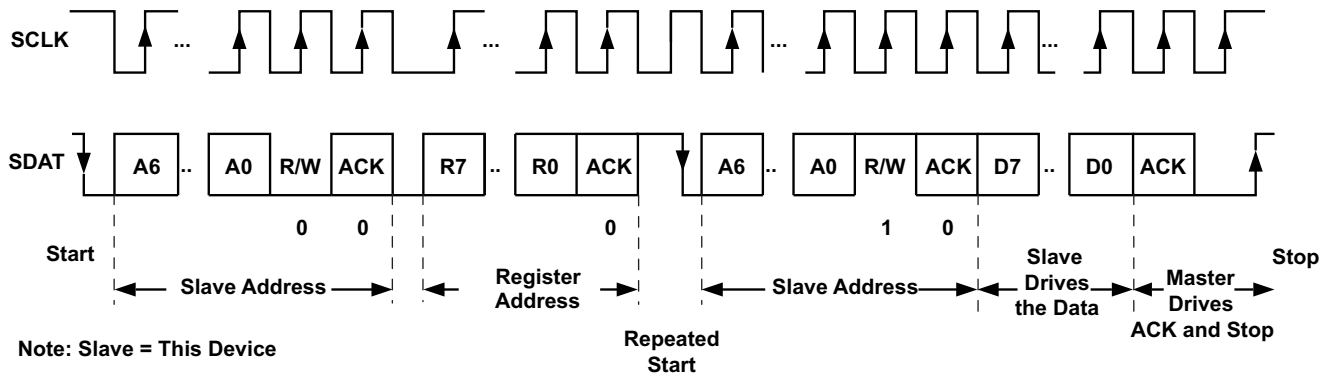
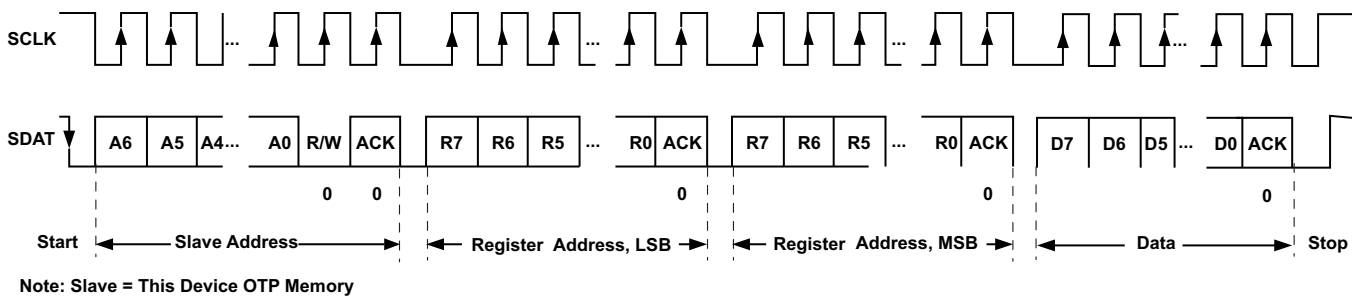
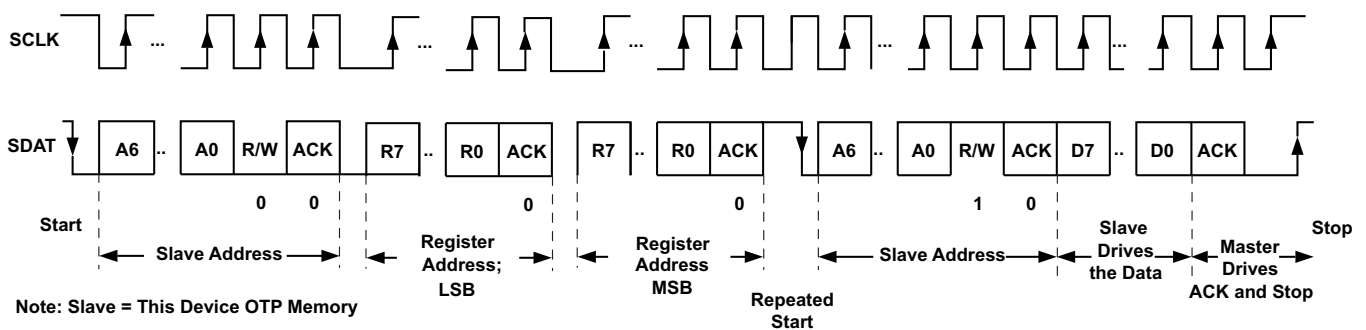
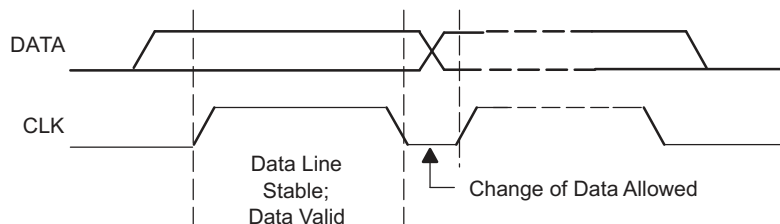


Figure 8. START and STOP Conditions



Note: Slave = This Device

Figure 9. Serial Interface WRITE to TPS657095 User Registers

Programming (continued)

Figure 10. Serial Interface READ from TPS657095 User Registers

Figure 11. Serial Interface WRITE to TPS657095 OTP Memory

Figure 12. Serial Interface READ from TPS657095 OTP Memory

Figure 13. Bit Transfer on the Serial Interface

Programming (continued)

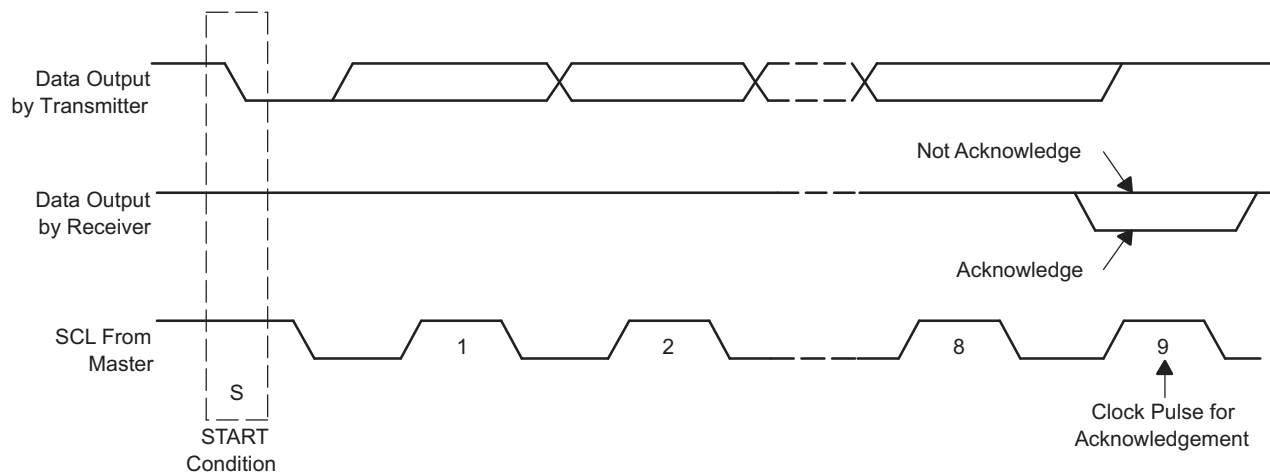


Figure 14. Acknowledge on the I²C Bus

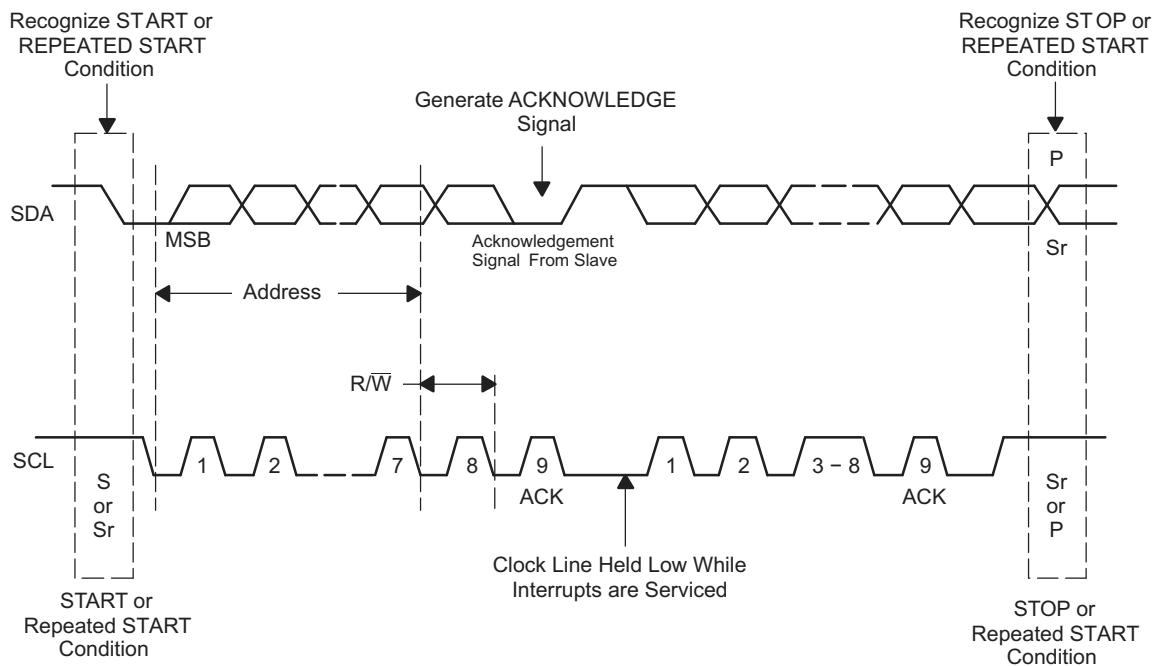


Figure 15. Bus Protocol

7.6 Register Map

7.6.1 DEV_AND_REV_ID Register Address: 00h

Figure 16. DEV_AND_REV_ID Register

DEV_AND_REV_ID	B7	B6	B5	B4	B3	B2	B1	BO
Bit name and function	DEV_ID[3]	DEV_ID[2]	DEV_ID[1]	DEV_ID[0]	REV_ID[3]	REV_ID[2]	REV_ID[1]	REV_ID[0]
Default	0	1	0	1	0	1	0	0
Default set by:	OTP	OTP	OTP	OTP	OTP	OTP	OTP	OTP
Default value loaded by:	UVLO	UVLO	UVLO	UVLO	UVLO	UVLO	UVLO	UVLO
Read/write	R	R	R	R	R	R	R	R

LEGEND: R/W = Read/Write; R = Read only;

Table 4. DEV_AND_REV_ID Field Descriptions

Bit	Field	Type	Reset	Description
Bit 7:4	DEV_ID[3:0]	R	0101	Device ID: TPS657095 = 0101
Bit 3:0	REV_ID[3:0]	R	0100	Die Revision ID: PG1.0 = 0100

7.6.2 OTP_REV Register Address: 01h

Figure 17. OTP_REV Register Address: 01h Register

OTP_REV	B7	B6	B5	B4	B3	B2	B1	BO
Bit name and function	RSVD	OTP_REV[6]	OTP_REV[5]	OTP_REV[4]	OTP_REV[3]	OTP_REV[2]	OTP_REV[1]	OTP_REV[0]
Default	0	1	0	0	0	0	0	0
Default set by:	OTP	OTP	OTP	OTP	OTP	OTP	OTP	OTP
Default value loaded by:	UVLO	UVLO	UVLO	UVLO	UVLO	UVLO	UVLO	UVLO
Read/write	R	R	R	R	R	R	R	R

LEGEND: R/W = Read/Write; R = Read only;

Table 5. OTP_REV Register Address: 01h Register Field Descriptions

Bit	Field	Type	Reset	Description
Bit 7	RSVD	R	0	
Bit 6:0	OTP_REV[6:0]	R	1000000	Reserved: 100_0000: Production PG1.0 programming

7.6.3 GPIO_CTRL Register Address: 02h

Figure 18. GPIO_CTRL Register

GPIO_CTRL	B7	B6	B5	B4	B3	B2	B1	B0
Bit name and function	SPARE	SPARE	GPIO_driver	GPIO_DIR	GPIO_STATE	SPARE	GPO_driver	GPO
Default	0	0	1	1	1	0	0	0
Default set by:	OTP	OTP	OTP	OTP	OTP	OTP	OTP	OTP
Default value loaded by:	UVLO	UVLO	UVLO	UVLO	UVLO	UVLO	UVLO	UVLO
Read/write	R	R	R/W	R/W	R/W	R	R/W	R/W

LEGEND: R/W = Read/Write; R = Read only;

Table 6. GPIO_CTRL Register Field Descriptions

Bit	Field	Type	Reset	Description
Bit 7:6	SPARE	R	00	
Bit 5	GPIO_driver	R/W	1	0 = GPIO is configured as push pull output; internally connected to LDO1 1 = GPIO is configured as open drain output
Bit 4	GPIO_DIR	R/W	1	0 = GPIO is configured as an input and used to enable LDO2 1 = GPIO is configured as an output
Bit 3	GPIO_STATE	R/W	1	0 = actively pulled low 1 = high impedance output if the GPIO_driver bit is configured as an open-drain output / internally pulled up to the LDO1 voltage setting if the GPIO_driver bit is configured as a push-pull output
Bit 2	SPARE	R	0	
Bit 1	GPO_driver	R/W	0	0 = GPO is configured as push pull output; internally connected to LDO1 1 = GPO is configured as open drain output
Bit 0	GPO	R/W	0	0 = actively pulled low 1 = high impedance output if the GPO_driver bit is configured as an open-drain output / internally pulled up to the LDO1 voltage setting if the GPO_driver bit is configured as a push-pull output

7.6.4 PWM_OSC_CNTRL Register Address: 03h

Figure 19. PWM_OSC_CNTRL Register

OSCILLATOR_CONTROL	B7	B6	B5	B4	B3	B2	B1	B0
Bit name and function	SPARE	SPARE	SPARE	PWM_FREQ[1]	PWM_FREQ[0]	CLKout_EN	OSC_FREQ[1]	OSC_FREQ[0]
Default	0	0	0	1	1	0	0	0
Default set by:	OTP	OTP	OTP	OTP	OTP	OTP	OTP	OTP
Default value loaded by:	UVLO	UVLO	UVLO	UVLO	UVLO	UVLO	UVLO	UVLO
Read/write	R	R	R	R/W	R/W	R/W	R/W	R/W

LEGEND: R/W = Read/Write; R = Read only;

Table 7. PWM_OSC_CNTRL Register Field Descriptions

Bit	Field	Type	Reset	Description
Bit 7:5	SPARE	R	000	
Bit 4:3	PWM_FREQ[1:0]	R/W	11	Frequency divider for internally generated PWM signal: 00 : f(PWM) = 23.5KHz 01 : f(PWM) = 11.7KHz 10 : f(PWM) = 5.8KHz 11 : f(PWM) = 2.9KHz
Bit 2	CLKout_EN	R/W	0	0 = CLKOUT is disabled and the output is held LOW 1 = the crystal oscillator is forced ON; CLKOUT is enabled and is switching with the frequency defined by OSC_FREQ[1..0]; LDO1 needs to be enabled for CLKout being active Please note that the crystal oscillator itself is active once the Bit is set high, independently of the status of LDO1.
Bit 1:0	OSC_FREQ[1:0]	R/W	00	Frequency divider for CLKOUT generated from 24MHz crystal 00 : f(CLKOUT) = f(OSC) = 24MHz 01 : f(CLKOUT) = f(OSC) / 2 = 12MHz 10 : f(CLKOUT) = f(OSC) / 4 = 6MHz 11 : f(CLKOUT) = f(OSC) / 8 = 3MHz

7.6.5 ISINK_CURRENT Register Address: 04h

Figure 20. ISINK_CURRENT Register

ISINK_CURRENT	B7	B6	B5	B4	B3	B2	B1	B0
Bit name and function	SPARE	SPARE	SPARE	ISINK[4]	ISINK[3]	ISINK[2]	ISINK[1]	ISINK[0]
Default	0	0	0	0	1	0	0	0
Default set by:	OTP	OTP	OTP	OTP	OTP	OTP	OTP	OTP
Default value loaded by:	UVLO	UVLO	UVLO	UVLO	UVLO	UVLO	UVLO	UVLO
Read/write	R	R	R	R	R	R	R	R

LEGEND: R/W = Read/Write; R = Read only;

Table 8. ISINK_CURRENT Register Field Descriptions

Bit	Field	Type	Reset	Description
Bit 7:5	SPARE	R	000	
Bit 4:0	ISINK[4:0]	R	01000	ISINK dc current setting TPS657095: Factory programmed to 5'b01000 (10mA)

7.6.6 LDO_CTRL Register Address: 05h
Figure 21. LDO_CTRL Register

LDO_CTRL	B7	B6	B5	B4	B3	B2	B1	B0
Bit name and function	SPARE	SPARE	PGOOD_LDO2	PGOOD_LDO1	SPARE	SPARE	EN_LDO2	EN_LDO1
Default	0	0	-	-	0	0	0	0
Default set by:	OTP	OTP	OTP	OTP	OTP	OTP	OTP	OTP
Default value loaded by:	UVLO	UVLO	PGOOD of LDO2	PGOOD of LDO1	UVLO	UVLO	UVLO	UVLO
Read/write	R	R	R	R	R	R	R/W	R/W

LEGEND: R/W = Read/Write; R = Read only;

Table 9. LDO_CTRL Register Field Descriptions

Bit	Field	Type	Reset	Description
Bit 7:6	SPARE	R	00	
Bit 5	PGOOD LDO2	R	–	Power good status Bit for LDO2 (power good threshold relative to target value: 95% rising and 90% falling) 0 = the output voltage of LDO2 is below the power good threshold or LDO2 is disabled; default value as LDO2 is disabled by default 1 = the output voltage of LDO2 is above the power good threshold
Bit 4	PGOOD LDO1	R	–	Power good status Bit for LDO1 (power good threshold relative to target value: 95% rising and 90% falling) 0 = the output voltage of LDO1 is below the power good threshold or LDO1 is disabled; default value as LDO1 is disabled by default 1 = the output voltage of LDO1 is above the power good threshold
Bit 3	NC:	R	0	
Bit 2	SPARE	R	0	
Bit 1	EN_LDO2	R/W	0	0 = LDO2 is disabled (Default: TPS657095) 1 = LDO2 is enabled
Bit 0	EN_LDO1	R/W	0	0 = LDO1 is disabled (Default: TPS657095) 1 = LDO1 is enabled

7.6.7 LDO1_VCTRL Register Address: 06h

Figure 22. LDO1_VCTRL Register

LDO1_VCTRL	B7	B6	B5	B4	B3	B2	B1	B0
Bit name and function	SPARE	SPARE	LDO1[5]	LDO1[4]	LDO1[3]	LDO1[2]	LDO1[1]	LDO1[0]
Default	0	0	1	0	0	1	0	0
Default set by:	OTP	OTP	OTP	OTP	OTP	OTP	OTP	OTP
Default value loaded by:	UVLO	UVLO	UVLO	UVLO	UVLO	UVLO	UVLO	UVLO
Read/write	R	R	R/W	R/W	R/W	R/W	R/W	R/W

LEGEND: R/W = Read/Write; R = Read only;

Table 10. LDO1_VCTRL Register Field Descriptions

Bit	Field	Type	Reset	Description
Bit 7:6	SPARE	R	00	
Bit 5:0	LDO1[5:0]	R/W	100100	Output voltage setting for LDO1 ⁽¹⁾⁽²⁾

- (1) A Voltage change during operation must not exceed 8% of the value set in the register for each I2C write access as this may trigger the internal power good comparator and will trigger the Reset of the device. This limitation is only for a voltage step to higher voltages. There is no limitation for programming lower voltages by I2C.
- (2) The output voltage setting cannot be changed if the LOCK_BIT in the OTP_REV_LOCK_BIT register is set to a logic '1'.

7.6.8 LDO2_VCTRL Register Address: 07h

Figure 23. LDO2_VCTRL Register

LDO2_VCTRL	B7	B6	B5	B4	B3	B2	B1	B0
Bit name and function	SPARE	SPARE	LDO2[5]	LDO2[4]	LDO2[3]	LDO2[2]	LDO2[1]	LDO2[0]
Default	0	0	0	1	0	0	0	0
Default set by:	OTP	OTP	OTP	OTP	OTP	OTP	OTP	OTP
Default value loaded by:	UVLO	UVLO	UVLO	UVLO	UVLO	UVLO	UVLO	UVLO
Read/write	R	R	R/W	R/W	R/W	R/W	R/W	R/W

LEGEND: R/W = Read/Write; R = Read only;

Table 11. LDO2_VCTRL Field Descriptions

Bit	Field	Type	Reset	Description
Bit 7:6	SPARE	R	00	
Bit 5:0	LDO2[5:0]	R/W	010000	Output voltage setting for LDO2 ⁽¹⁾⁽²⁾

- (1) A Voltage change during operation must not exceed 8% of the value set in the register for each I2C write access as this may trigger the internal power good comparator and will trigger the Reset of the device. This limitation is only for a voltage step to higher voltages. There is no limitation for programming lower voltages by I2C.
- (2) The output voltage setting cannot be changed if the LOCK_BIT in the OTP_REV_LOCK_BIT register is set to a logic '1'.

	OUTPUT VOLTAGE [V]	B5	B4	B3	B2	B1	B0
0	0.800	0	0	0	0	0	0
1	0.825	0	0	0	0	0	1
2	0.850	0	0	0	0	1	0
3	0.875	0	0	0	0	1	1
4	0.900	0	0	0	1	0	0
5	0.925	0	0	0	1	0	1

	OUTPUT VOLTAGE [V]	B5	B4	B3	B2	B1	B0
6	0.950	0	0	0	1	1	0
7	0.975	0	0	0	1	1	1
8	1.000	0	0	1	0	0	0
9	1.025	0	0	1	0	0	1
10	1.050	0	0	1	0	1	0
11	1.075	0	0	1	0	1	1
12	1.100	0	0	1	1	0	0
13	1.125	0	0	1	1	0	1
14	1.150	0	0	1	1	1	0
15	1.175	0	0	1	1	1	1
16	1.200	0	1	0	0	0	0
17	1.225	0	1	0	0	0	1
18	1.250	0	1	0	0	1	0
19	1.275	0	1	0	0	1	1
20	1.300	0	1	0	1	0	0
21	1.325	0	1	0	1	0	1
22	1.350	0	1	0	1	1	0
23	1.375	0	1	0	1	1	1
24	1.400	0	1	1	0	0	0
25	1.425	0	1	1	0	0	1
26	1.450	0	1	1	0	1	0
27	1.475	0	1	1	0	1	1
28	1.500	0	1	1	1	0	0
29	1.525	0	1	1	1	0	1
30	1.550	0	1	1	1	1	0
31	1.575	0	1	1	1	1	1
32	1.600	1	0	0	0	0	0
33	1.650	1	0	0	0	0	1
34	1.700	1	0	0	0	1	0
35	1.750	1	0	0	0	1	1
36	1.800	1	0	0	1	0	0
37	1.850	1	0	0	1	0	1
38	1.900	1	0	0	1	1	0
39	1.950	1	0	0	1	1	1
40	2.000	1	0	1	0	0	0
41	2.050	1	0	1	0	0	1
42	2.100	1	0	1	0	1	0
43	2.150	1	0	1	0	1	1
44	2.200	1	0	1	1	0	0
45	2.250	1	0	1	1	0	1
46	2.300	1	0	1	1	1	0
47	2.350	1	0	1	1	1	1
48	2.400	1	1	0	0	0	0
49	2.450	1	1	0	0	0	1
50	2.500	1	1	0	0	1	0
51	2.550	1	1	0	0	1	1
52	2.600	1	1	0	1	0	0
53	2.650	1	1	0	1	0	1
54	2.700	1	1	0	1	1	0

	OUTPUT VOLTAGE [V]	B5	B4	B3	B2	B1	B0
55	2.750	1	1	0	1	1	1
56	2.800	1	1	1	0	0	0
57	2.850	1	1	1	0	0	1
58	2.900	1	1	1	0	1	0
59	2.950	1	1	1	0	1	1
60	3.000	1	1	1	1	0	0
61	3.100	1	1	1	1	0	1
62	3.200	1	1	1	1	1	0
63	3.300	1	1	1	1	1	1

7.6.9 PWM_DUTY_THR_L Register Address: 08h

Figure 24. PWM_DUTY_THR_L Register

PWM_DUTY_THR_L	B7	B6	B5	B4	B3	B2	B1	B0
Bit name and function	PWM_DC_TH[7]	PWM_DC_TH[6]	PWM_DC_TH[5]	PWM_DC_TH[4]	PWM_DC_TH[3]	PWM_DC_TH[2]	PWM_DC_TH[1]	PWM_DC_TH[0]
Default	1	1	1	1	1	1	1	1
Default set by:	OTP	OTP	OTP	OTP	OTP	OTP	OTP	OTP
Default value loaded by:	UVLO	UVLO	UVLO	UVLO	UVLO	UVLO	UVLO	UVLO
Read/write	R	R	R	R	R	R	R	R

LEGEND: R/W = Read/Write; R = Read only;

Table 12. PWM_DUTY_THR_L Register Field Descriptions

Bit	Field	Type	Reset	Description
Bit 7:0	PWM_DC_TH[7:0]	R	11111111	Lower 8 bits of PWM duty cycle threshold for internally generated PWM on ISINK ⁽¹⁾

(1) The contents of the PWM_DUTY_THR_L register is factory programmed and read only.

7.6.10 PWM_DUTY_THR_H Register Address: 09h
Figure 25. PWM_DUTY_THR_H Register

PWM_DUTY_THR_H	B7	B6	B5	B4	B3	B2	B1	B0
Bit name and function							PWM_DC_TH[9]	PWM_DC_T H[8]
Default	0	0	0	0	0	0	0	0
Default set by:	OTP	OTP	OTP	OTP	OTP	OTP	OTP	OTP
Default value loaded by:	UVLO	UVLO	UVLO	UVLO	UVLO	UVLO	UVLO	UVLO
Read/write	R	R	R	R	R	R	R	R

LEGEND: R/W = Read/Write; R = Read only;

Table 13. PWM_DUTY_THR_H Register Field Descriptions

Bit	Field	Type	Reset	Description
Bit 7:0	PWM_DC_TH[7:0]	R	00000000	Higher 2 Bits of PWM duty cycle threshold for internally generated PWM on ISINK
	PWM_DC_TH[9:0]	R	00000000	000h = 0% duty cycle 3FFh = 99.9% duty cycle

(1) The contents of the PWM_DUTY_THR_H register is factory programmed and read only.

7.6.11 RESERVED Register Address: 0Ah

Reserved

7.6.12 PWM_DUTY_L Register Address: 0Bh

Figure 26. PWM_DUTY_L Register

PWM_DUTY_L	B7	B6	B5	B4	B3	B2	B1	B0
Bit name and function	PWM_DC[7]	PWM_DC[6]	PWM_DC[5]	PWM_DC[4]	PWM_DC[3]	PWM_DC[2]	PWM_DC[1]	PWM_DC[0]; LSB
Default	see (1)	see (1)	see (1)	see (1)	see (1)	see (1)	see (1)	see (1)
Default value loaded by:	UVLO	UVLO	UVLO	UVLO	UVLO	UVLO	UVLO	UVLO
Read/write	R/W	R/W	R/W	R/W	R/W	R/W	R/W	R/W

LEGEND: R/W = Read/Write; R = Read only;

- (1) The default value in the register is 0x00. Any value written to the PWM_DUTY_1 and PWM_DUTY_2 registers is internally compared to PWM_DUTY_THR_L and PWM_DUTY_THR_H. A value below <PWM_DUTY_THR_H><PWM_DUTY_THR_L> is latched to the register but is internally ignored for setting the duty cycle and will result in a PWM signal with the minimum duty cycle defined by <PWM_DUTY_THR_H><PWM_DUTY_THR_L>

Table 14. PWM_DUTY_L Register Field Descriptions

Bit	Field	Type	Reset	Description
Bit 7:0	PWM_DC[7:0]	R/W	00000000	Lower 8 bits for duty cycle of internally generated PWM on ISINK ⁽¹⁾⁽²⁾⁽³⁾

- (1) The default value in the register is 0x00. Any value written to the PWM_DUTY_1 and PWM_DUTY_2 registers is internally compared to PWM_DUTY_THR_L and PWM_DUTY_THR_H. A value below <PWM_DUTY_THR_H><PWM_DUTY_THR_L> is latched to the register but is internally ignored for setting the duty cycle and will result in a PWM signal with the minimum duty cycle defined by <PWM_DUTY_THR_H><PWM_DUTY_THR_L>
- (2) A new value in PWM_DUTY_L and PWM_DUTY_H is internally valid after writing to PWM_DUTY_H AND the dithering cycle is completed, therefore PWM_DUTY_L should be written to first.
- (3) A Duty Cycle of 1% or less may not be visible when the PWM frequency is 3KHz. At 24KHz, a Duty Cycle of 8% or less may not be visible.

7.6.13 PWM_DUTY_H Register Address: 0Ch

Figure 27. PWM_DUTY_H Register

PWM_DUTY_H	B7	B6	B5	B4	B3	B2	B1	B0
Bit name and function							PWM_DC[9]; MSB	PWM_DC[8]
Default	0	0	0	0	0	0	see Note1	see Note1
Default value loaded by:	UVLO	UVLO	UVLO	UVLO	UVLO	UVLO	UVLO	UVLO
Read/write	R	R	R	R	R	R	R/W	R/W

LEGEND: R/W = Read/Write; R = Read only;

Table 15. PWM_DUTY_H Register Field Descriptions

Bit	Field	Type	Reset	Description
Bit 7:2		R	000000	
Bit 1:0	PWM_DC[9:8]	R/W	00	Higher 2 Bits for duty cycle of internally generated PWM on ISINK ⁽¹⁾⁽²⁾⁽³⁾
	PWM_DC[9:0]			00h = 0% duty cycle 3FFh = 99.9% duty cycle

- (1) The default value in the register is 0x00. Any value written to the PWM_DUTY_L and PWM_DUTY_H registers is internally compared to PWM_DUTY_THR_L and PWM_DUTY_THR_H. A value below <PWM_DUTY_THR_H><PWM_DUTY_THR_L> is latched to the register but is internally ignored for setting the duty cycle and will result in a PWM signal with the minimum duty cycle defined by <PWM_DUTY_THR_H><PWM_DUTY_THR_L>
- (2) A new value in PWM_DUTY_L and PWM_DUTY_H is internally valid after writing to PWM_DUTY_H AND the dithering cycle is completed, therefore PWM_DUTY_L should be written to first.
- (3) A Duty Cycle of 1% or less may not be visible when the PWM frequency is 3KHz. At 24KHz, a Duty Cycle of 8% or less may not be visible.

7.6.14 RESERVED Register Address: 0Dh

Reserved

7.6.15 SPARE Register Address: 0Eh
Figure 28. SPARE Register

SPARE	B7	B6	B5	B4	B3	B2	B1	B0
Bit name and function	SPARE[7]	SPARE[6]	SPARE[5]	SPARE[4]	SPARE[3]	SPARE[2]	SPARE[1]	SPARE[0]
Default	0	0	0	0	0	0	0	0
Default value loaded by:	UVLO	UVLO	UVLO	UVLO	UVLO	UVLO	UVLO	UVLO
Read/write	R/W	R/W	R/W	R/W	R/W	R/W	R/W	R/W

LEGEND: R/W = Read/Write; R = Read only;

Table 16. SPARE Register Field Descriptions

Bit	Field	Type	Reset	Description
Bit 7:0	SPARE[7:0]	R/W	00000000	Spare Register Bits

7.6.16 4K_OTP_PASSWORD Register Address: 0Fh
Figure 29. 4K_OTP_PASSWORD Register

4K_OTP_PASSWORD	B7	B6	B5	B4	B3	B2	B1	BO
Bit name and function	PW[7]	PW[6]	PW[5]	PW[4]	PW[3]	PW[2]	PW[1]	PW[0]
Default	0	0	0	0	0	0	0	0
Default value loaded by:	UVLO	UVLO	UVLO	UVLO	UVLO	UVLO	UVLO	UVLO
Read/write	W	W	W	W	W	W	W	W

LEGEND: R/W = Read/Write; R = Read only;

Table 17. 4K_OTP_PASSWORD Register Field Descriptions

Bit	Field	Type	Reset	Description
Bit 7:0	PW[7:0]	W	00000000	User 4K OTP Password Register: The correct password enables the qualifier for writing to the User 4K OTP. The password is Implemented as a 2 Byte sequential write which must be performed back to back with no restriction on the delay between the writes. If the correct password is not set, writing to the User 4K OTP memory is disabled.

8 Application and Implementation

NOTE

Information in the following applications and implementation sections is not part of the TI component specification, and TI does not warrant its accuracy or completeness. TI's customers are responsible for determining suitability of components for their purposes. Customers should validate and test their design implementation to confirm system functionality.

8.1 Application Information

The target application for the TPS657095 device is powering an embedded camera module.

8.2 Typical Application

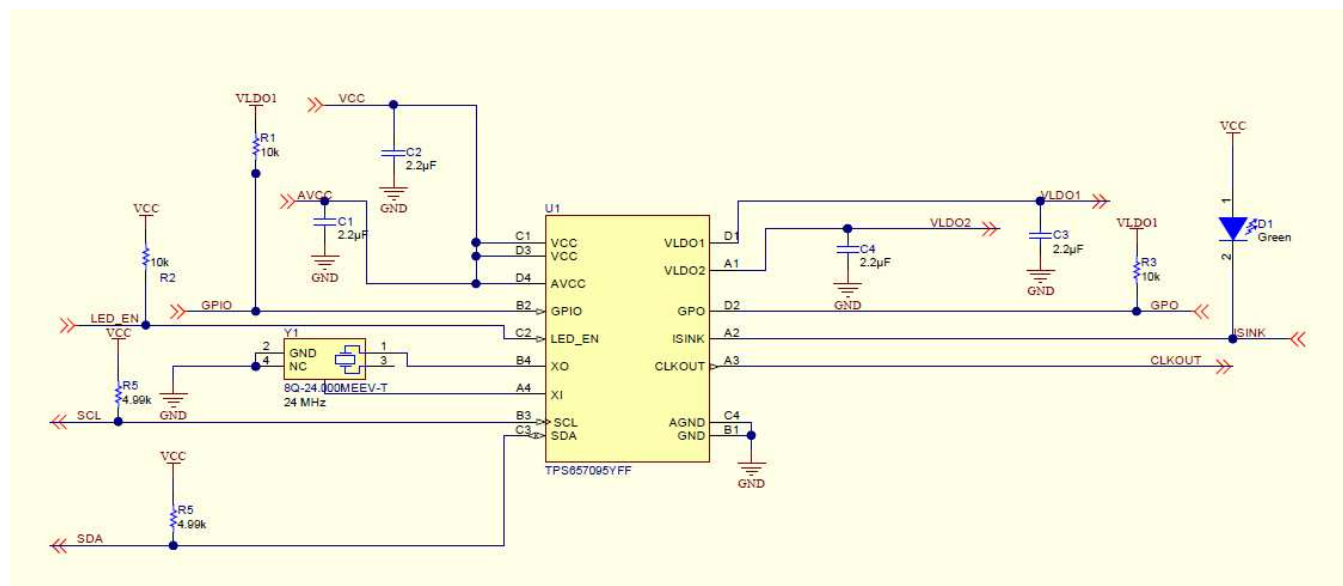


Figure 30. Application Schematic

8.2.1 Design Requirements

Table 18. Design Parameters

DESIGN PARAMETER	VALUE
Typical Input Voltage	5V
LDO1 Output Voltage	1.8V (off by default)
LDO2 Output Voltage	1.2V (off by default)

8.2.2 Detailed Design Procedure

8.2.2.1 Output Capacitor Selection

The control loop of the LDOs is internally compensated such that they operate with small ceramic output capacitors of 2.2 μ F.

8.2.2.2 Input Capacitor Selection

A low ESR input capacitor is required for best input voltage filtering and minimizing the interference with other circuits. The LDOs need a ceramic input capacitor with a minimum capacitance of 1.0 μ F. The input capacitor can be increased without any limit for better input voltage filtering.

Table 19. Tested Capacitors

TYPE	VALUE	VOLTAGE RATING	SIZE	SUPPLIER	MATERIAL
GRM155R60J225ME15D	2.2 μ F	6.3 V	0402	Murata	Ceramic X5R
GRM185R60J225	2.2 μ F	6.3 V	0603	Murata	Ceramic X5R
GRM185R60J105K	1 μ F	6.3 V	0603	Murata	Ceramic X5R

8.2.3 Application Curves

The graphs below were taken using the TPS657095EVM with the passive components as listed below:

- $C_{IN}(VCC) = GRM185R60J105K$ (1 μ F / 6.3V)
- $C_{OUT}(LDO1) = C_{OUT}(LDO2) = GRM185R60J225$ (2.2 μ F / 6.3 V)
- $V_{CC} = 5$ V unless otherwise noted

Table 20. Table of Graphs

DESCRIPTION		FIGURE
Line Transient Response LDO1	$V_{CC} = 3.6V$ to 5V to 3.6V; $I_{OUT} = 75mA$; $V_{OUT} = 1.8V$	Figure 31
Line Transient Response LDO2	$V_{CC} = 3.6V$ to 5V to 3.6V; $I_{OUT} = 75mA$; $V_{OUT} = 2.8V$	Figure 32
Load Transient Response LDO1	$V_{CC} = 5V$; $I_{OUT} = 7.5mA$ to 68mA to 7.5mA; $V_{OUT} = 1.8V$	Figure 33
Load Transient Response LDO2	$V_{CC} = 5V$; $I_{OUT} = 7.5mA$ to 68mA to 7.5mA; $V_{OUT} = 2.8V$	Figure 34
LDO1 and LDO2 Start-up Timing	$V_{CC} = 5V$; $I_{OUT} = 0mA$	Figure 35
LDO1 and LDO2 Start-up Timing	$V_{CC} = 5V$; $I_{OUT} = 75mA$	Figure 36
Duty Cycle on CLKout vs Programmed Frequency	$V_{CC} = 5V$; $f_{(crystal)} = 24MHz$; $V_{LDO1} = 1.8V$	Figure 37
Period Jitter on CLKout vs Temperature and Output Frequency	$V_{CC} = 5V$; $f_{(crystal)} = 24MHz$; $V_{LDO1} = 1.8V$	Figure 38

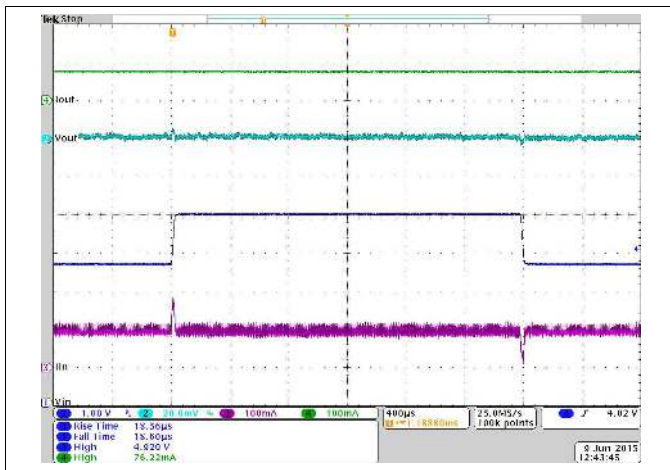


Figure 31. Line Transient Response LDO1

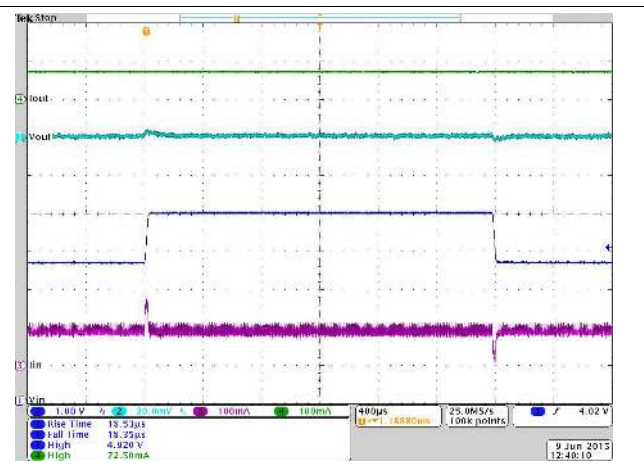


Figure 32. Line Transient Response LDO2

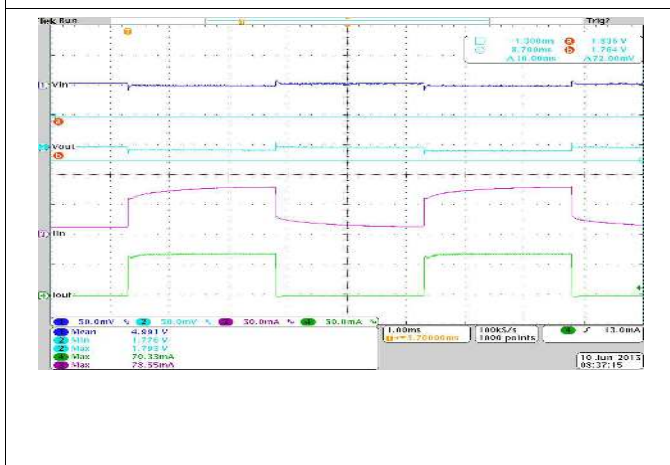


Figure 33. Load Transient Response LDO1

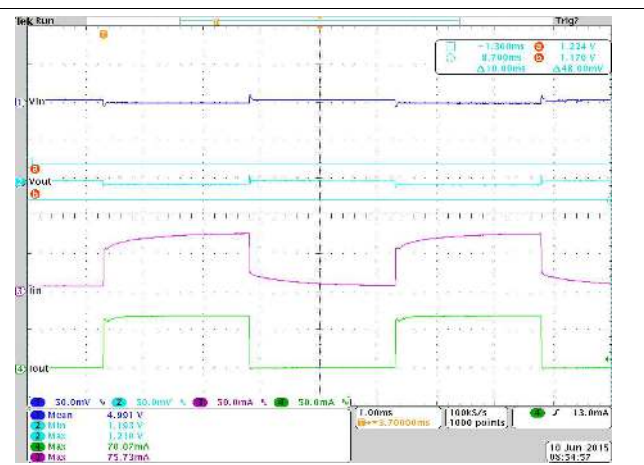


Figure 34. Load Transient Response LDO2

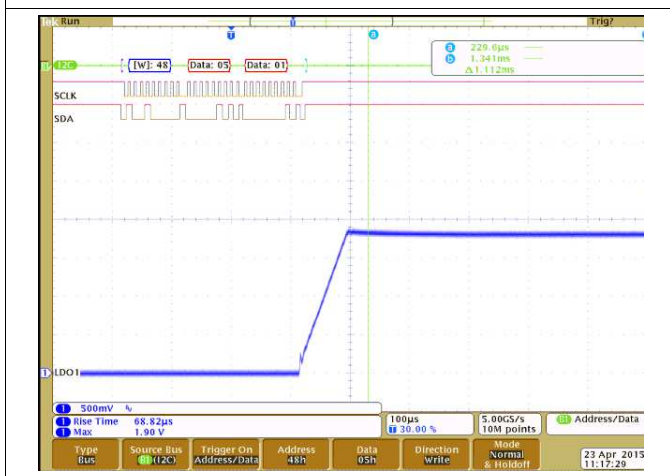


Figure 35. LDO1 Start-up Timing

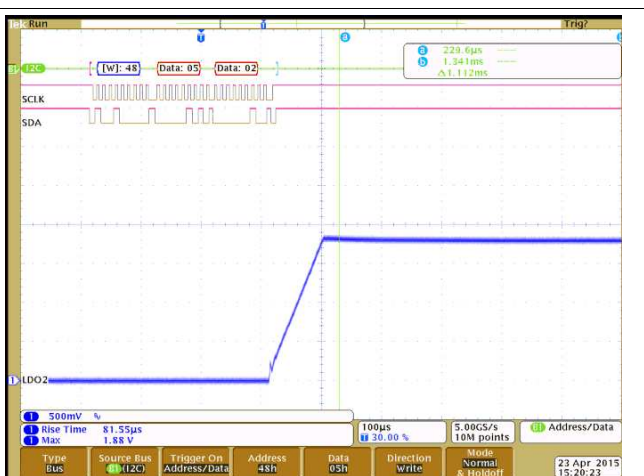
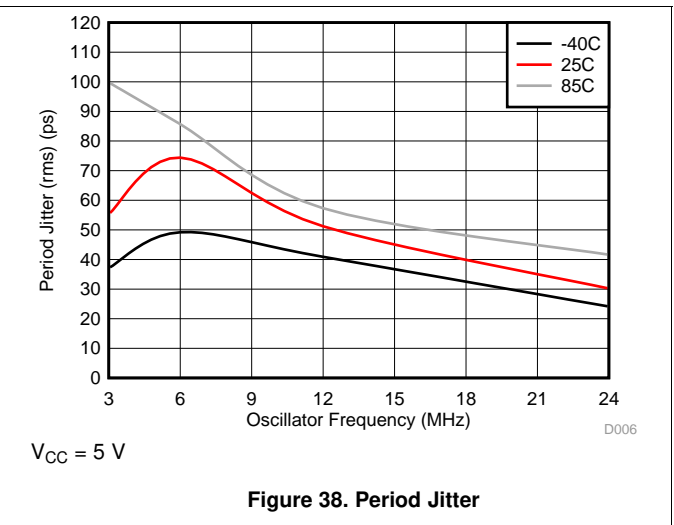
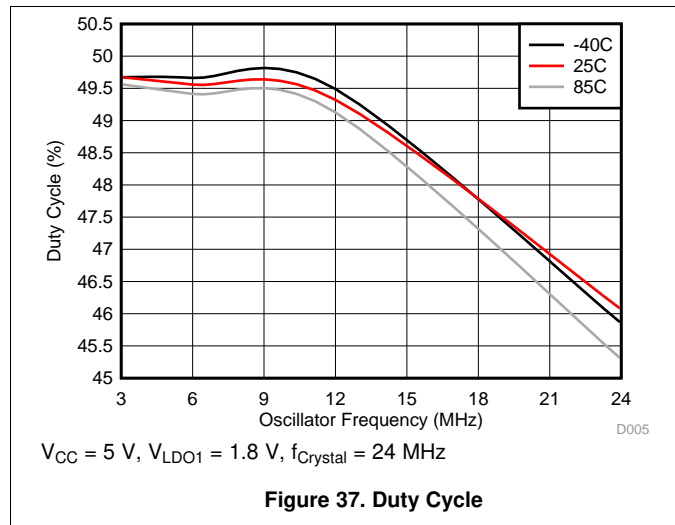


Figure 36. LDO2 Start-up Timing



9 Power Supply Recommendations

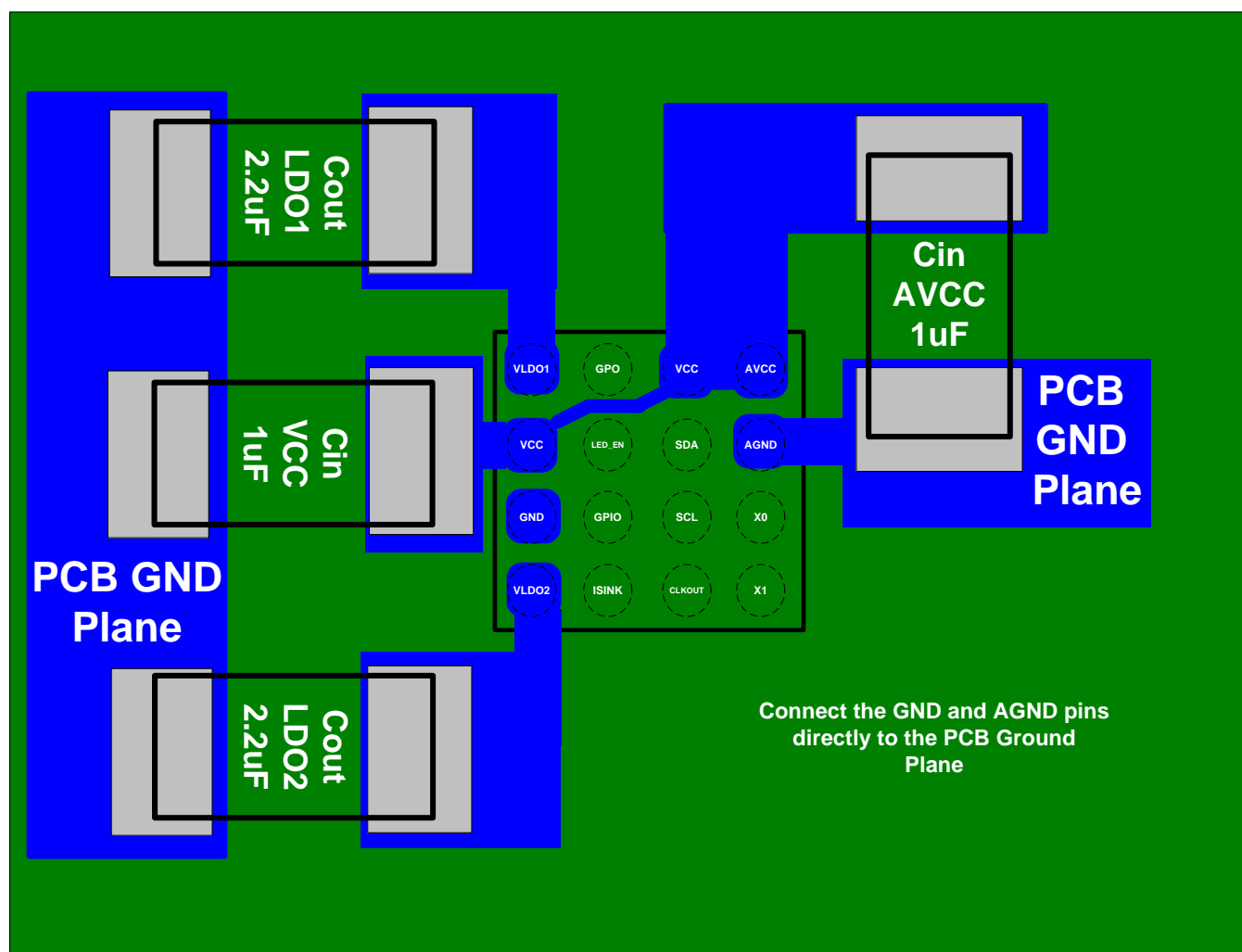
The TPS657095 devices are designed to operate from an input voltage range of 3.7V to 6V. The input supply should be well regulated.

10 Layout

10.1 Layout Guidelines

- The VCC and AVCC terminals should be bypassed to ground with a low ESR ceramic bypass capacitor. The typical recommended bypass capacitance is 1uF with a X5R or X7R dielectric.
- The optimum placement is closest to the AVCC terminal and the AGND terminal.
- The AGND and GND terminals should be tied to the pcb ground plane at the terminal of the IC

10.2 Layout Example



11 Device and Documentation Support

11.1 Device Support

11.1.1 Third-Party Products Disclaimer

TI'S PUBLICATION OF INFORMATION REGARDING THIRD-PARTY PRODUCTS OR SERVICES DOES NOT CONSTITUTE AN ENDORSEMENT REGARDING THE SUITABILITY OF SUCH PRODUCTS OR SERVICES OR A WARRANTY, REPRESENTATION OR ENDORSEMENT OF SUCH PRODUCTS OR SERVICES, EITHER ALONE OR IN COMBINATION WITH ANY TI PRODUCT OR SERVICE.

11.2 Community Resources

The following links connect to TI community resources. Linked contents are provided "AS IS" by the respective contributors. They do not constitute TI specifications and do not necessarily reflect TI's views; see TI's [Terms of Use](#).

TI E2E™ Online Community *TI's Engineer-to-Engineer (E2E) Community*. Created to foster collaboration among engineers. At e2e.ti.com, you can ask questions, share knowledge, explore ideas and help solve problems with fellow engineers.

Design Support *TI's Design Support* Quickly find helpful E2E forums along with design support tools and contact information for technical support.

11.3 Trademarks

E2E, NanoFree are trademarks of Texas Instruments.

I²C is a trademark of NXP B.V Corporation.

All other trademarks are the property of their respective owners.

11.4 Electrostatic Discharge Caution



These devices have limited built-in ESD protection. The leads should be shorted together or the device placed in conductive foam during storage or handling to prevent electrostatic damage to the MOS gates.

11.5 Glossary

SLYZ022 — *TI Glossary*.

This glossary lists and explains terms, acronyms, and definitions.

12 Mechanical, Packaging, and Orderable Information

The following pages include mechanical, packaging, and orderable information. This information is the most current data available for the designated devices. This data is subject to change without notice and revision of this document. For browser-based versions of this data sheet, refer to the left-hand navigation.

12.1 Package Summary

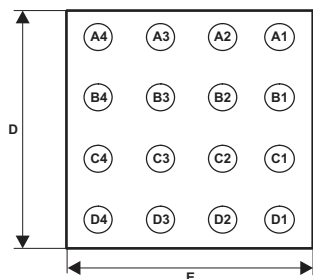


Figure 39. Chip Scale Package (Bottom View)

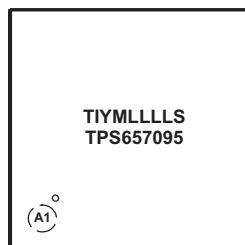


Figure 40. Chip Scale Package (Top View)

Code:



- YM — Year Month date code
- LLLL — Lot trace code
- S — Assembly site code

12.2 Chip Scale Package Dimensions

The TPS657095 device is available in a 16-bump chip scale package (YFF, NanoFree™). The package dimensions are given as:

- D = ca. 1700 ±25 μm
- E = ca. 1700 ±25 μm

PACKAGING INFORMATION

Orderable Device	Status (1)	Package Type	Package Drawing	Pins	Package Qty	Eco Plan (2)	Lead finish/ Ball material (6)	MSL Peak Temp (3)	Op Temp (°C)	Device Marking (4/5)	Samples
TPS657095YFFR	ACTIVE	DSBGA	YFF	16	3000	RoHS & Green	SNAGCU	Level-1-260C-UNLIM	-40 to 85	TPS 657095	
TPS657095YFFT	ACTIVE	DSBGA	YFF	16	250	RoHS & Green	SNAGCU	Level-1-260C-UNLIM	-40 to 85	TPS 657095	

(1) The marketing status values are defined as follows:

ACTIVE: Product device recommended for new designs.

LIFEBUY: TI has announced that the device will be discontinued, and a lifetime-buy period is in effect.

NRND: Not recommended for new designs. Device is in production to support existing customers, but TI does not recommend using this part in a new design.

PREVIEW: Device has been announced but is not in production. Samples may or may not be available.

OBSOLETE: TI has discontinued the production of the device.

(2) **RoHS:** TI defines "RoHS" to mean semiconductor products that are compliant with the current EU RoHS requirements for all 10 RoHS substances, including the requirement that RoHS substance do not exceed 0.1% by weight in homogeneous materials. Where designed to be soldered at high temperatures, "RoHS" products are suitable for use in specified lead-free processes. TI may reference these types of products as "Pb-Free".

RoHS Exempt: TI defines "RoHS Exempt" to mean products that contain lead but are compliant with EU RoHS pursuant to a specific EU RoHS exemption.

Green: TI defines "Green" to mean the content of Chlorine (Cl) and Bromine (Br) based flame retardants meet JS709B low halogen requirements of <=1000ppm threshold. Antimony trioxide based flame retardants must also meet the <=1000ppm threshold requirement.

(3) MSL, Peak Temp. - The Moisture Sensitivity Level rating according to the JEDEC industry standard classifications, and peak solder temperature.

(4) There may be additional marking, which relates to the logo, the lot trace code information, or the environmental category on the device.

(5) Multiple Device Markings will be inside parentheses. Only one Device Marking contained in parentheses and separated by a "~" will appear on a device. If a line is indented then it is a continuation of the previous line and the two combined represent the entire Device Marking for that device.

(6) Lead finish/Ball material - Orderable Devices may have multiple material finish options. Finish options are separated by a vertical ruled line. Lead finish/Ball material values may wrap to two lines if the finish value exceeds the maximum column width.

Important Information and Disclaimer:The information provided on this page represents TI's knowledge and belief as of the date that it is provided. TI bases its knowledge and belief on information provided by third parties, and makes no representation or warranty as to the accuracy of such information. Efforts are underway to better integrate information from third parties. TI has taken and continues to take reasonable steps to provide representative and accurate information but may not have conducted destructive testing or chemical analysis on incoming materials and chemicals. TI and TI suppliers consider certain information to be proprietary, and thus CAS numbers and other limited information may not be available for release.

In no event shall TI's liability arising out of such information exceed the total purchase price of the TI part(s) at issue in this document sold by TI to Customer on an annual basis.

TAPE AND REEL INFORMATION

QUADRANT ASSIGNMENTS FOR PIN 1 ORIENTATION IN TAPE


*All dimensions are nominal

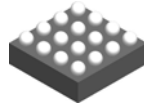
Device	Package Type	Package Drawing	Pins	SPQ	Reel Diameter (mm)	Reel Width W1 (mm)	A0 (mm)	B0 (mm)	K0 (mm)	P1 (mm)	W (mm)	Pin1 Quadrant
TPS657095YFFR	DSBGA	YFF	16	3000	180.0	8.4	1.78	1.78	0.69	4.0	8.0	Q1
TPS657095YFFT	DSBGA	YFF	16	250	180.0	8.4	1.78	1.78	0.69	4.0	8.0	Q1

TAPE AND REEL BOX DIMENSIONS


*All dimensions are nominal

Device	Package Type	Package Drawing	Pins	SPQ	Length (mm)	Width (mm)	Height (mm)
TPS657095YFFR	DSBGA	YFF	16	3000	182.0	182.0	20.0
TPS657095YFFT	DSBGA	YFF	16	250	182.0	182.0	20.0

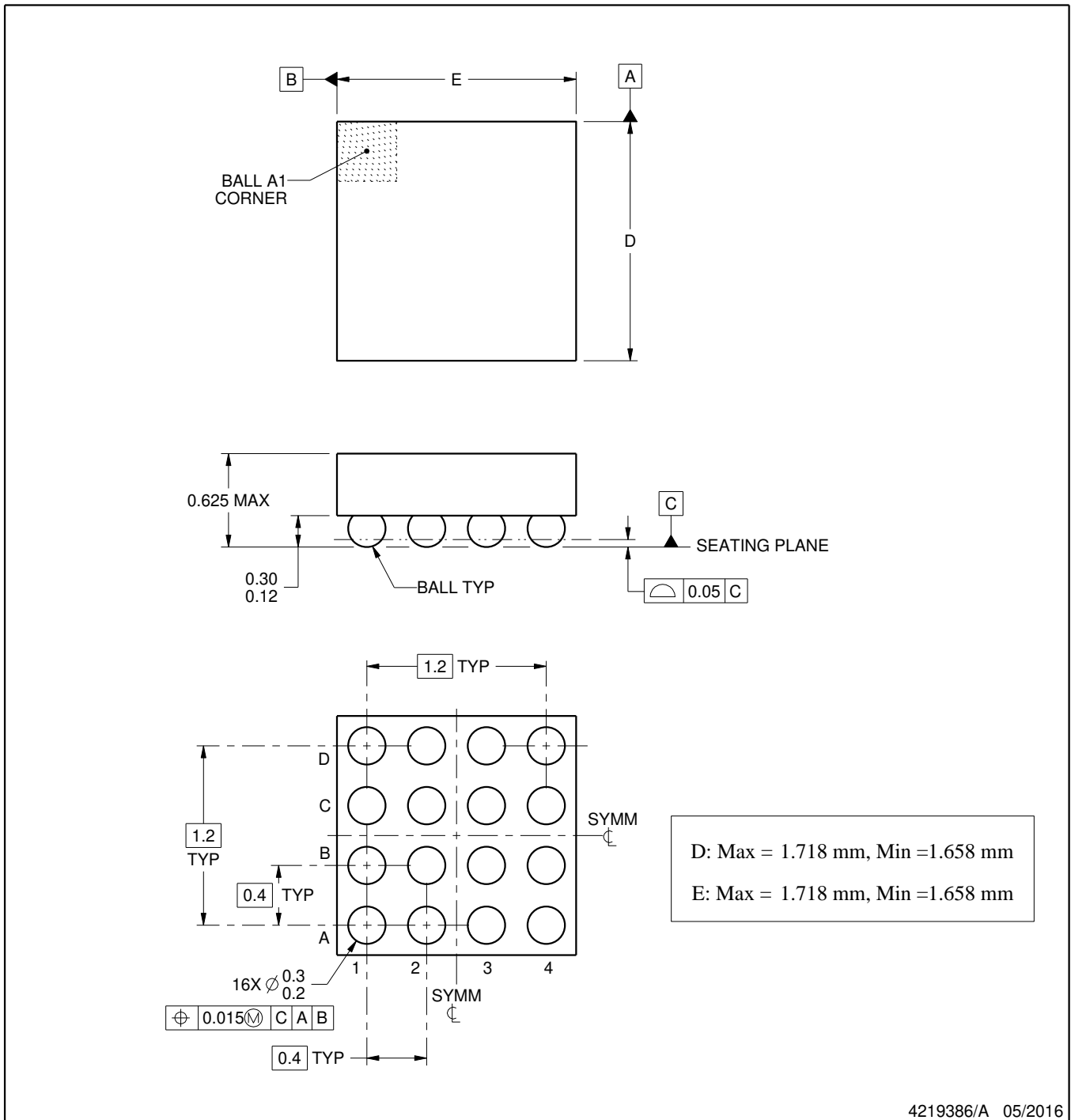
YFF0016



PACKAGE OUTLINE

DSBGA - 0.625 mm max height

DIE SIZE BALL GRID ARRAY



NOTES:

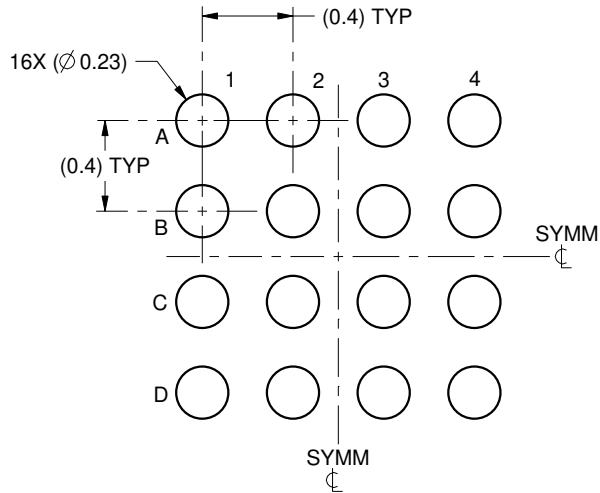
1. All linear dimensions are in millimeters. Any dimensions in parenthesis are for reference only. Dimensioning and tolerancing per ASME Y14.5M.
2. This drawing is subject to change without notice.

EXAMPLE BOARD LAYOUT

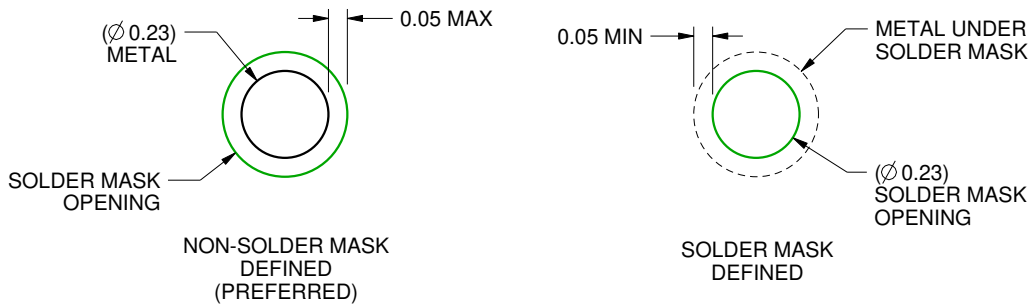
YFF0016

DSBGA - 0.625 mm max height

DIE SIZE BALL GRID ARRAY



LAND PATTERN EXAMPLE
SCALE:30X



SOLDER MASK DETAILS
NOT TO SCALE

4219386/A 05/2016

NOTES: (continued)

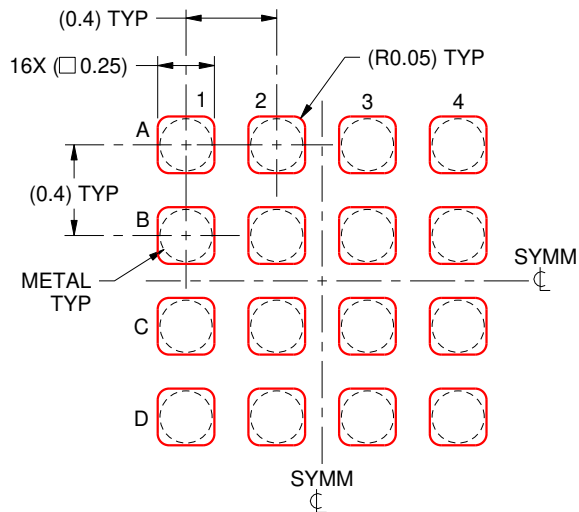
3. Final dimensions may vary due to manufacturing tolerance considerations and also routing constraints. For more information, see Texas Instruments literature number SNVA009 (www.ti.com/lit/snva009).

EXAMPLE STENCIL DESIGN

YFF0016

DSBGA - 0.625 mm max height

DIE SIZE BALL GRID ARRAY



SOLDER PASTE EXAMPLE
BASED ON 0.1 mm THICK STENCIL
SCALE:30X

4219386/A 05/2016

NOTES: (continued)

4. Laser cutting apertures with trapezoidal walls and rounded corners may offer better paste release.

IMPORTANT NOTICE AND DISCLAIMER

TI PROVIDES TECHNICAL AND RELIABILITY DATA (INCLUDING DATA SHEETS), DESIGN RESOURCES (INCLUDING REFERENCE DESIGNS), APPLICATION OR OTHER DESIGN ADVICE, WEB TOOLS, SAFETY INFORMATION, AND OTHER RESOURCES "AS IS" AND WITH ALL FAULTS, AND DISCLAIMS ALL WARRANTIES, EXPRESS AND IMPLIED, INCLUDING WITHOUT LIMITATION ANY IMPLIED WARRANTIES OF MERCHANTABILITY, FITNESS FOR A PARTICULAR PURPOSE OR NON-INFRINGEMENT OF THIRD PARTY INTELLECTUAL PROPERTY RIGHTS.

These resources are intended for skilled developers designing with TI products. You are solely responsible for (1) selecting the appropriate TI products for your application, (2) designing, validating and testing your application, and (3) ensuring your application meets applicable standards, and any other safety, security, regulatory or other requirements.

These resources are subject to change without notice. TI grants you permission to use these resources only for development of an application that uses the TI products described in the resource. Other reproduction and display of these resources is prohibited. No license is granted to any other TI intellectual property right or to any third party intellectual property right. TI disclaims responsibility for, and you will fully indemnify TI and its representatives against, any claims, damages, costs, losses, and liabilities arising out of your use of these resources.

TI's products are provided subject to [TI's Terms of Sale](#) or other applicable terms available either on [ti.com](https://www.ti.com) or provided in conjunction with such TI products. TI's provision of these resources does not expand or otherwise alter TI's applicable warranties or warranty disclaimers for TI products.

TI objects to and rejects any additional or different terms you may have proposed.

Mailing Address: Texas Instruments, Post Office Box 655303, Dallas, Texas 75265
Copyright © 2023, Texas Instruments Incorporated