

4

3

2

1

THIS DRAWING IS UNPUBLISHED.

RELEASED FOR PUBLICATION

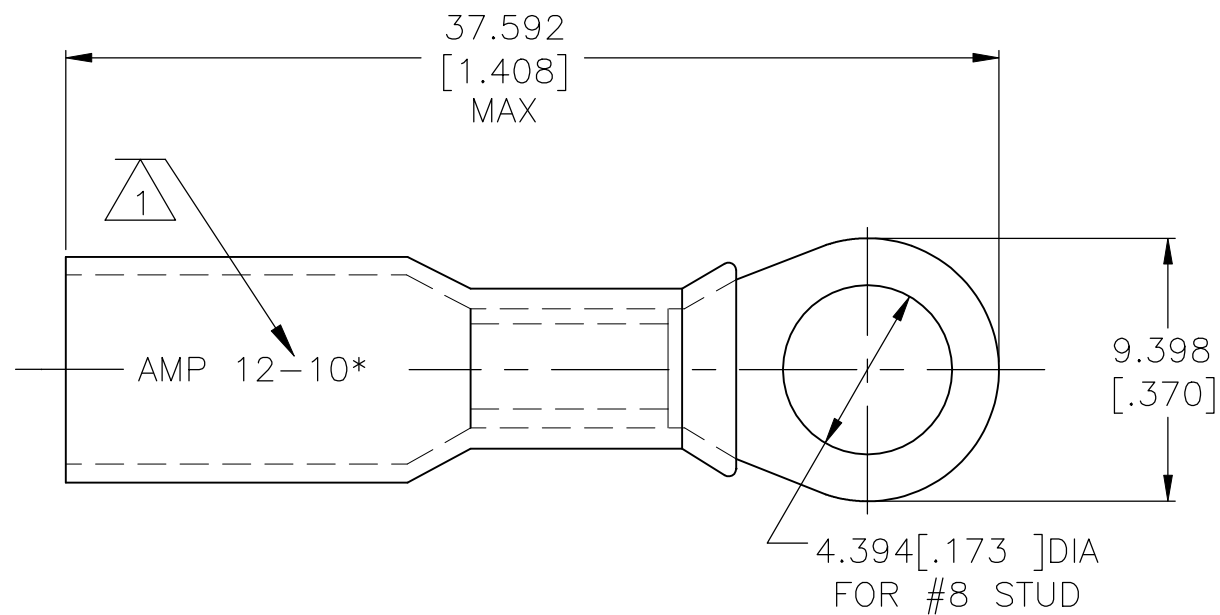
--

© COPYRIGHT - TE Connectivity Ltd.

ALL RIGHTS RESERVED.

REVISIONS

P	LTR	DESCRIPTION	DATE	DWN	APVD
	E	REVISED PER ECR-09-027352	17FEB10	JR	TM
	E1	REVISED PER ECO-17-016703	04APR2018	RS	DR



- 1 STAMP AMP 12-10* APPROX AS SHOWN
- 2 WIRE INSULATION 6.096[.240] DIA MAX
- 3 BODY MATERIAL THK IS 1.016±0.051[.040±.002]
- 4 NOTE DELETED

D

D

C

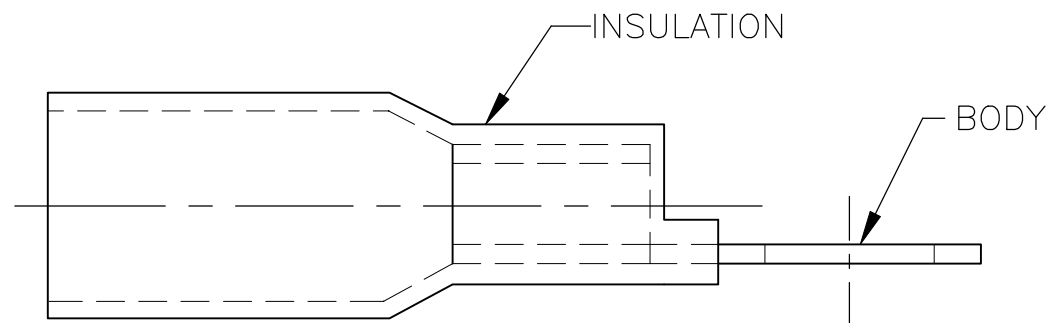
C

B

B

A

A



AMP WIRE RANGE
12-10 AWG STRANDED

25	LOOSE PIECE	8-55856-3
500	LOOSE PIECE	55856-1
QTY	PACKAGE TYPE	PART NO

AMP INCORPORATED CUSTOMER SERVICE SYSTEMS		MAX RECOMMENDED OPERATING TEMPERATURE: 125°C[257°F] MAX	THIS DRAWING IS A CONTROLLED DOCUMENT.		DWN S S GOULDEN 6/93	STE TE Connectivity Ltd.				
FOR ADDITIONAL PRODUCT INFORMATION OR COPIES OF DRAWINGS AND TECHNICAL DOCUMENTS	PRODUCT INFORMATION CENTER 1-800-522-6752	VOLTAGE RATING: 600V MAX (BUILDING WIRING) 1000V MAX (FIXTURES & SIGNS)	DIMENSIONS: mm [INCHES]	TOLERANCES UNLESS OTHERWISE SPECIFIED:	CHK R HERSEY 6/93	NAME TERMINAL, RING TONGUE, SEALABLE HEAT SHRINKABLE 12-10 AWG				
FOR APPLICATION TOOLING INFORMATION	TOOLING ASSISTANCE CENTER 1-800-722-1111	CIRCULAR MIL AREA: 2.62-6.64² [5180-13100] STRANDED		0 PLC ± - 1 PLC ± - 2 PLC ± - 3 PLC ± 0.127[.005] 4 PLC ± - ANGLES ± -	APVD B BARE 6/93					
FOR ORDER ENTRY	1-800-526-5142	THIS DRAWING IS A CONTROLLED DOCUMENT FOR AMP INCORPORATED. IT IS SUBJECT TO CHANGE AND THE CONTROLLING ENGINEERING ORGANIZATION SHOULD BE CONTACTED FOR THE LATEST REVISION.	MATERIAL BODY: ETP COPPER INSULATION: POLYOLEFIN	FINISH BODY: EDP TIN PLATED INSULATION: COLOR-YELLOW	PRODUCT SPEC -	APPLICATION SPEC 408-4022	SIZE A3	CAGE CODE 00779	DRAWING NO C-55856	RESTRICTED TO -
					CUSTOMER DRAWING		SCALE NTS	SHEET 1 OF 1	REV E1	