

### SFP-10G-AOC7M-C

Cisco® SFP-10G-AOC7M Compatible TAA Compliant 10GBase-AOC SFP+ Active Optical Cable (850nm, MMF, 7m)

#### Features

- Electrical interface compliant to SFF-8431
- Hot Pluggable
- Up to 7m Length
- 850nm VCSEL transmitter, PIN photo-detector receiver
- Operating case temperature: 0°C to 70°C
- All-metal housing for superior EMI performance
- RoHS compliant (lead free)



#### Product Description

This is a Cisco® SFP-10G-AOC7M compatible 10GBase-AOC SFP+ to SFP+ active optical cable that operates over multi-mode fiber with a maximum reach of 7.0m (23.0ft). At a wavelength of 850nm, it has been programmed, uniquely serialized, and data-traffic and application tested to ensure it is 100% compliant and functional. This active optical cable is TAA (Trade Agreements Act) compliant, and is built to comply with MSA (Multi-Source Agreement) standards. We stand behind the quality of our products and proudly offer a limited lifetime warranty.

ProLabs' active optical cables are RoHS compliant and lead free.

TAA refers to the Trade Agreements Act (19 U.S.C. & 2501-2581), which is intended to foster fair and open international trade. TAA requires that the U.S. Government may acquire only "U.S. – made or designated country end products.



## Regulatory Compliance

- ESD to the Electrical PINs: compatible with MIL-STD-883 Method 3015.
- ESD to the Duplex LC Receptacle: compatible with IEC 61000-4-2.
- Immunity compatible with IEC 61000-4-3.
- EMI compatible with FCC Part 15 Class B EN55022 Class B (CISPR 22B) VCCI Class B.
- Laser Eye Safety compatible with FDA 21CFR 1040.10 and 1040.11 EN60950, EN (IEC) 60825-1,2.
- RoHs compliant with 2002/95/EC 4.1&4.2 2005/747/EC.

## SFP+AOC Specifications

Parameter	Description
Module Form Factor	SFP+ (Supports SFF8431/SFF8432/SFF8472)
Protocols Supported	InfiniBand, Ethernet, Fiber Channel
Channel Data Rate	Rate 1 to 10.3125Gbps
BER	$<10^{-12}$
Operating Case Temperature	0°C to 70°C
Storage Temperature	-20 to + 85°C
Supply Voltage	3.3V
Supply Current (typical)	230mA per end
Management Interface Serial	I <sup>2</sup> C (Supports SFF8472)

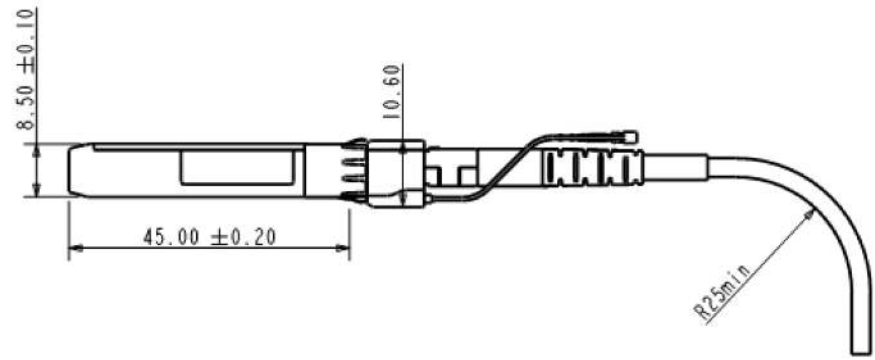
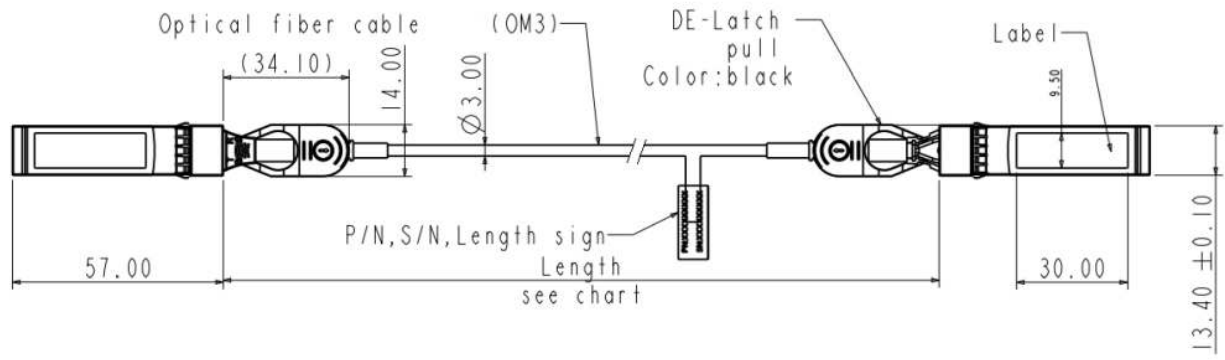
## Optical Characteristics

Parameter	Symbol	Min.	Typ.	Max.	Unit	Notes
<b>Transmitter</b>						
Centre Wavelength	$\lambda_C$	840	850	860	nm	
RMS spectral width	$\Delta\lambda$				nm	1
Average launch power, each lane	P <sub>out</sub>	-6.5		-1	dBm	2
Extinction Ratio	ER	3.5			dB	3
Transmitter Dispersion Penalty	TDP			3.9	dB	
Relative Intensity Noise	R <sub>in</sub>			-128	dB/Hz	4
Optical Return Loss Tolerance				12	dB	
<b>Receiver</b>						
Center Wavelength	$\lambda_C$	840	850	860	nm	
Receiver Sensitivity	P <sub>sens</sub>			-11.1	dBm	5
Stress Sensitivity in OMA				-7.5	dBm	5
Los function	Los	-30		-12	dBm	
Overload	P <sub>in</sub>			-1.0	dBm	5
Receiver Reflectance				-12	dB	

### Note:

1. Tradeoffs are available between spectral width, center wavelength and minimum OMA.
2. The optical power is launched into MMF
3. Measured with PRBS 2<sup>31</sup>-1 test pattern @10.3125Gbps
4. 12dB reflection
5. Measured with PRBS 2<sup>31</sup>-1 test pattern @10.3125Gbps, BER≤10<sup>-12</sup>

### Mechanical Specification



Cable Color: Aqua

**About ProLabs**

Our experience comes as standard; for over 15 years ProLabs has delivered optical connectivity solutions that give our customers freedom and choice through our ability to provide seamless interoperability. At the heart of our company is the ability to provide state-of-the-art optical transport and connectivity solutions that are compatible with over 90 optical switching and transport platforms.

**Complete Portfolio of Network Solutions**

ProLabs is focused on innovations in optical transport and connectivity. The combination of our knowledge of optics and networking equipment enables ProLabs to be your single source for optical transport and connectivity solutions from 100Mb to 400G while providing innovative solutions that increase network efficiency. We provide the optical connectivity expertise that is compatible with and enhances your switching and transport equipment.

**Trusted Partner**

Customer service is our number one value. ProLabs has invested in people, labs and manufacturing capacity to ensure that you get immediate answers to your questions and compatible product when needed. With Engineering and Manufacturing offices in the U.K. and U.S. augmented by field offices throughout the U.S., U.K. and Asia, ProLabs is able to be our customers best advocate 24 hours a day.

**Contact Information**

ProLabs US

Email: [sales@prolabs.com](mailto:sales@prolabs.com)

Telephone: 952-852-0252

ProLabs UK

Email: [salessupport@prolabs.com](mailto:salessupport@prolabs.com)

Telephone: +44 1285 719 600