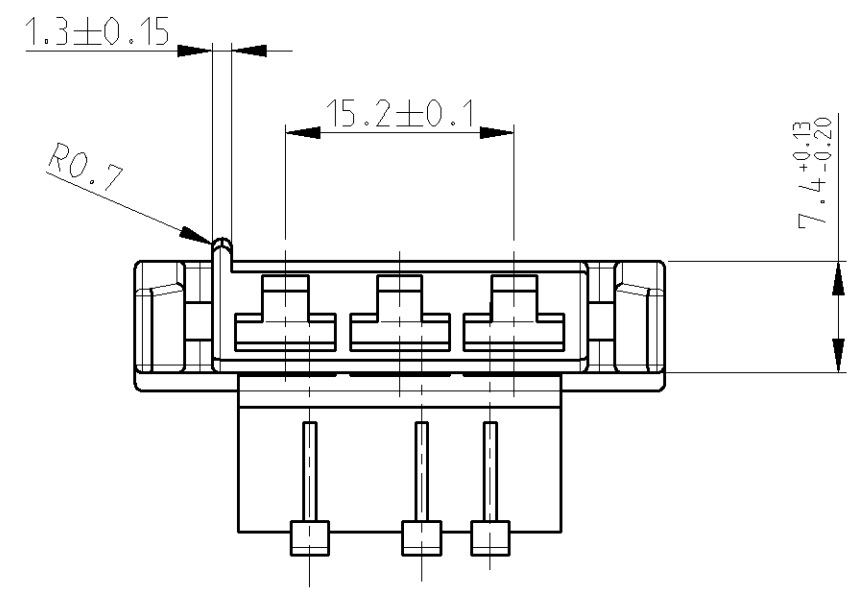
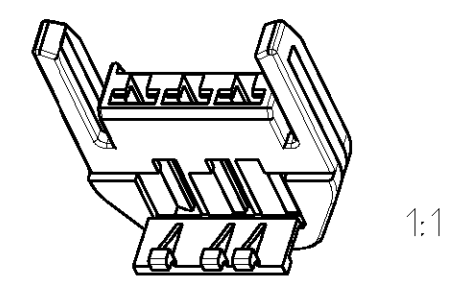
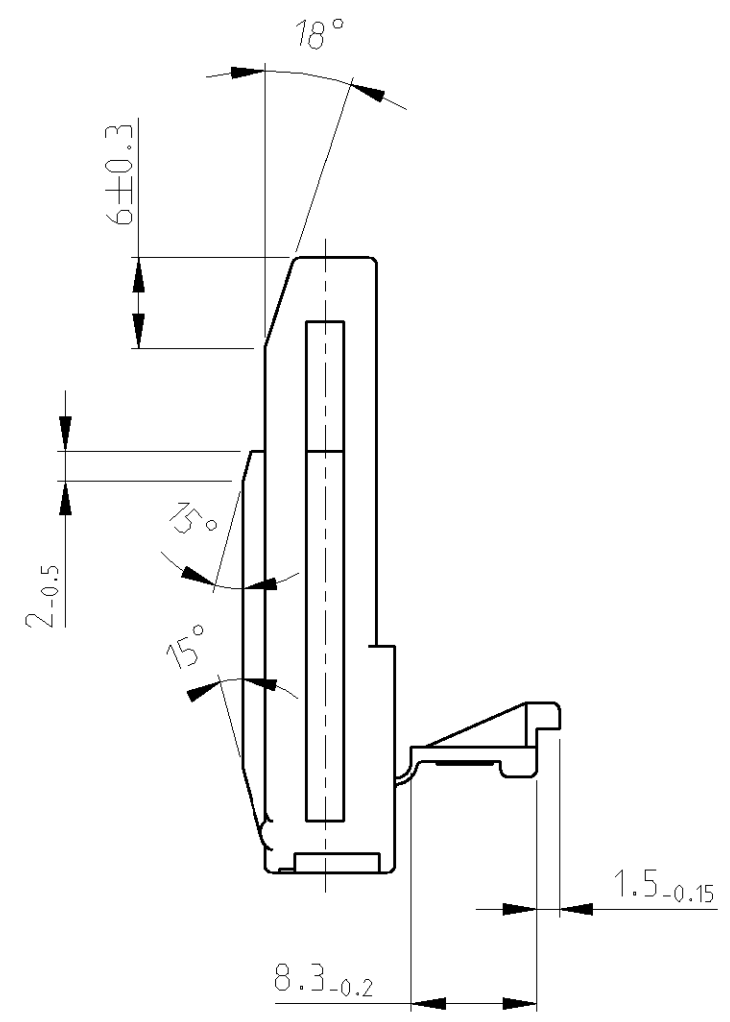
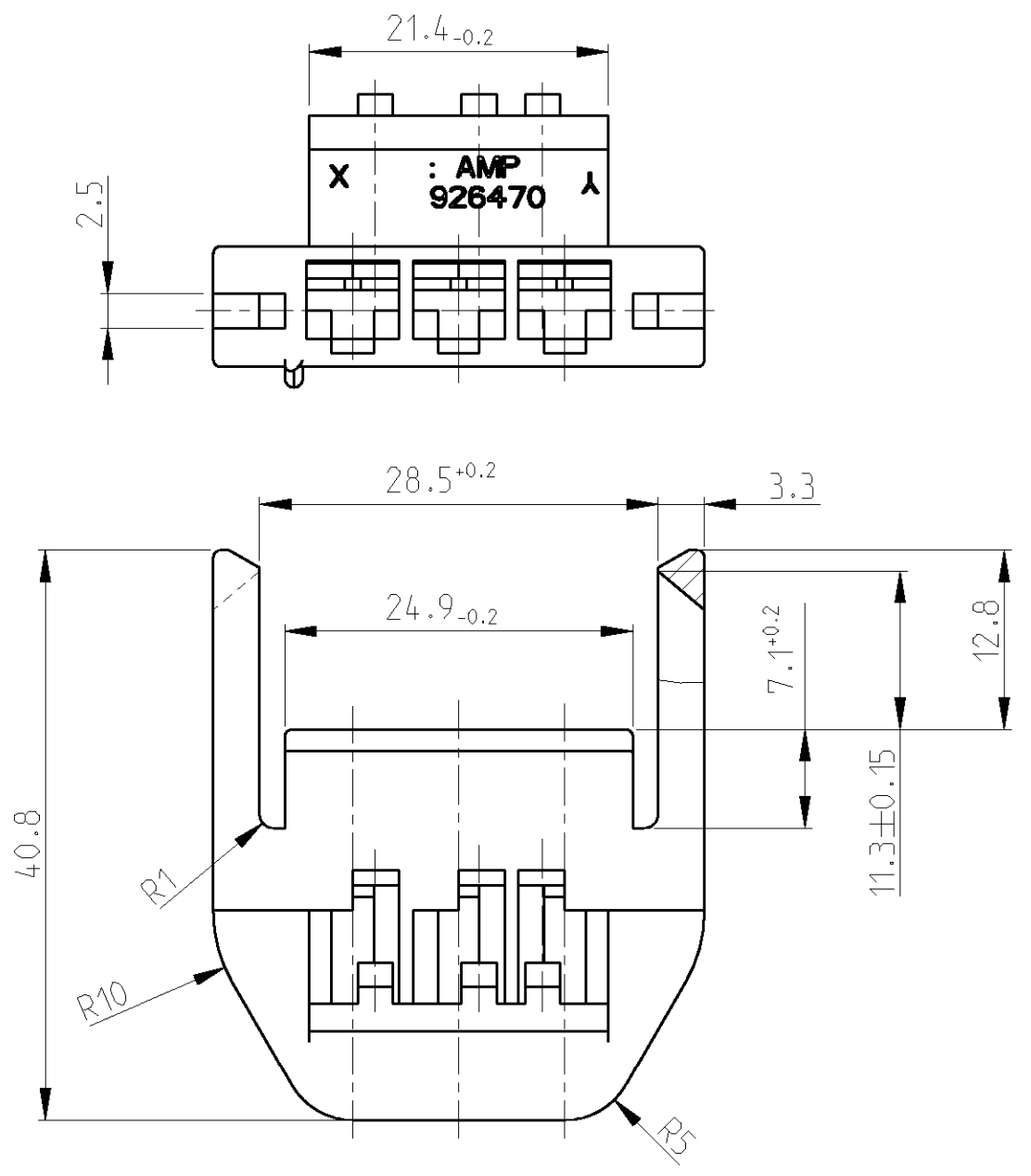


THIS DRAWING IS UNPUBLISHED. RELEASED FOR PUBLICATION 2005  
 © COPYRIGHT 2005 BY TYCO ELECTRONICS CORPORATION. ALL RIGHTS RESERVED.

LOC	DIST	REVISIONS			
P	LTR	DESCRIPTION	DATE	DWN	APVD
A1	-	L1	NEW CAD-DRAWING CREATED	20MAY2005	Abr C.G.



ALL RADII 0.5 EXCEPT AS NOTED  
 Unbemaßte Radien R 0.5

BLACK	Polyamid 6.6 ZYTEL 408	926470-1	L
COLOR	MATERIAL	PART-NUMBER	REV.

THIS DRAWING IS A CONTROLLED DOCUMENT FOR TYCO ELECTRONICS CORPORATION. IT IS SUBJECT TO CHANGE AND THE CONTROLLING ENGINEERING ORGANIZATION SHOULD BE CONTACTED FOR THE LATEST REVISION.		DWN 20MAY2005 Abraham.G.	 tyco Electronics AMP GmbH D - 64625 Bensheim
DIMENSIONS: mm		CHK 23MAY2005 Goepfel.C.	
TOLERANCES UNLESS OTHERWISE SPECIFIED:		APVD -	NAME 3 POS. POSITIVE MATE HINGED REC. HSG. 3 pol. Pos. Mate Geh. f. Flachsteckhülse
0 PLC ±0.2 1 PLC ±0.2 2 PLC ±0.2 3 PLC ±0.2 4 PLC ±0.2 ANGLES ±1°30'		PRODUCT SPEC -	SIZE A3
MATERIAL -		APPLICATION SPEC -	CAGE CODE 00779
FINISH -		WEIGHT 4.3 g	DRAWING NO. 926470
CUSTOMER DRAWING		SCALE 2:1	RESTRICTED TO -
		SHEET 1 OF 1	REV L1