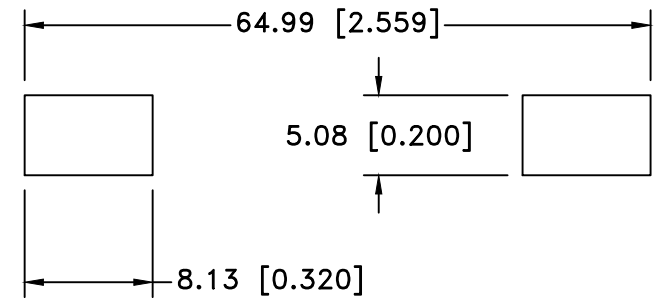
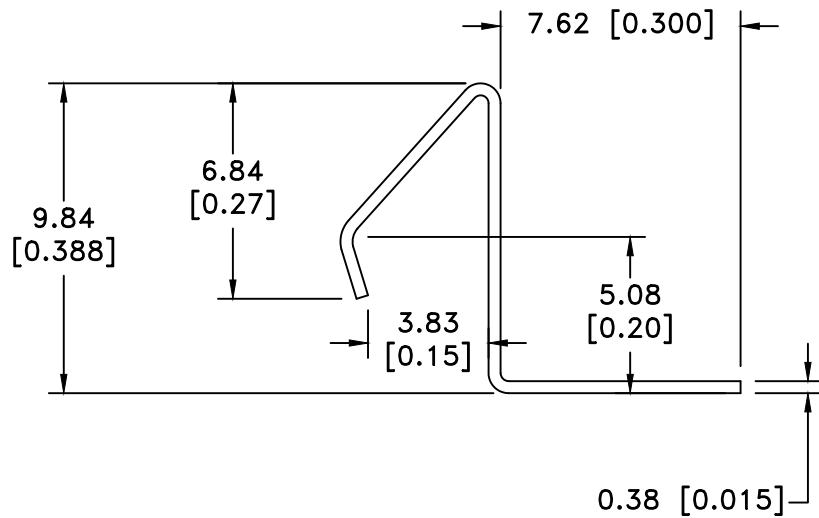
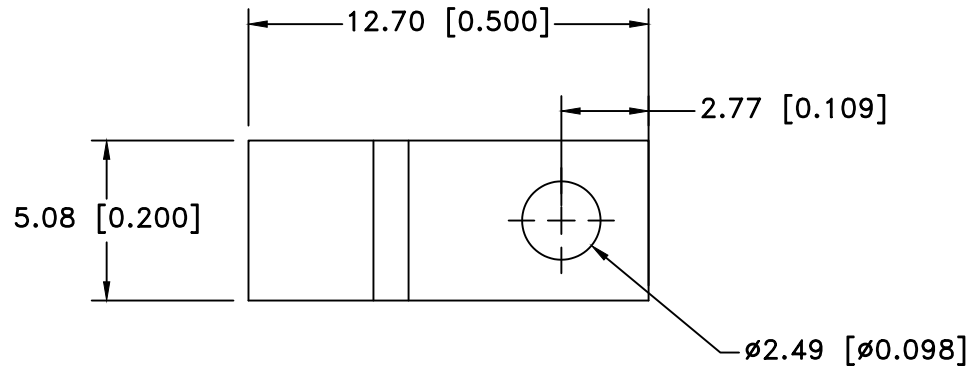



Date	SYM	REVISION RECORD	AUTH	DR.	CK.



PCB LAYOUT

NOTES:

1. MATERIAL: 0.38mm (0.015") THICK., PHOSPHOR BRONZE, C5191 SPRING HARD TEMPER.
2. DEBURR ALL CORNERS AND EDGES R0.13mm (0.005")MIN.
3. BRIGHT NICKEL PLATE
4. ROHS 2 COMPLIANT

Tolerance (Except as noted)	 <b>Memory Protection Devices, Inc</b> 200 Broad Hollow Road, Farmingdale, New York 11735		
decimal ±.5 (.020)		Scale	Drawn By B.S.
Fractional ± .8 (.030)	Title AAAA SURFACE MOUNT CONTACT		
Angular ± 3°	Date 11/22/17	Drawing Number BK-6223	
Approved By T.B.			