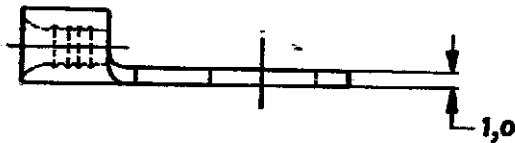
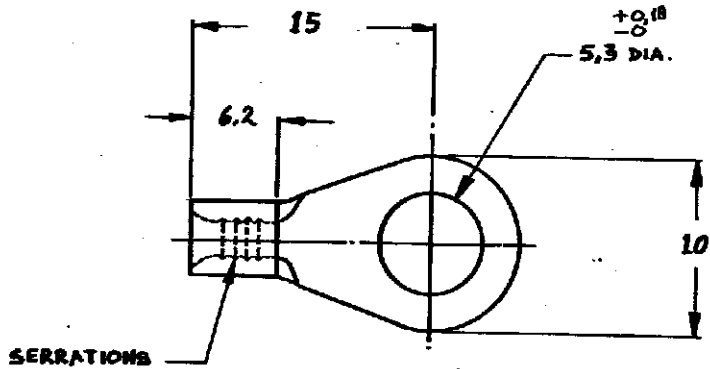



DRAWING MADE IN AMERICAN PROJECTION

NUMBER
C-165302-E.



CHECKED BY: DO NOT SCALE PRINT

CUSTOMER COPY FOR REFERENCE ONLY														
©1970 BY AMP-HOLLAND N.V. ALL RIGHTS RESERVED A-MP PRODUCTS COVERED BY PATENTS AND/OR PATENTS PENDING.								 AMP-HOLLAND N.V. 's-HERFENBOSCH HOLLAND						
165 302.			COPPER			TIN PLATED			WIRE-RANGE 4-6 mm ²		INSUL-RANGE —		TYPE -DIN- SOLISTRAND.	
ORDER NO.		MATERIAL		PLATING		SCALE M.T-S		LOC H		SIZE A		NO C-165 302 - E		REV B
DR C. STERKEN		DATE 11/5-1970		DE DATE		SCALE		LOC		SIZE		NO		REV
CHK		DATE		APPROVED		SCALE		LOC		SIZE		NO		REV
NAME RINGTONGUE stud: M5														

AMP 1282