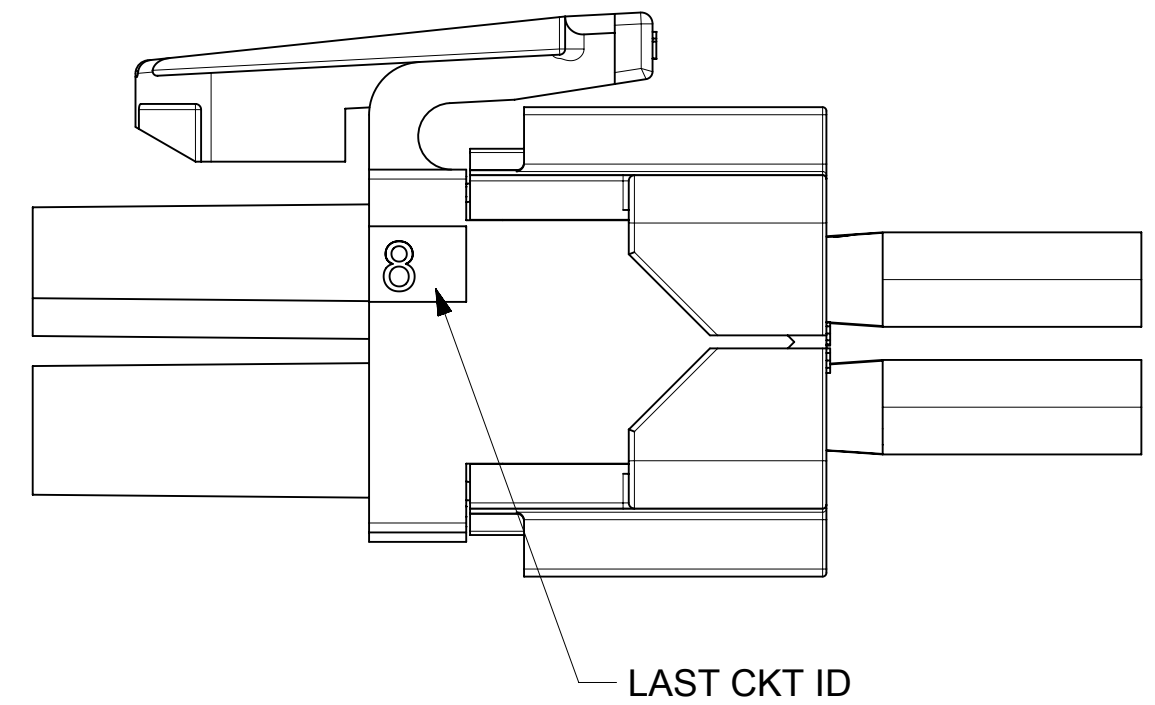
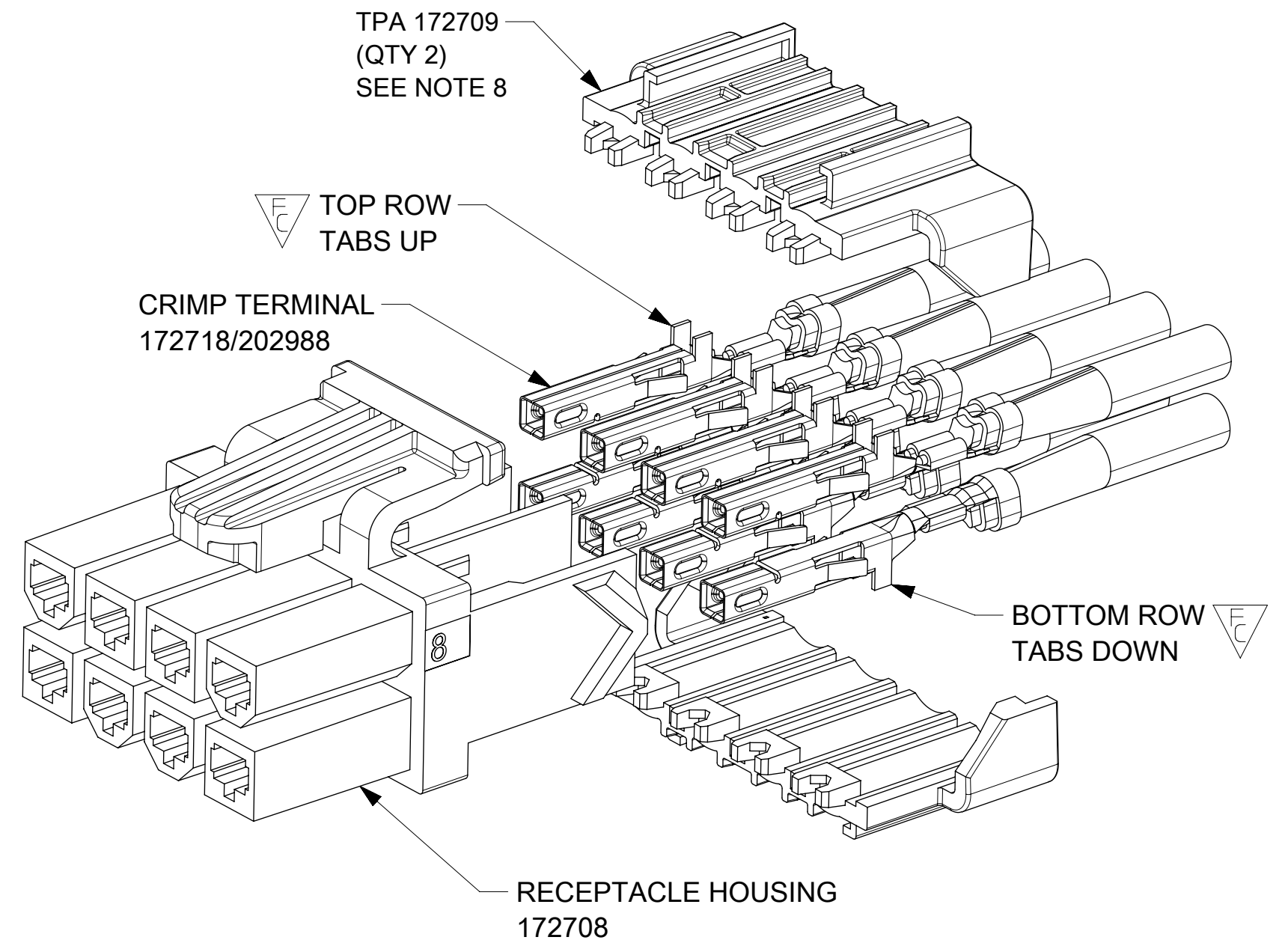
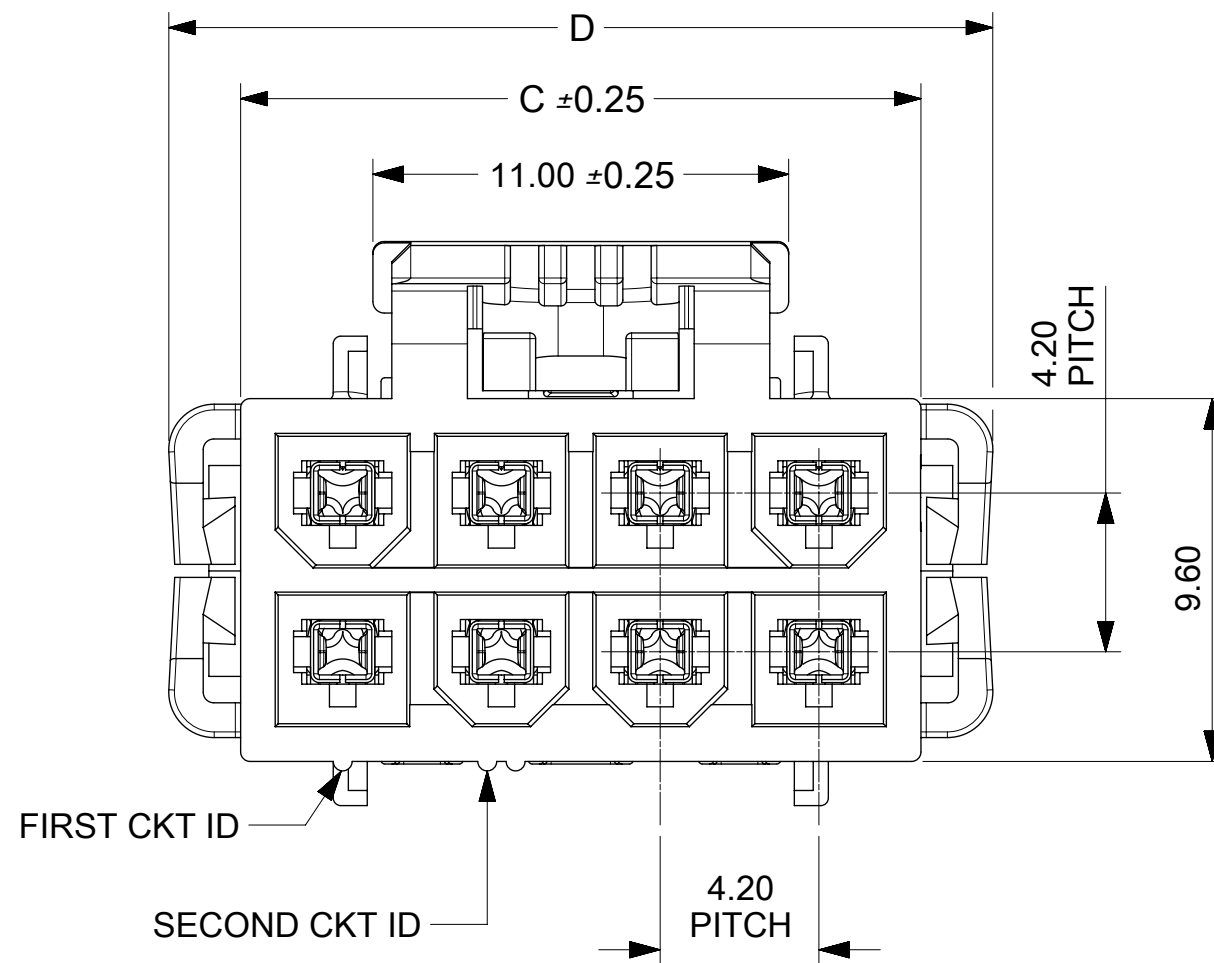
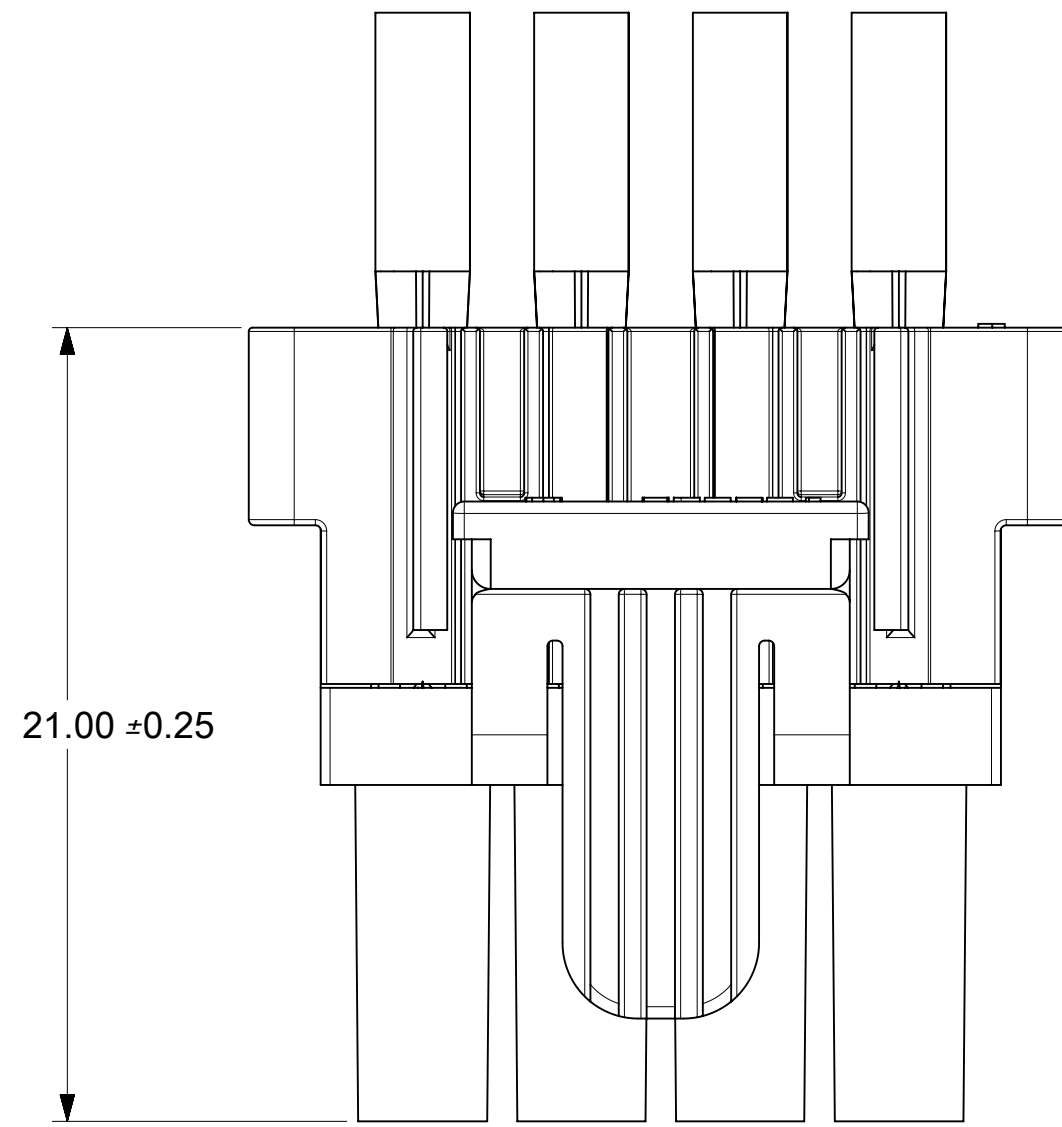
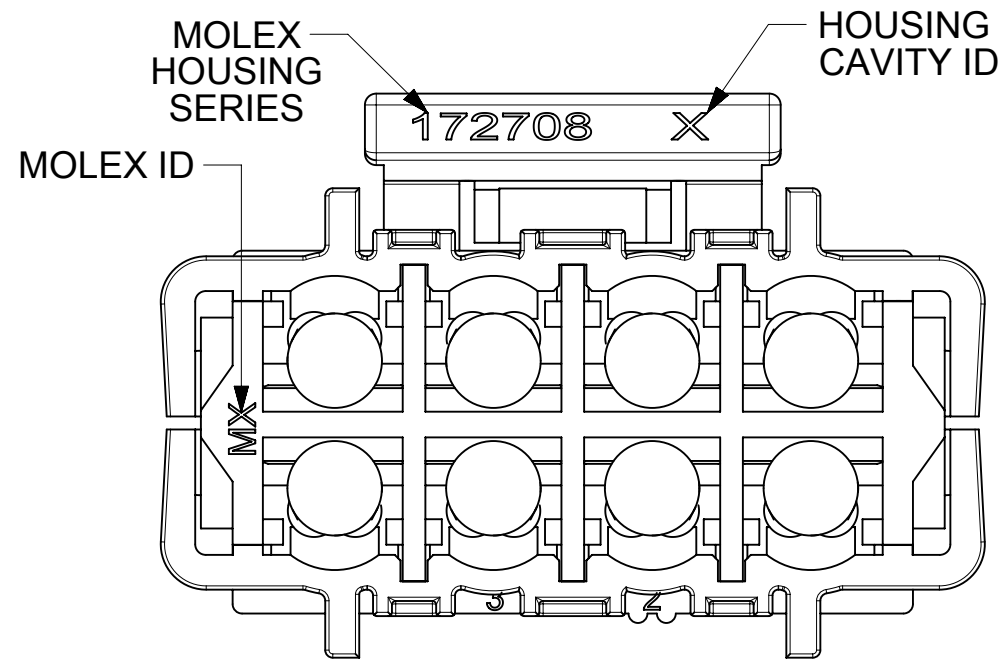
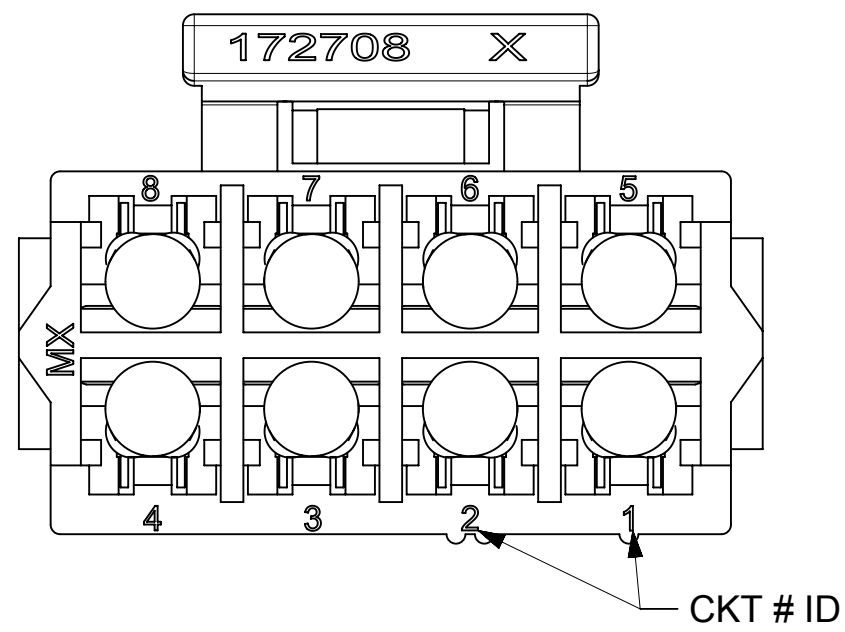


BEFORE TPA ASSEMBLY



NOTES:

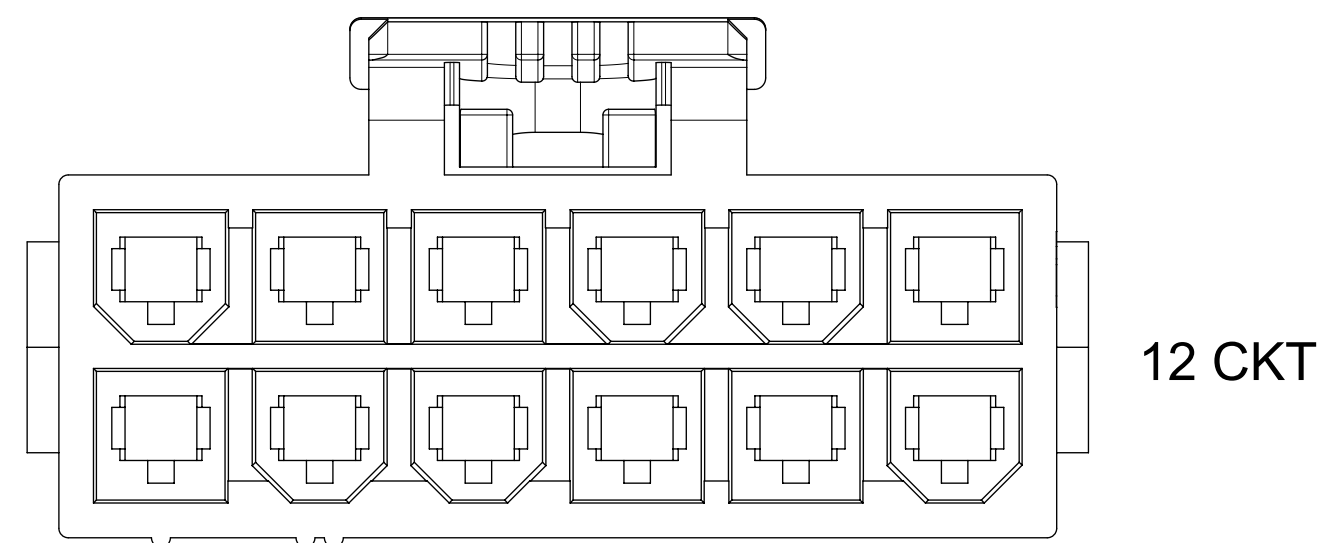
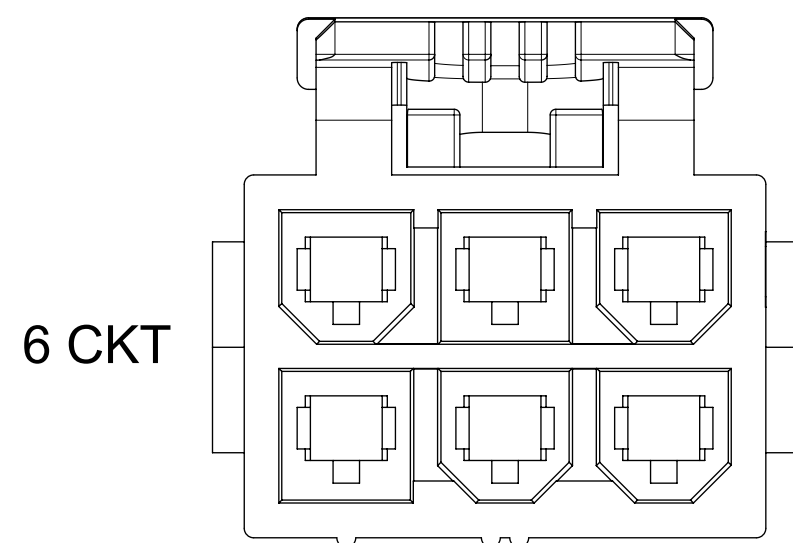
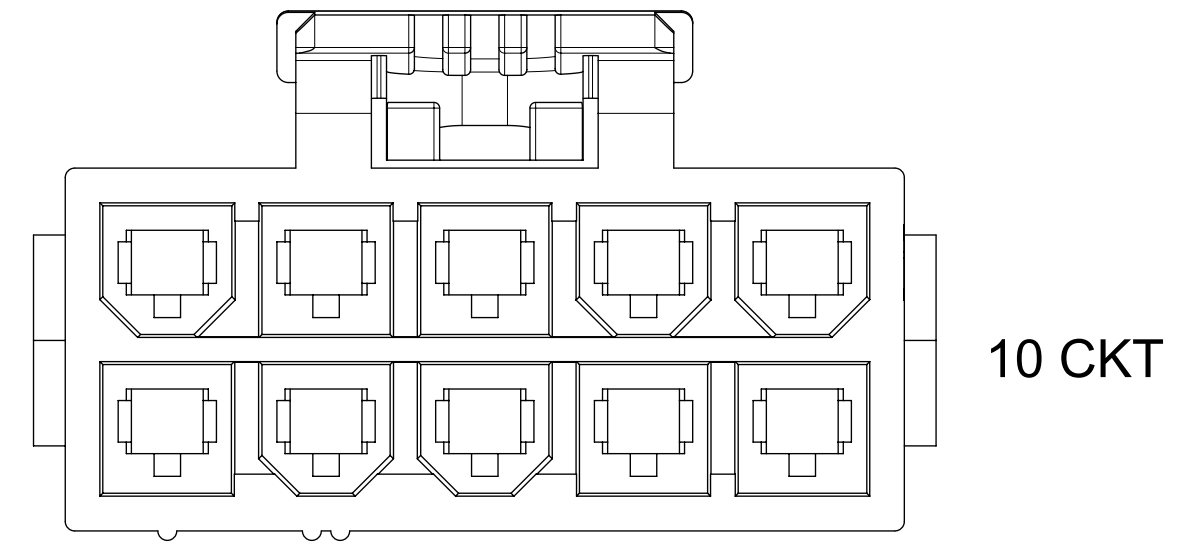
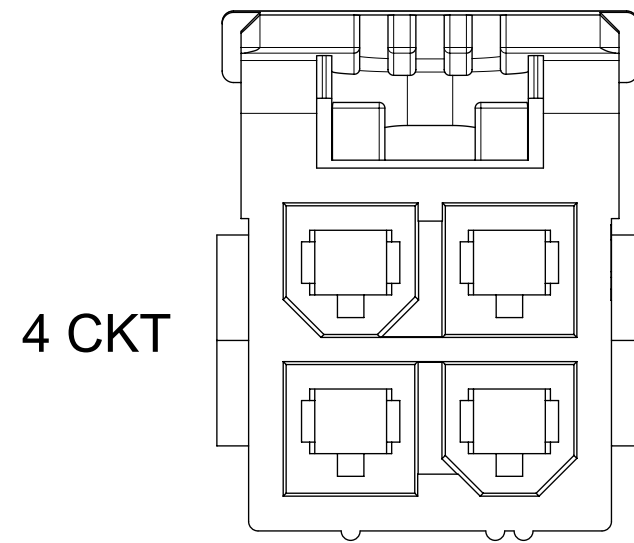
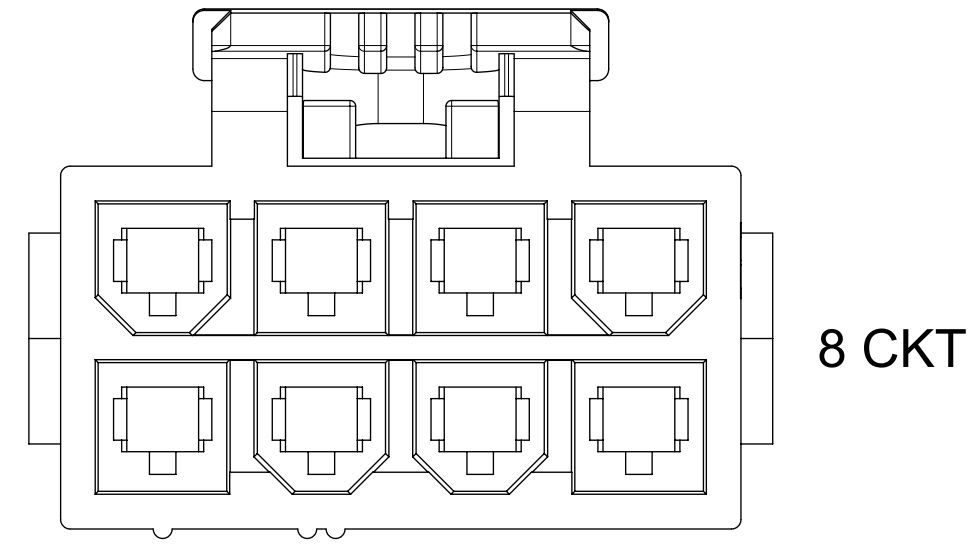
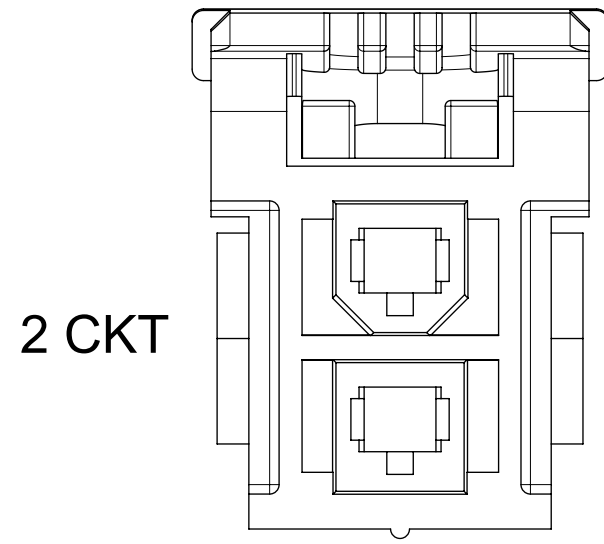
1. MATERIAL:
'A' = NYLON V-0 LOW HALOGEN; COLOR: BLACK
'B' = NYLON V-2 GLOW WIRE CAPABLE; COLOR: BLACK
'C' = NYLON V-2; COLOR: BLACK
2. FINISH: NONE
3. PRODUCT SPECIFICATION: PS-172718-0000 and 2029880001-PS
APPLICATION SPECIFICATION: AS-172718-0000
4. PACKAGING SPECIFICATION: BULK
PK-172708-0000
5. THIS PART TO BE USED WITH FEMALE TERMINAL SERIES 172718, 202988 AND TPA SERIES 172709.
6. THIS PART MATES WITH SERIES 5559, 5566, 5569, 172762 AND 172767.
7. THIS PART CONFORMS TO CLASS 'B' REQUIREMENTS OF COSMETIC SPECIFICATION PS-45499-002.
8. THIS PRODUCT MUST BE USED WITH THE TPA INSTALLED.
9. SEE DRAWING SD-172709-0000 AND 1727090001-SD FOR OTHER TPA INFORMATION.
10. SEE DRAWINGS SD-172718-0000 and 2029880001-PSD FOR OTHER CRIMP TERMINAL INFORMATION.

THIS DRAWING CONTAINS INFORMATION THAT IS PROPRIETARY TO MOLEX ELECTRONIC TECHNOLOGIES, LLC AND SHOULD NOT BE USED WITHOUT WRITTEN PERMISSION									
DIMENSION UNITS		SCALE		CURRENT REV DESC: TOL UPDT PER EGD					
mm		5:1		<p>molex</p> <p>HOUSING, DUAL ROW RECEPTACLE MINI-FIT TPA2</p> <p>PRODUCT CUSTOMER DRAWING</p> <p>DOCUMENT NUMBER: SD-172708-0000 DOC TYPE: PSD DOC PART: 000 REVISION: H6</p> <p>MATERIAL NUMBER: SEE TABLE CUSTOMER: GENERAL MARKET SHEET NUMBER: 1 OF 4</p>					
GENERAL TOLERANCES (UNLESS SPECIFIED)									
ANGULAR TOL ± °									
4 PLACES ±									
3 PLACES ±									
2 PLACES ± 0.13									
1 PLACE ± 0.2									
0 PLACES ±				EC NO: 628539		DRWN: GJEEVANSURES 2019/11/27		CHK'D: GJEEVANSURES 2020/03/26	
DRAFT WHERE APPLICABLE MUST REMAIN WITHIN DIMENSIONS				THIRD ANGLE PROJECTION		DRAWING		SERIES	
				C-SIZE		172708		INITIAL REVISION: DRWN: RFC_PLMMW 2015/08/13 APPR: JALEXANDER 2015/08/13	

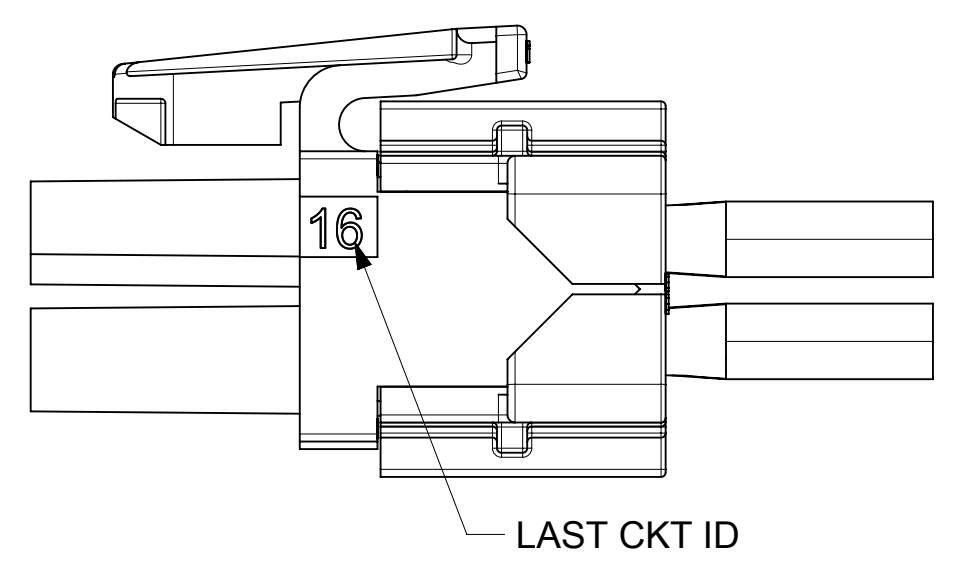
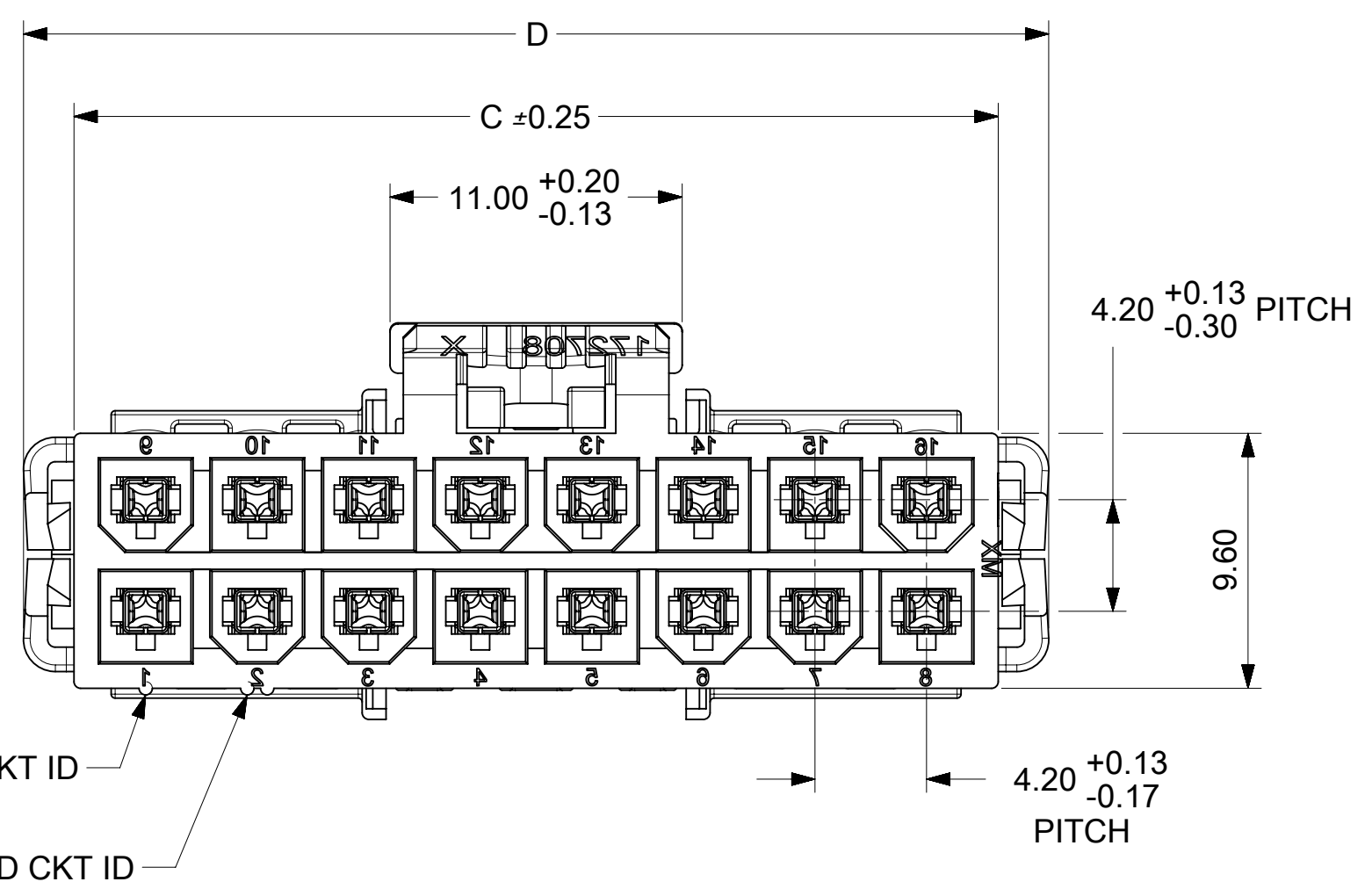
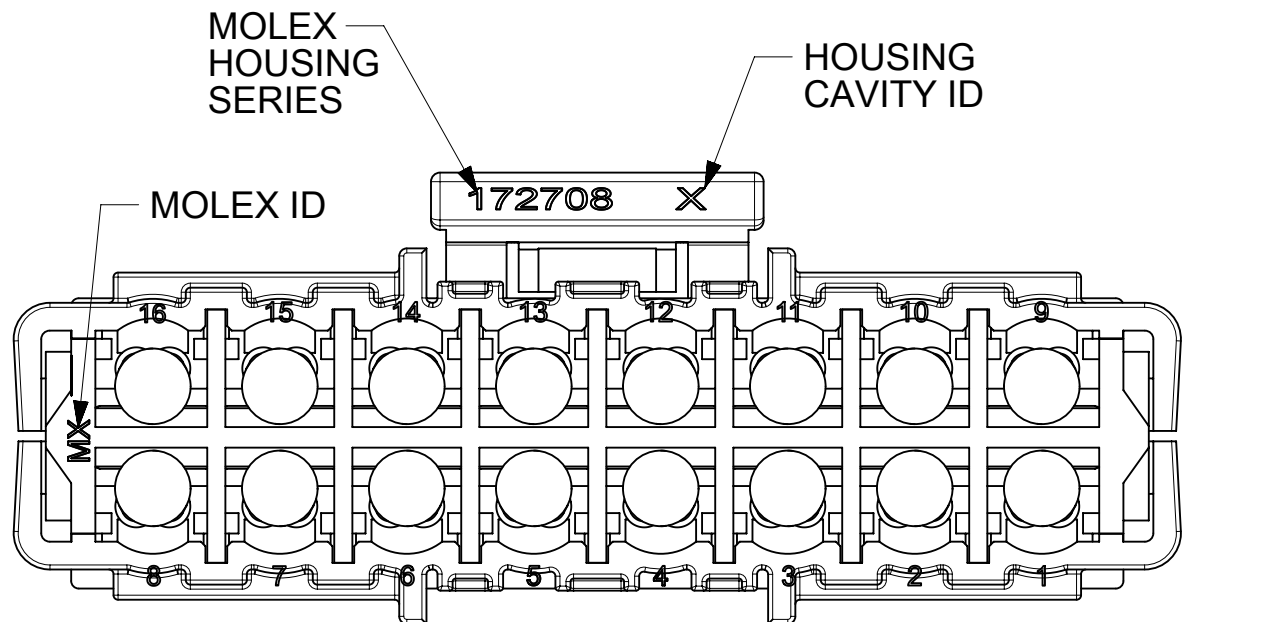
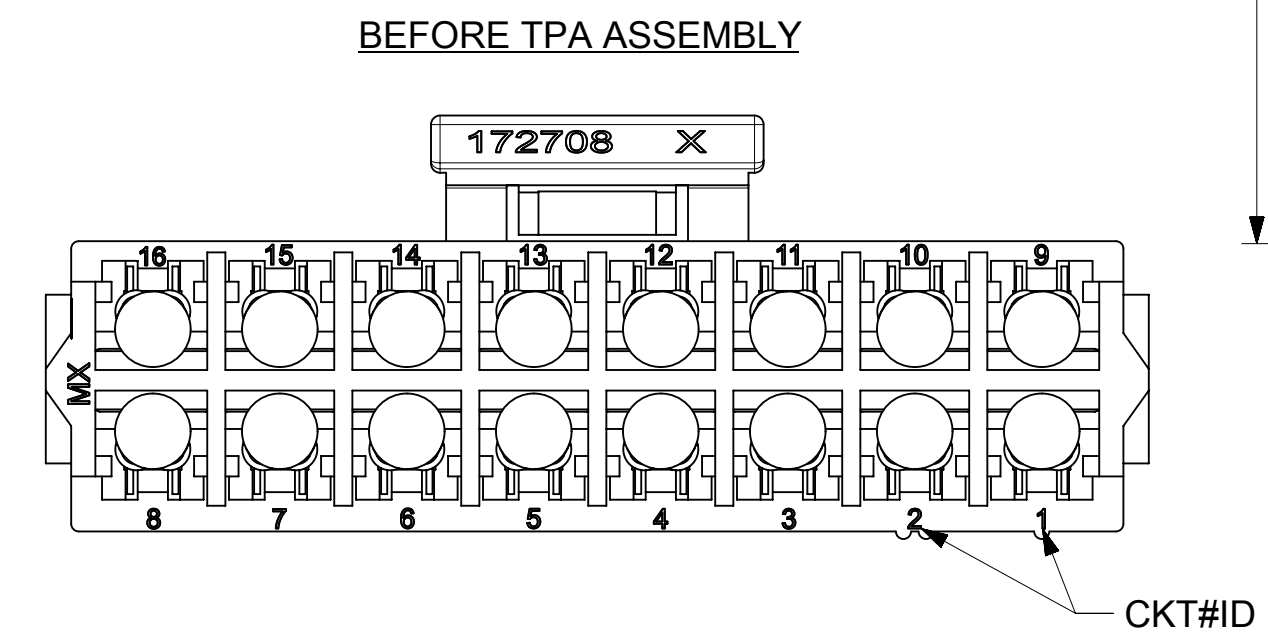
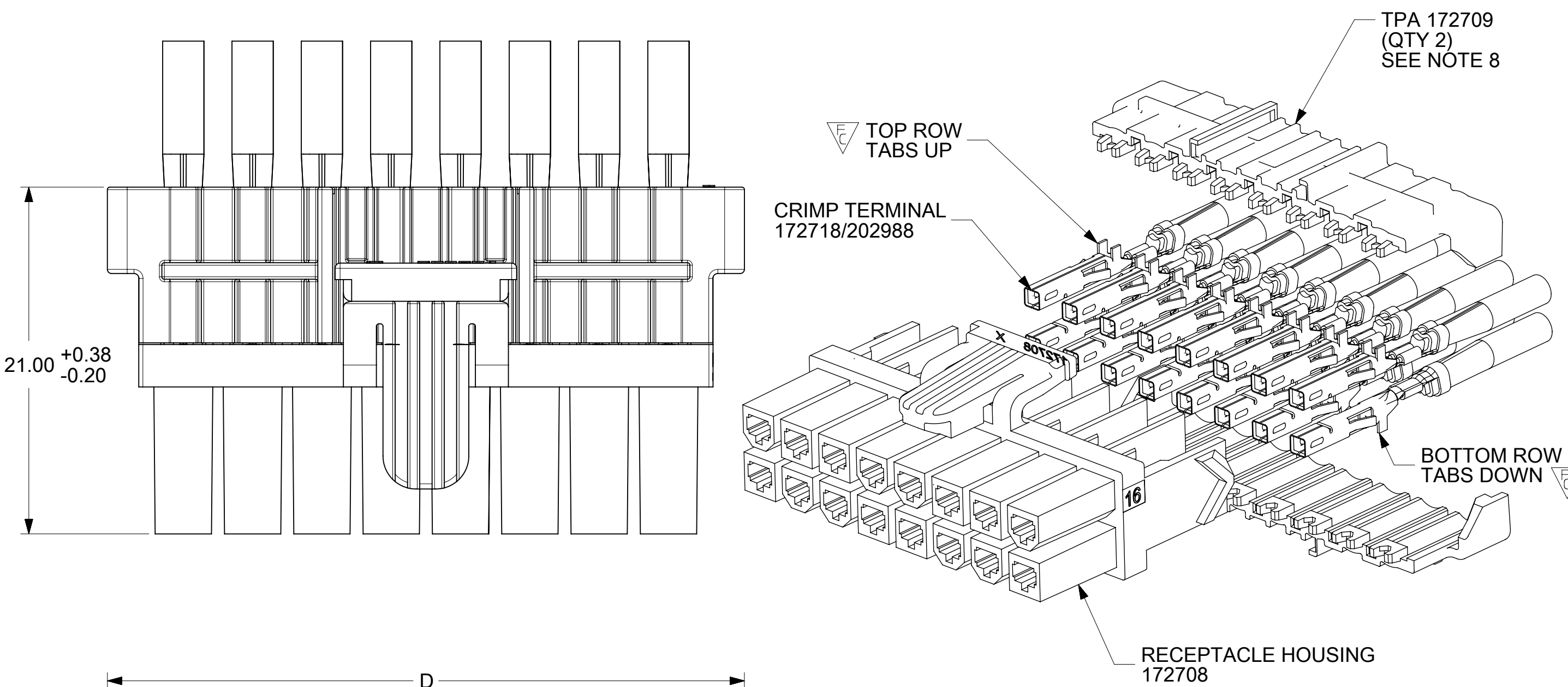
PART NUMBER	CKTS	DIM C	DIM D	MATERIAL
172708-0002	2	8.00	11.80	A
172708-0102				B
172708-0202				C
172708-0004	4	9.60	13.40	A
172708-0104				B
172708-0204				C
172708-0006	6	13.80	17.60	A
172708-0106				B
172708-0206				C
172708-0008	8	18.00	21.80	A
172708-0108				B
172708-0208				C
172708-0010	10	22.20	26.00	A
172708-0110				B
172708-0210				C
172708-0012	12	26.40	30.20	A
172708-0112				B
172708-0212				C

POLARIZATION DETAIL

SHOWN WITHOUT TPA OR TERMINAL FOR CLARITY



THIS DRAWING CONTAINS INFORMATION THAT IS PROPRIETARY TO MOLEX ELECTRONIC TECHNOLOGIES, LLC AND SHOULD NOT BE USED WITHOUT WRITTEN PERMISSION									
DIMENSION UNITS		SCALE		CURRENT REV DESC: TOL UPDT PER EGD					
mm		5:1		molex HOUSING, DUAL ROW RECEPTACLE MINI-FIT TPA2					
GENERAL TOLERANCES (UNLESS SPECIFIED)									
ANGULAR TOL		± °		EC NO: 628539					
4 PLACES		±		DRWN: GJEEVANSURES 2019/11/27					
3 PLACES		±		CHK'D: GJEEVANSURES 2020/03/26					
2 PLACES		± 0.13		APPR: NCSR 2020/03/27					
1 PLACE		± 0.2		INITIAL REVISION:					
0 PLACES		±		DRWN: RFC_PLMMW 2015/08/13					
				APPR: JALEXANDER 2015/08/13					
DRAFT WHERE APPLICABLE MUST REMAIN WITHIN DIMENSIONS				THIRD ANGLE PROJECTION		DRAWING		SERIES	
						C-SIZE		172708	
DOCUMENT STATUS				P1		RELEASE DATE		2020/03/27 05:21:35	
DOCUMENT NUMBER		DOC TYPE		DOC PART		REVISION			
SD-172708-0000		PSD		000		H6			
MATERIAL NUMBER				CUSTOMER				SHEET NUMBER	
SEE TABLE				GENERAL MARKET				2 OF 4	



NOTES:

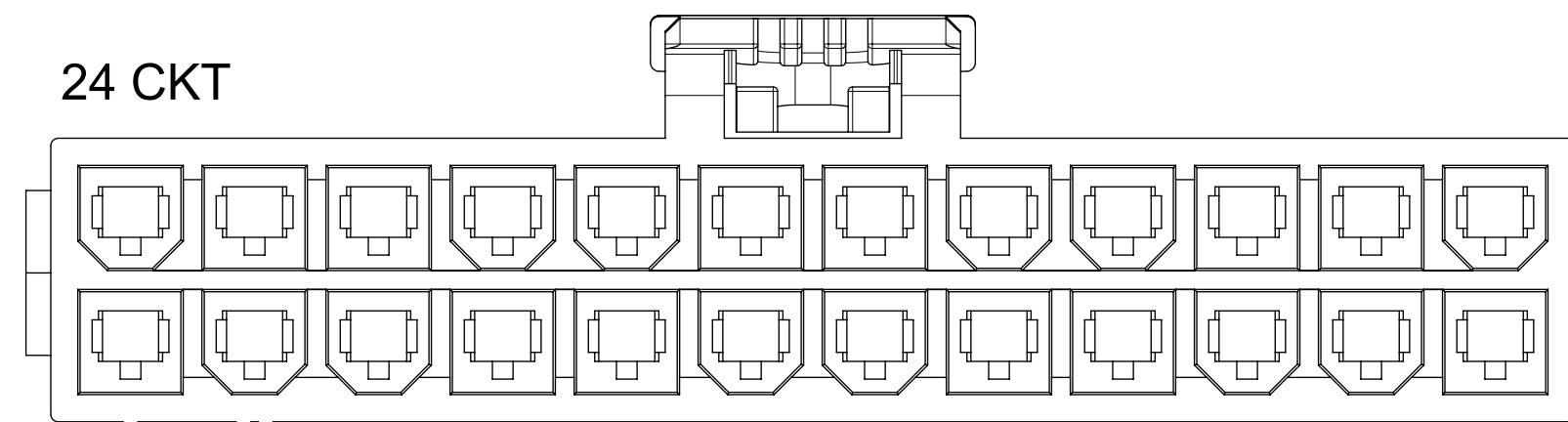
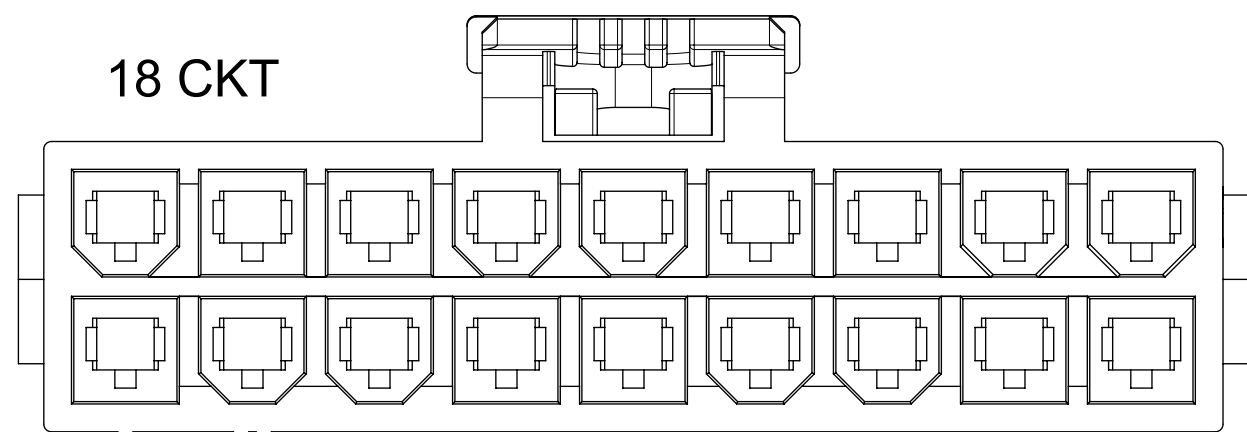
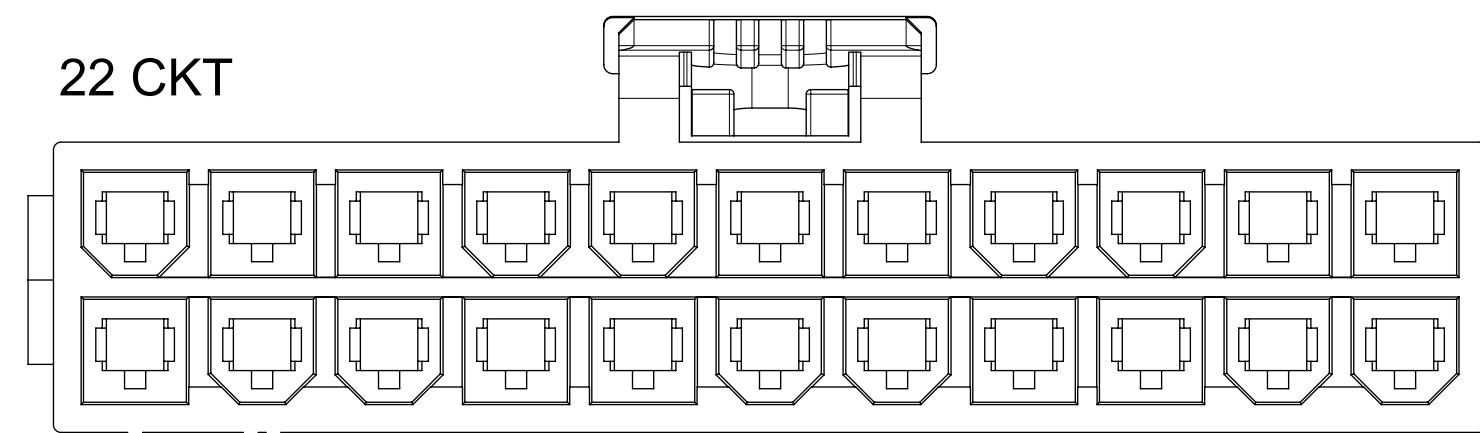
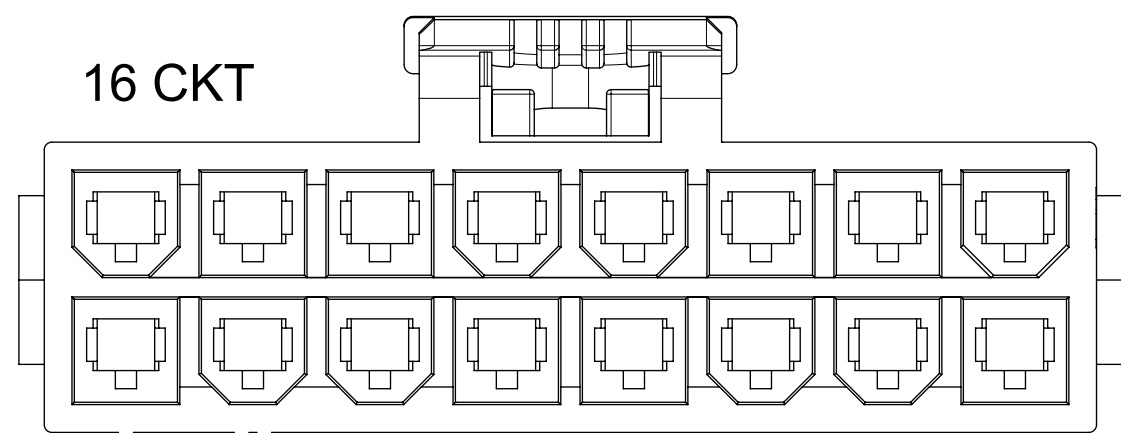
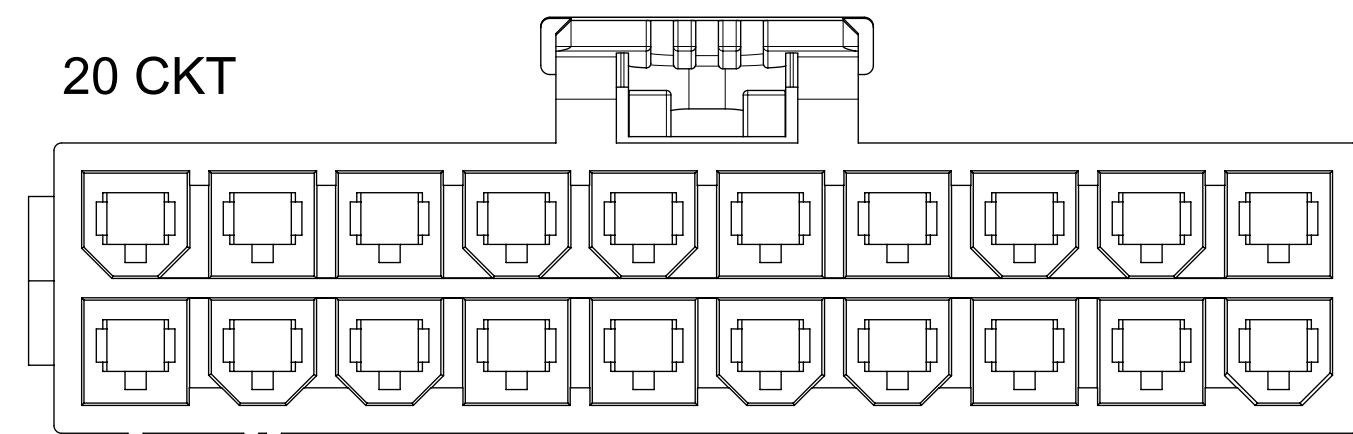
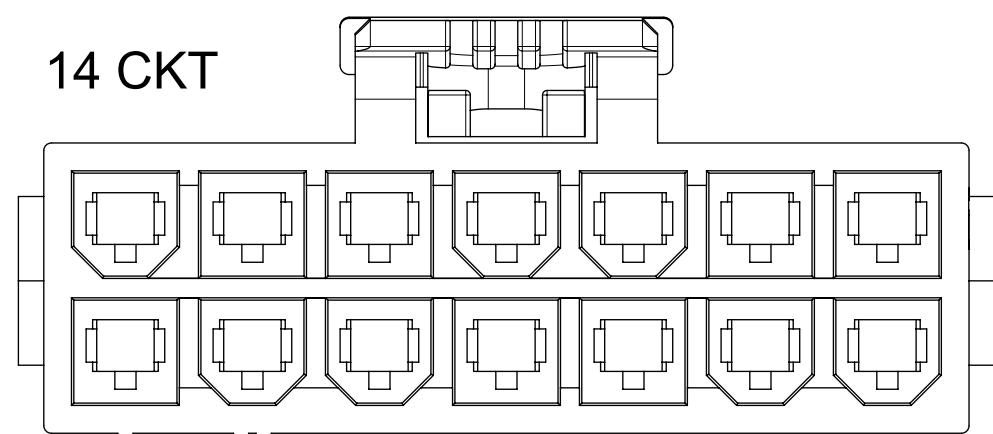
1. MATERIAL:
 'A' = NYLON V-0 LOW HALOGEN; COLOR: BLACK
 'B' = NYLON V-2 GLOW WIRE CAPABLE; COLOR: BLACK
2. FINISH: NONE
3. PRODUCT SPECIFICATION: PS-172718-0000 and 2029880001-PS
 APPLICATION SPECIFICATION: AS-172718-0000
4. PACKAGING SPECIFICATION: BULK
 1727080001-PK
 REFER TO AS-45499-001 FOR MOISTURIZING NYLON CONNECTOR PARTS.
5. THIS PART TO BE USED WITH FEMALE TERMINAL SERIES 172718, 202988 AND TPA SERIES 172709.
6. THIS PART MATES WITH SERIES 5559, 5566, 5569 AND 172767.
7. THIS PART CONFORMS TO CLASS 'B' REQUIREMENTS OF COSMETIC SPECIFICATION PS-45499-002.
8. THIS PRODUCT MUST BE USED WITH THE TPA INSTALLED.
9. SEE DRAWING 1727090001-SD FOR OTHER TPA INFORMATION.
10. SEE DRAWINGS SD-172718-0000 and 2029880001-PSD FOR OTHER CRIMP TERMINAL INFORMATION.

THIS DRAWING CONTAINS INFORMATION THAT IS PROPRIETARY TO MOLEX ELECTRONIC TECHNOLOGIES, LLC AND SHOULD NOT BE USED WITHOUT WRITTEN PERMISSION									
DIMENSION UNITS		SCALE		CURRENT REV DESC: TOL UPDT PER EGD					
mm		4:1							
GENERAL TOLERANCES (UNLESS SPECIFIED)									
ANGULAR TOL		± °		EC NO: 628539					
4 PLACES		±		DRWN: GJEEVANSURES 2019/11/27					
3 PLACES		±		CHK'D: GJEEVANSURES 2020/03/26					
2 PLACES		± 0.13		APPR: NCSR 2020/03/27					
1 PLACE		± 0.2		INITIAL REVISION:					
0 PLACES		±		DRWN: RFC_PLMMW 2015/08/13					
				APPR: JALEXANDER 2015/08/13					
DRAFT WHERE APPLICABLE MUST REMAIN WITHIN DIMENSIONS				THIRD ANGLE PROJECTION		DRAWING		SERIES	
				C-SIZE		172708			
DOCUMENT STATUS				P1		RELEASE DATE		2020/03/27 05:21:35	
DOCUMENT NUMBER				DOC TYPE		DOC PART		REVISION	
SD-172708-0000				PSD		000		H6	
MATERIAL NUMBER				CUSTOMER		SHEET NUMBER			
SEE TABLE				GENERAL MARKET		3 OF 4			

PART NUMBER	CKTS	DIM C	DIM D	MATERIAL
1727080014	14	30.60	34.40	A
1727080114				B
1727080016	16	34.80	38.60	A
1727080116				B
1727080018	18	39.00	42.80	A
1727080118				B
1727080020	20	43.20	47.00	A
1727080120				B
1727080022	22	47.40	51.20	A
1727080122				B
1727080024	24	51.60	55.40	A
1727080124				B

POLARIZATION DETAIL

SHOWN WITHOUT TPA OR TERMINAL FOR CLARITY



THIS DRAWING CONTAINS INFORMATION THAT IS PROPRIETARY TO MOLEX ELECTRONIC TECHNOLOGIES, LLC AND SHOULD NOT BE USED WITHOUT WRITTEN PERMISSION

DIMENSION UNITS	SCALE	CURRENT REV DESC: TOL UPDT PER EGD					
mm	4:1						
GENERAL TOLERANCES (UNLESS SPECIFIED)		EC NO: 628539		HOUSING, DUAL ROW RECEPTACLE MINI-FIT TPA2 PRODUCT CUSTOMER DRAWING			
ANGULAR TOL	± °	DRWN: GJEEVANSURES 2019/11/27					
4 PLACES	±	CHK'D: GJEEVANSURES 2020/03/26					
3 PLACES	±	APPR: NCSR 2020/03/27		DOCUMENT NUMBER			
2 PLACES	± 0.13	INITIAL REVISION:		SD-172708-0000			
1 PLACE	± 0.2	DRWN: RFC_PLMMW 2015/08/13		DOC TYPE	DOC PART	REVISION	
0 PLACES	±	APPR: JALEXANDER 2015/08/13		PSD	000	H6	
DRAFT WHERE APPLICABLE MUST REMAIN WITHIN DIMENSIONS		THIRD ANGLE PROJECTION	DRAWING	SERIES	MATERIAL NUMBER	CUSTOMER	SHEET NUMBER
			C-SIZE	172708	SEE TABLE	GENERAL MARKET	4 OF 4

DOCUMENT STATUS	P1	RELEASE DATE	2020/03/27	05:21:35
-----------------	----	--------------	------------	----------