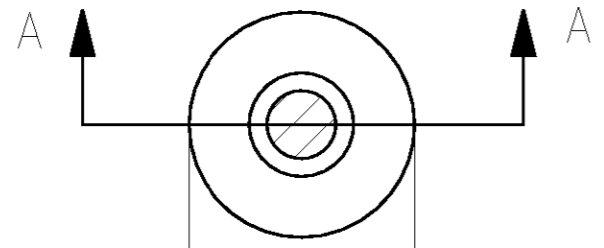


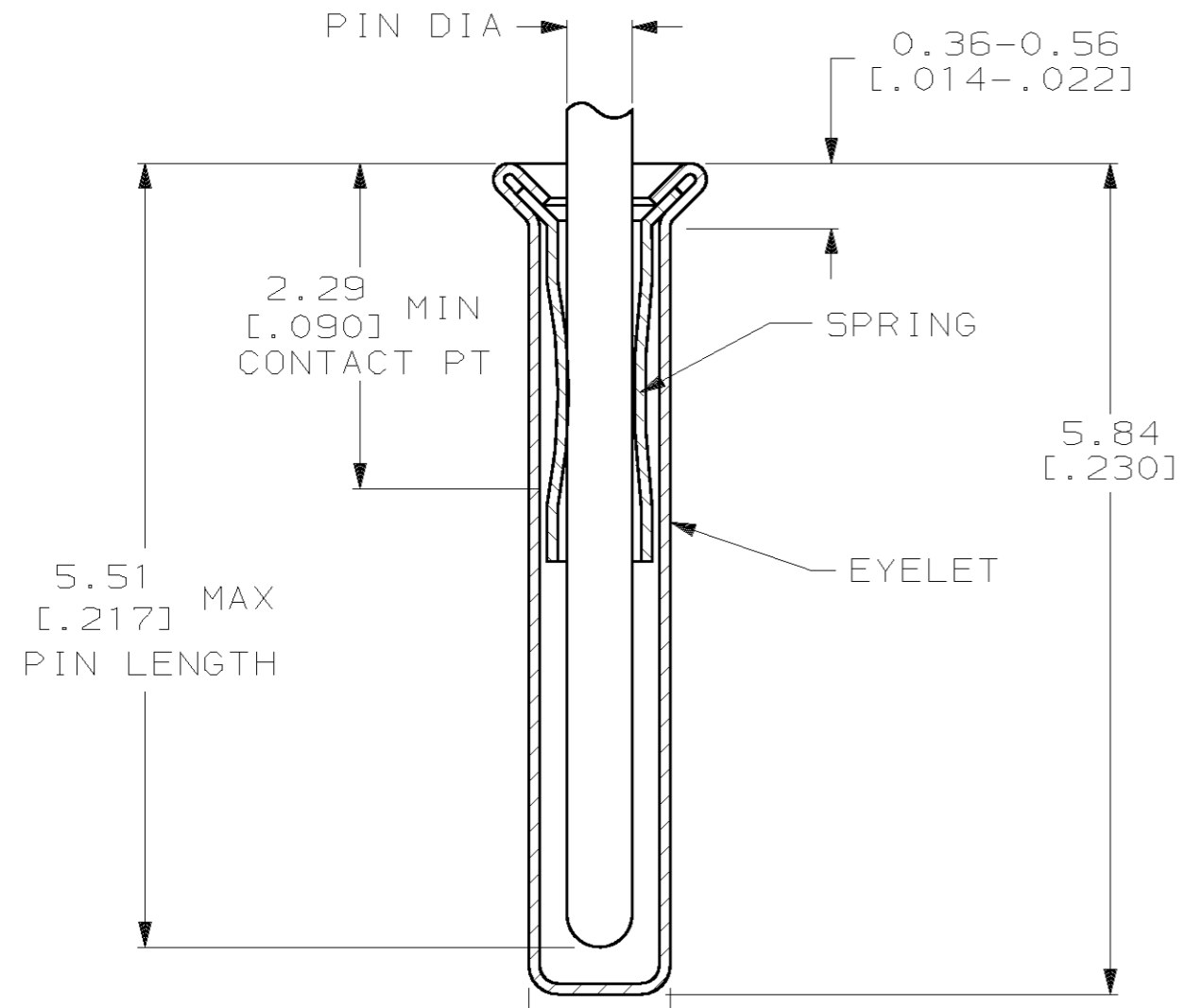
THIS DRAWING IS UNPUBLISHED. RELEASED FOR PUBLICATION, 19 .
 © COPYRIGHT 19 BY AMP INCORPORATED. ALL RIGHTS RESERVED.

LOC	DIST	REVISIONS			
P	LTR	DESCRIPTION	DATE	DWN	APVD
AD	0	0	REV PER 063C-0214-00	18MAY00	BH HW



Ø1.50
[Ø.059] MAX

- 1 SPRING: BERYLLIUM COPPER PER QQ-C-533.
EYELET: COPPER PER QQ-C-576.
- 2 GOLD PER MIL-G-45204, TYPE II, 0.00076 [.000030] MIN THK OVER NICKEL PER QQ-N-290 0.00028 [.000011] MIN THK ON CONTACT AREA.
- 3 GOLD FLASH PER MIL-G-45204, TYPE II, 0.13µm [.000005] MIN THK. OVER NICKEL PLATE PER QQ-N-290 0.51µm-1.52µm [.000020-.000060] EXT THK.
- 4. RECOMMENDED HOLE SIZE, PLATED OR UNPLATED:
HAND INSERTION: $1.02 \begin{matrix} +0.10 \\ -0.00 \end{matrix} \begin{matrix} [.040 \\ -.000] \end{matrix} +.004$
- 5 TO INSURE PROPER SPRING TENSION DO NOT EXCEED A 0.10 [.004] DIFFERENCE IN PIN DIA WHEN CHANGING TO A SMALLER PIN.



Ø0.97 +0.05
-0.03
[Ø.038 +.002
-.001]

SECTION A-A

CLOSED	0.33-0.51 [.013-.020]	GOLD 3	GOLD 2	147444-1
BOTTOM TYPE	RECOMMENDED PIN DIA 5	EYELET	SPRING	PART NUMBER
		FINISH		

THIS DRAWING IS A CONTROLLED DOCUMENT.		DWN R. TALLEY 04 APR 00	AMP Incorporated Harrisburg, PA 17105-3608	
DIMENSIONS: mm [INCHES]		CHK W. WYNKOOP 04 APR 00		
TOLERANCES UNLESS OTHERWISE SPECIFIED:		APVD W. WYNKOOP 04 APR 00	NAME SOCKET ASSEMBLY, SERIES 1, MINIATURE SPRING SOCKET	
0 PLC ±- 1 PLC ±- 2 PLC ±0.20 [.008] 3 PLC ±- 4 PLC ±- ANGLES ±-		PRODUCT SPEC -	SIZE A3	
MATERIAL 1		APPLICATION SPEC -	CAGE CODE 00779	DRAWING NO C-147444
FINISH SEE TABLE		WEIGHT -	RESTRICTED TO -	
CUSTOMER DRAWING			SCALE 20:1	SHEET 1 OF 1
			REV 0	