

# PIT-1702

## Patient Infotainment Terminal



### Features

- Intel® Celeron® M ULV 1.06 GHz/Core 2 Duo 1.06 GHz
- Fanless
- 17" TFT-LCD with touchscreen
- Built-in 1.3 megapixel CMOS camera
- Built-in Mic, speaker & head-set support
- Equipped with RFID/WiFi/Smart Card Reader
- Built-in emergency key & 2 x indicators
- Multiple input supports: RJ-45, USB x 2
- Windows XP Embedded architecture
- EN60601-1 certification approved
- Rich options
  - \*TV tuner (analog & DVBT)
  - \*Handset
  - \*Wired remote controller (6 keys)
- Notes:\*optional items



### Introduction

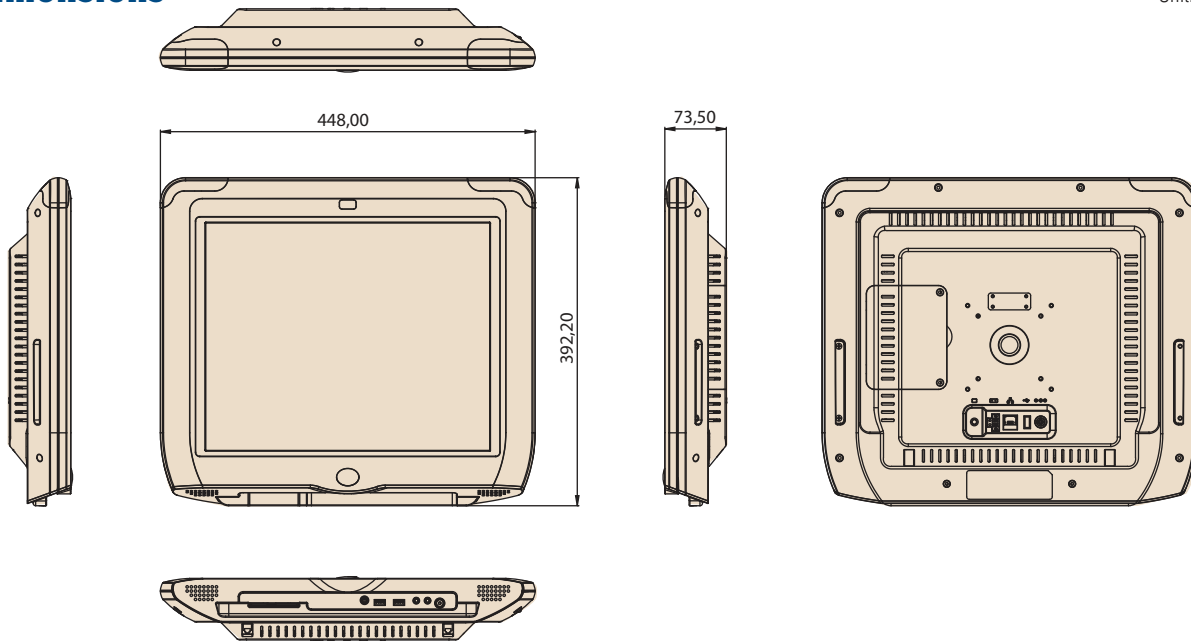
The PIT-1702, a 17" multi-function terminal with touchscreen, WiFi, RFID, handset, smart card reader, and 1.3 megapixel CMOS camera, is a standard product of Advantech which targets the patient terminal and healthcare market. A built-in Intel Celeron M 1.06 GHz processor and Microsoft Windows XPE Embedded software provides patients with various entertainment programs such as TV, movies or computer games. The 1.3 megapixel camera, WiFi and Ethernet (RJ-45) connectivity provides video phone service to help patients communicate with their families by internet. Identification recognition for both hospital staff and patients is possible with the RFID and smart card reader. Added flexibility is provided through I/O interfaces such as USB ports, an earphone and a microphone jack. Additionally, an LED light indicator and nurse call button help alert hospital staff to important incidents.

### Specifications

Hardware	CPU	Intel Celeron M ULV 1.06 GHz /Core 2 Duo 1.06 GHz
	Front Side Bus	Supports FSB 533/667MHz
	System Chipset	Intel 945GME
	Memory	1 GB DDRII DRAM
	Storage	HDD: 2.5" SATA 80G
	Camera	1.3 megapixel CMOS camera
Display	Bus Expansion	mini-PCI slot x 1 (for WLAN)
	Size	17" TFT color LCD
	Max Resolution	1280 x 1024
	Viewing Angle	178/178
	Luminance	300 cd/m <sup>2</sup>
Touchscreen	Contrast Ratio	800:1
	Type	Analog Resistive
	Light Transmission	75%
	Controller	USB interface
I/O Ports	Durability	30 million touches
	USB Port	3
	Smart Card Reader	1
	Line out	1
Audio	Microphone in	1
	Speaker	1W x 2
Network	Microphone	1
	LAN	10/100 Mbps Ethernet (RJ-45) x 1
Emergency Alarm	WLAN	802.11 b/g wireless LAN
	Hotkey	1
Bus Expansion	LED Light Indicator	2
	mini-PCI slot	1 (for WLAN)
Software	Operating System	Embedded XP
	Mounting	VESA 75/100 mm
Mechanical	Dimensions ( W x H x D)	448 x 393 x 73.5 mm (17.64" x 8.31" x 2.89")
	Weight	6.8 kg (14.99 lbs.) / 7.0 kg (15.43 lbs.) with handset

## Dimensions

Unit: mm



## Specifications

Options	TV Tuner	1 (Analog & DVBT)
	Handset	1
	Remote Controller	6 keys
Power Supply	AC/DC Adapter	
	Input Voltage	100 ~ 240 V <sub>AC</sub> , 1.1 ~ 0.45 A @ 47~ 63 Hz
	Output Voltage	+18 V <sub>DC</sub> , 4.44 A max
Environment	Operating Temperature	0 ~ 40° C
	Certifications	CE, FCC, CCC, CB, UL, EN 60601-1 approved

## Ordering Information

Part Number	Description
<b>Celeron M Platform</b>	
PIT-1702-CSTOE	17", Intel 945 Celeron M 1.06 G, 1 G SDRAM, 80 G HDD
PIT-1702-CTVOE	PIT-1702-CSTOE+TV tuner
PIT-1702-CHTOE	PIT-1702-CSTOE+Handset
PIT-1702-CRCOE	PIT-1702-CSTOE+wired remote controller (6 keys)
<b>Core2 Duo Platform</b>	
PIT-1702-USTOE	17", Intel 945 Core2 Duo 1.06 G, 1 G SDRAM, 80 G HDD
PIT-1702-UTVOE	PIT-1702-USTOE+TV tuner
PIT-1702-UHTOE	PIT-1702-USTOE+Handset
PIT-1702-URCOE	PIT-1702-USTOE+wired remote controller (6 Keys)

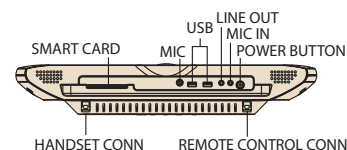
## Packing List

Description	Quantity
CD Utility	1
AC/DC Power Adapter	1
User Manual	1

## Accessories

Part Number	Description
PIT-1702-HSKE	Handset
PIT-1702-RCKE	Wired remote controller (6 keys)

## Bottom I/O Placement



## Rear I/O placement

