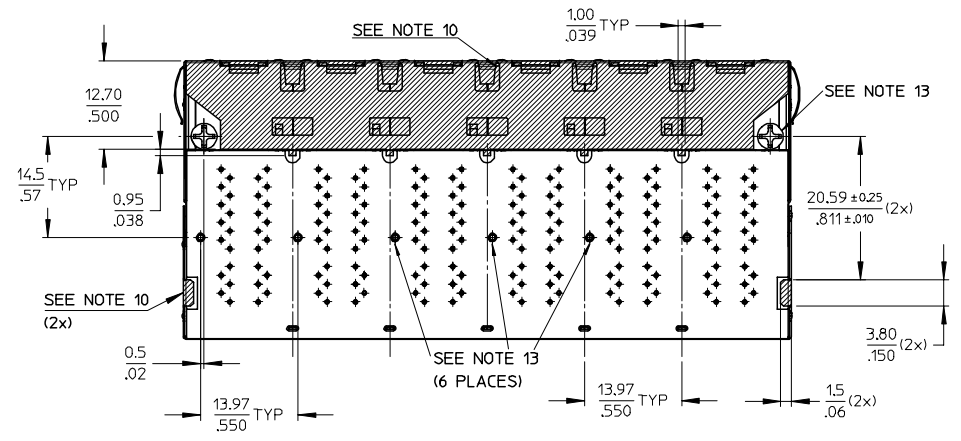
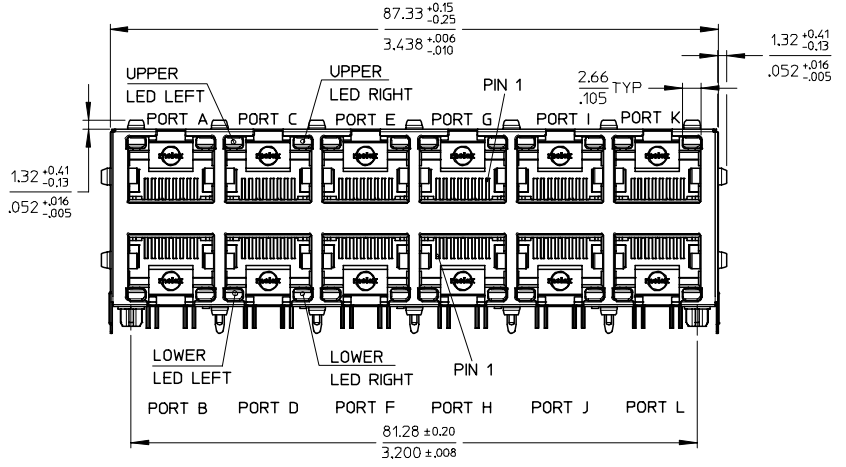
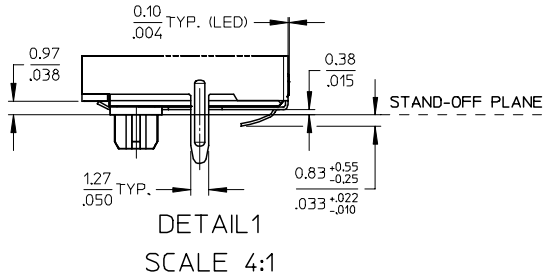
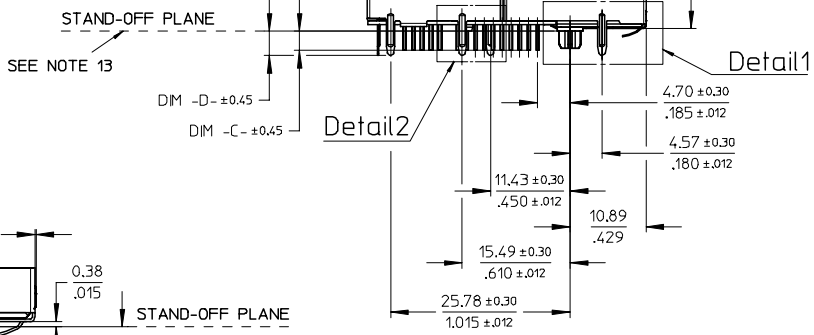
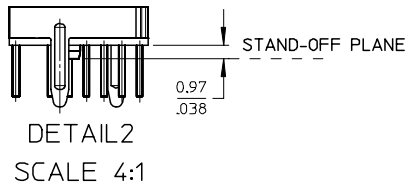


13 12 11 10 9 8 7 6 5 4 3 2 1



MATERIAL NUMBER	NUMBERS OF PORTS	DIM -C-	DIM -D-	SEE NOTE
85780-1005	6/6	4.0/0.157	3.8/0.150	11

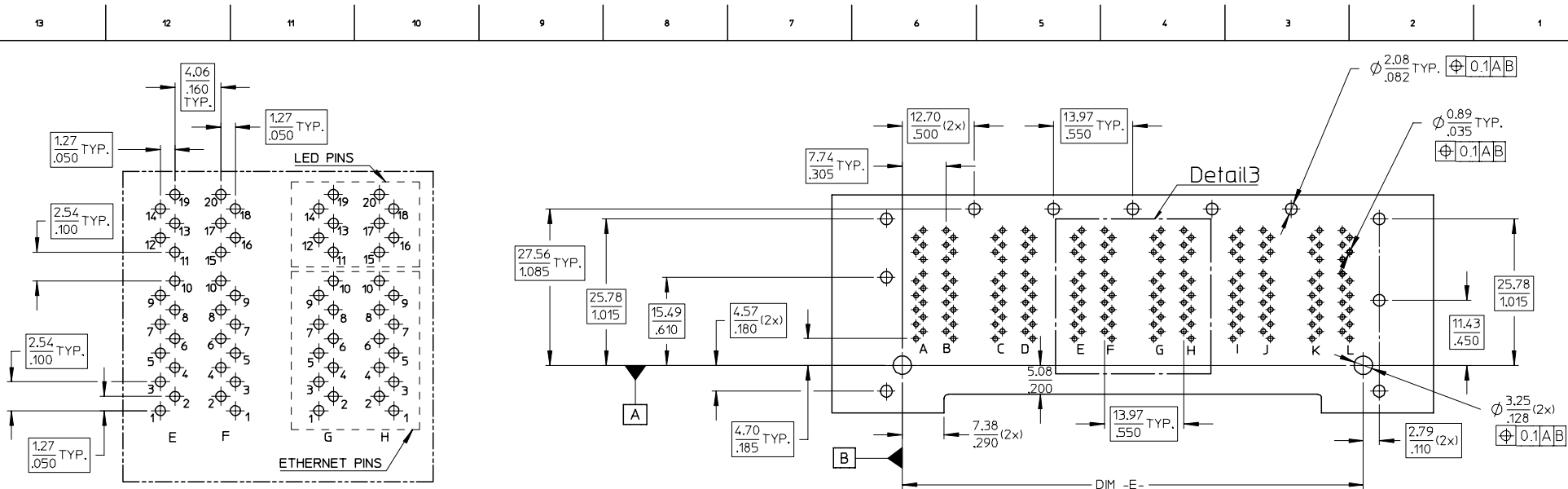
- NOTES:
- 1- SHIELD MATERIAL: BRASS, PLATING: NICKEL
 - 2- HOUSING MATERIAL: THERMOPLASTIC UL 94-V0, COLOR BLACK
 - 3- TERMINAL: PHOSPHOR BRONZE
PLATING:
POSTPLATE OR SPOTPLATE 0.00076 / .00003 MIN GOLD
OVER 0.00127 / .00005 MIN NICKEL IN CONTACT AREA
TIN DIP IN TAIL AREA, BOTH OVER
0.00127 / .000050 MIN NICKEL OVER ALL.
 - 4- JACK TO BE MATCHED WITH F.C.C. 68.5 PLUGS (MOLEX-PLUGS: 85568.95043.90075-SERIES)
 - 5- PRODUCT SPECIFICATION: PS-85780-001
 - 6- PLEASE REQUEST MOLEX FOR A FRENCH INSTALLATION MANUAL IF DISTRIBUTED IN CANADA
 - 8- RECOMMENDED PCB LAYOUT AND PANEL CUT OUT SEE SHEET 2
 - 10- NO TRACES WITHOUT INSULATION ALLOWED ON BOARD PCB IN THIS DASHED AREAS UNDER THE METAL SHIELD
 - 11- PIN LENGTH FOR RECOMMENDED PCB MAX. THICKNESS OF .140" REFER TO STANDARD PC 610 REVISION C, CLASS 3
 - 12- STAND-OFF PLANE TO CUSTOMER PCB

PATENTS PENDING

EC NO. M62007-0068 DRAWN BY: RSCHIEBER 2006/12/11 CHKD: MARLT 2006/12/12 APPR: AVOST 2006/12/19 DESCRIPTION	QUALITY SYMBOLS ▽=0 ▽=0	GENERAL TOLERANCES (UNLESS SPECIFIED) 4 PLACES ± --- ± --- 3 PLACES ± --- ± .006 2 PLACES ± 0.15 ± .01 1 PLACE ± 0.25 ± --- ANGULAR ± 5°	DIMENSION STYLE MM/IN DRAWN BY: RSCHIEBER DATE: 2006/04/21 CHECKED BY: MARLT DATE: 2006/04/21 APPROVED BY: SFILIPON DATE: 2006/04/21	SCALE: 2:1 DESIGN UNITS: METRIC THIRD ANGLE PROJECTION	TITLE: HJ1000 S&G WITH LED NON POE BASED POE POP SWAPPED PORTS
	DRAFT WHERE APPLICABLE MUST REMAIN WITHIN DIMENSIONS	MATERIAL NO.: 85780-1005 SIZE: A2	DOCUMENT NO.: SD-85780-002	SHEET NO.: 1 OF 2	

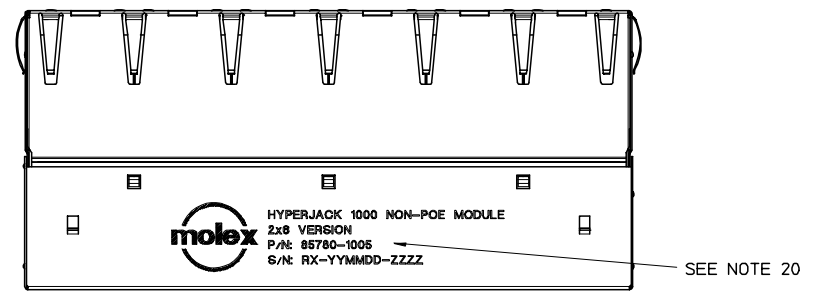
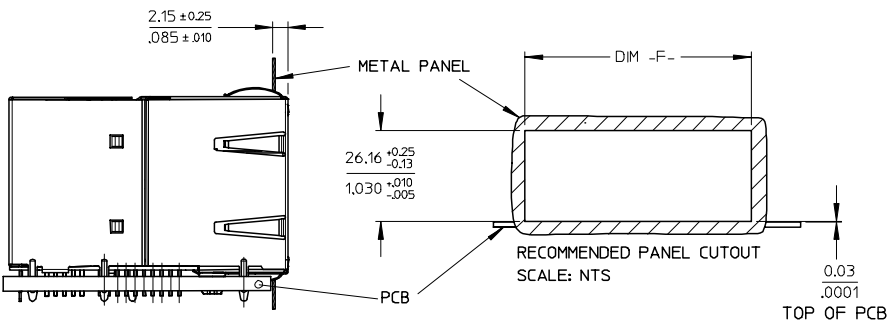
THIS DRAWING CONTAINS INFORMATION THAT IS PROPRIETARY TO MOLEX INCORPORATED AND SHOULD NOT BE USED WITHOUT WRITTEN PERMISSION

12 11 10 9 8 7 6 5 4 3 2 1



Detail3 SCALE 4:1
PORTS E, F, G, H
(THE SAME FOR ALL VERSIONS)

SUGGESTED PCB BOARD LAYOUT 2x6 VERSION, COMPONENT SIDE VIEW



MATERIAL NUMBER	NUMBERS OF PORTS	DIM -E-	DIM -F-
85780-1005	6/6	81.28/3.2	88.01/3.465

NOTES:
20 - INSCRIPTION TO BE MARKED BY LASER PRINTER.
INSCRIPTION:
PART NAME
PART NUMBER
SERIES NUMBER -> CONNECTOR REVISION - DATE CODE (YEAR, MONTH, DAY) - CONSECUTIVE NUMBER

PATENTS PENDING

EC NO: M62007-0068 DRAWN BY: DRW/RSCHIEBER CHKD/MARLT APPR/AVOST DATE: 2006/12/11 2006/12/12 2006/12/19	QUALITY SYMBOLS ▽=0 ▽=0	GENERAL TOLERANCES (UNLESS SPECIFIED)		DIMENSION STYLE MM/IN		SCALE 2:1	DESIGN UNITS METRIC	THIRD ANGLE PROJECTION
		4 PLACES ± --- ± --- 3 PLACES ± --- ± .006 2 PLACES ± 0.15 ± .01 1 PLACE ± 0.25 ± --- ANGULAR ± 5 °	DRAWN BY: RSCHIEBER DATE: 2006/04/21 CHECKED BY: MARLT DATE: 2006/04/21 APPROVED BY: SFILIPON DATE: 2006/04/21	TITLE HJ1000 S&G WITH LED NON POE BASED POE POP SWAPPED PORTS			MATERIAL NO. SD-85780-002	DOCUMENT NO.
DRAFT WHERE APPLICABLE MUST REMAIN WITHIN DIMENSIONS		SEE SHEET 1			THIS DRAWING CONTAINS INFORMATION THAT IS PROPRIETARY TO MOLEX INCORPORATED AND SHOULD NOT BE USED WITHOUT WRITTEN PERMISSION			