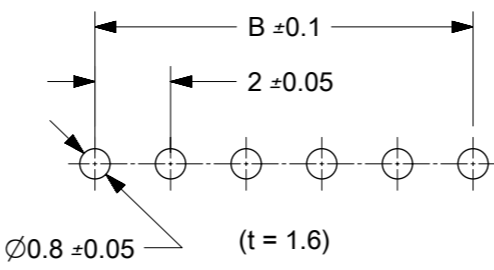
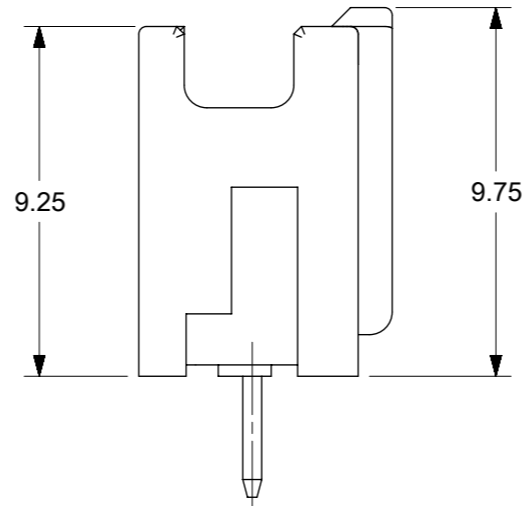
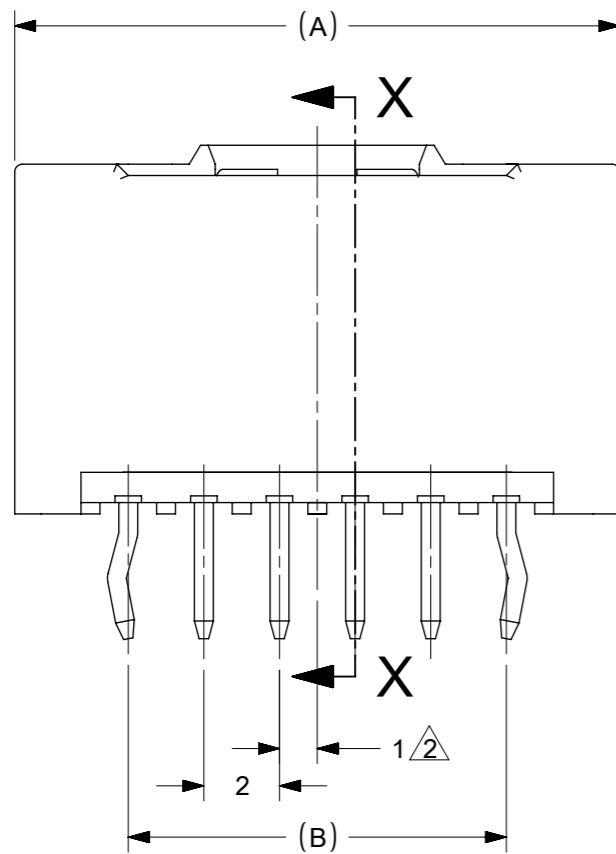


SECTION X-X



- NOTE
- MATE WITH 51382-XXXX
 - APPLY EVEN CIRCUIT PRODUCTS
 - KINK TO BE APPLIED BOTH ENDS
 - MATERIALS
HOUSING : PBT, UL94V-0
PIN : BRASS
 - FINISHES : PIN TERMINAL
PREPLATED TIN 1µm MIN.
NICKEL UNDERPLATE 0.5µm MIN.
 - MATERIAL NO.
55932- X X X X

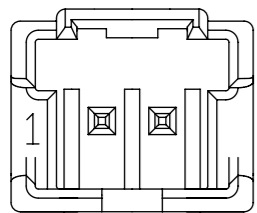
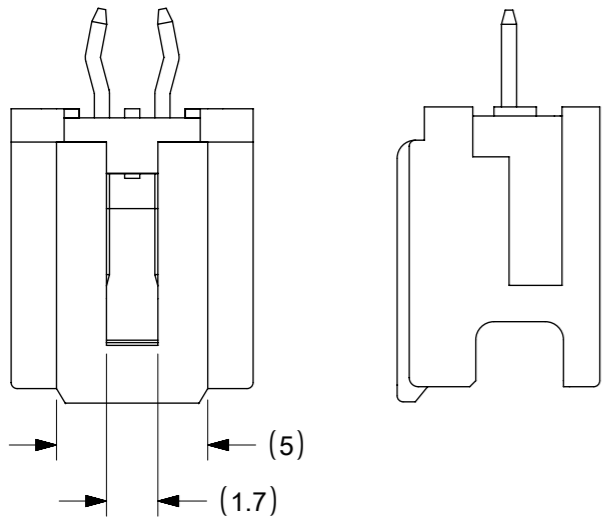
CIRCUIT SIZE5 COLOR

30	NATURAL (WHITE)
31	BLACK
32	RED
33	YELLOW
34	BLUE
35	PINK
36	GREEN
37	BROWN
38	ORANGE
39	VIOLET
51	GRAY
53	FLUORESCENT YELLOW
54	PALE BLUE
55	FLUORESCENT PINK
56	YELLOWISH GREEN
58	FLUORESCENT ORANGE

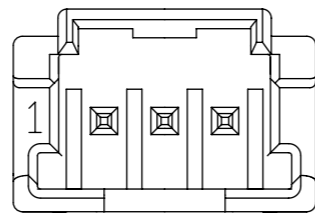
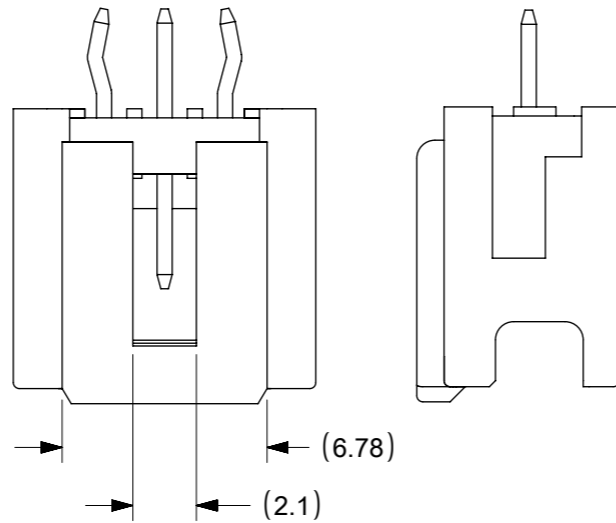
CKT.	△ MATERIAL NO.	A	B	C
2	55932-02XX	8	2	5
3	55932-03XX	10	4	7
4	55932-04XX	12	6	9
5	55932-05XX	14	8	11
6	55932-06XX	16	10	13
7	55932-07XX	18	12	15
8	55932-08XX	20	14	17
9	55932-09XX	22	16	19
10	55932-10XX	24	18	21
11	55932-11XX	26	20	23
12	55932-12XX	28	22	25
13	55932-13XX	30	24	27
14	55932-14XX	32	26	29
15	55932-15XX	34	28	31

MODEL NO. : 55932-****

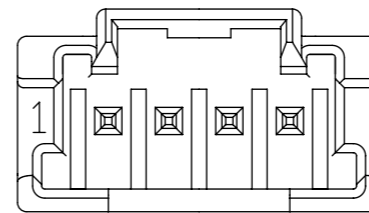
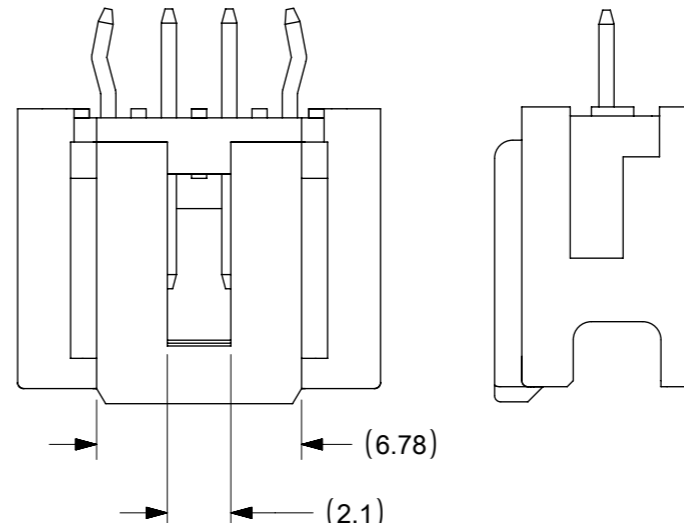
FUNCTIONAL SYMBOLS √A = 0 √E = 0 √F = 0	THIS DRAWING CONTAINS INFORMATION THAT IS PROPRIETARY TO MOLEX ELECTRONIC TECHNOLOGIES, LLC AND SHOULD NOT BE USED WITHOUT WRITTEN PERMISSION	CURRENT REV DESC: MIGRATED TO ECTR		molex	
	DIMENSION UNITS: mm	SCALE: NTS	2.0 W/B CONN. PLUG HOUSING ASSY ST -LEAD FREE-		
	GENERAL TOLERANCES (UNLESS SPECIFIED)	ANGULAR TOL ± 3.0°		PRODUCT CUSTOMER DRAWING	
	4 PLACES ±	EC NO: 634332	DRWN: SS06	2020/03/02	DOCUMENT NUMBER: SD-55932-006
3 PLACES ±	DRWN: SS06	CHK'D: SS06	2020/03/19	DOC TYPE: PSD	DOC PART: 001
2 PLACES ± 0.2	APPR: ISHWARG	INITIAL REVISION:	2002/02/18	REVISION: H1	
1 PLACE ± 0.2	DRWN: TNIITSU	DRWN: TNIITSU	2002/02/20	SHEET NUMBER: 1 OF 2	
0 PLACES ± 0.2	APPR: KASAKAWA	THIRD ANGLE PROJECTION	DRAWING: A3-SIZE	SERIES: 55932	MATERIAL NUMBER: SEE TABLE
DRAFT WHERE APPLICABLE MUST REMAIN WITHIN DIMENSIONS				CUSTOMER: GENERAL MARKET	



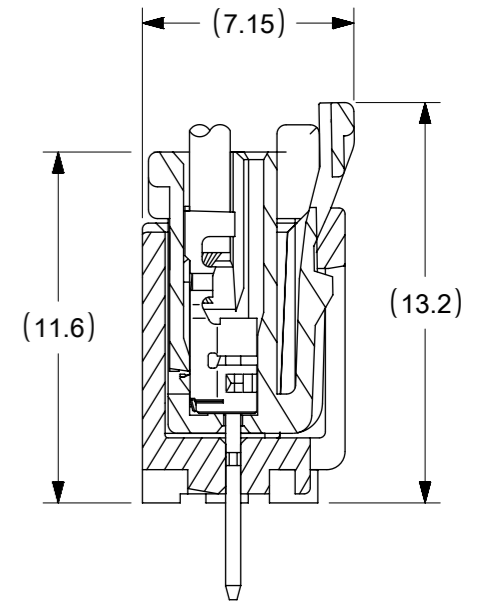
2 CIRCUIT



3 CIRCUIT

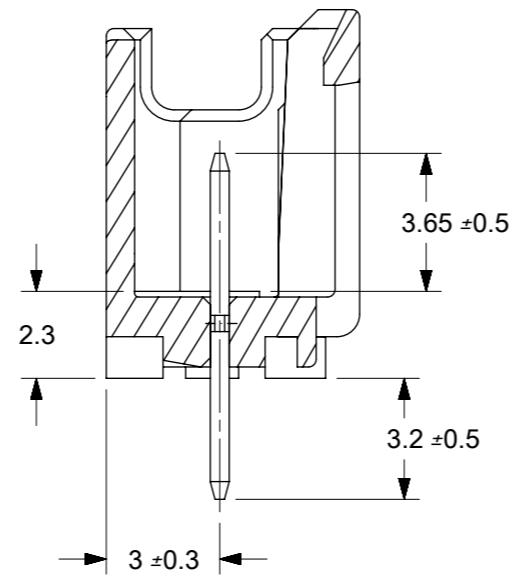
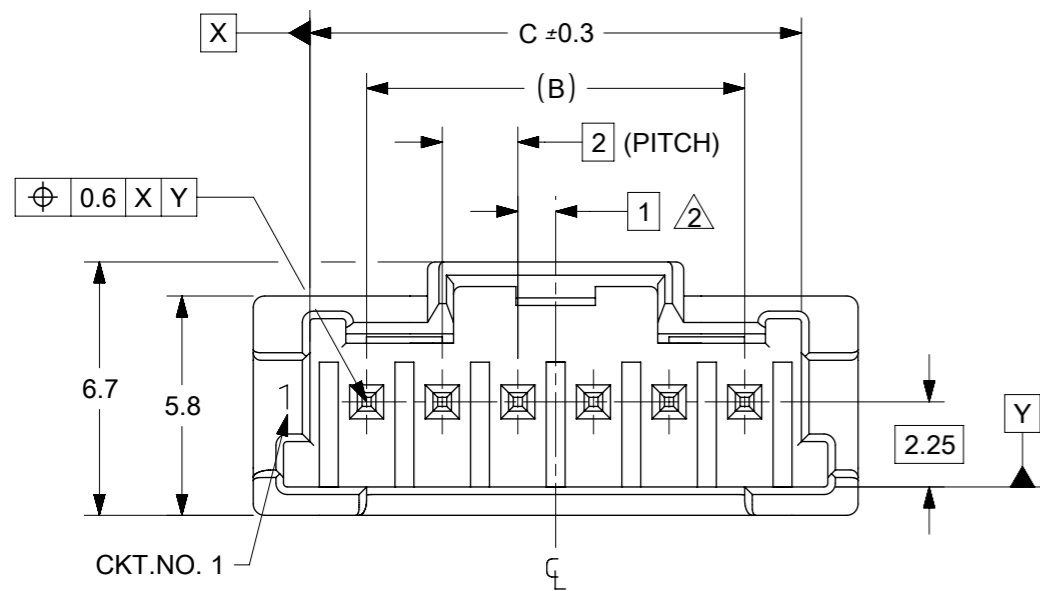


4 CIRCUIT

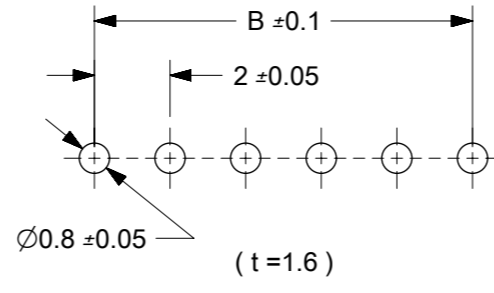
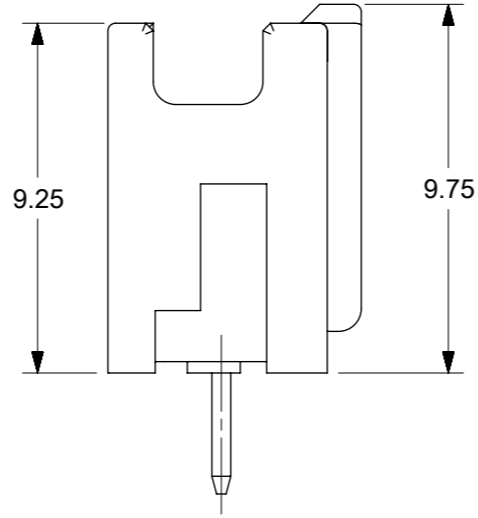
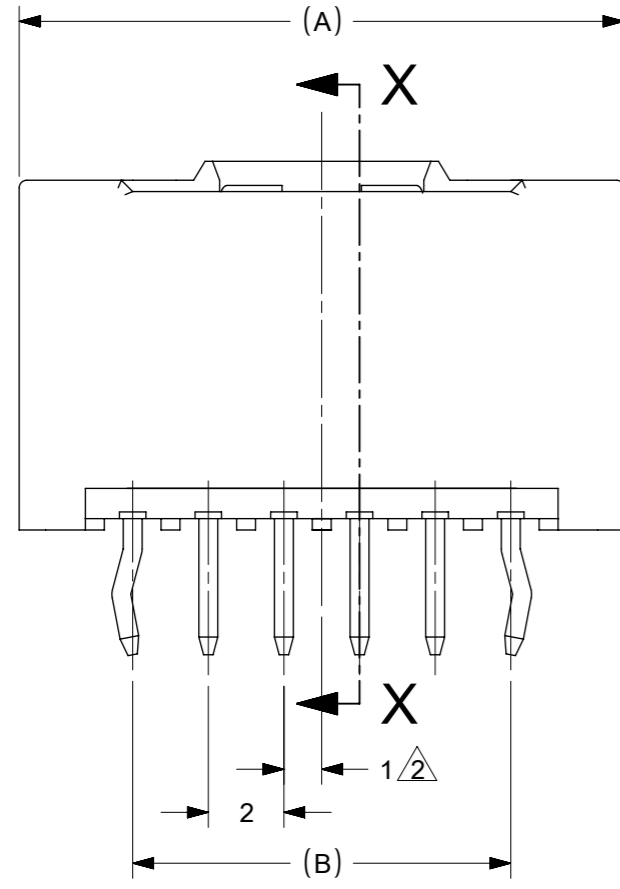


MATING CROSS SECTION

FUNCTIONAL SYMBOLS	THIS DRAWING CONTAINS INFORMATION THAT IS PROPRIETARY TO MOLEX ELECTRONIC TECHNOLOGIES, LLC AND SHOULD NOT BE USED WITHOUT WRITTEN PERMISSION		CURRENT REV DESC: MIGRATED TO ECTR		molex					
	DIMENSION UNITS	SCALE								
$\nabla_A = 0$	mm	NTS	GENERAL TOLERANCES (UNLESS SPECIFIED)		2.0 W/B CONN. PLUG HOUSING ASSY ST -LEAD FREE-					
$\nabla_B = 0$	ANGULAR TOL $\pm 3.0^\circ$		4 PLACES \pm		PRODUCT CUSTOMER DRAWING					
$\nabla_C = 0$	3 PLACES \pm		2 PLACES ± 0.2		DOCUMENT NUMBER					
DIVISIONAL SYMBOLS	1 PLACE ± 0.2		0 PLACES ± 0.2		SD-55932-006					
	DRAFT WHERE APPLICABLE MUST REMAIN WITHIN DIMENSIONS		THIRD ANGLE PROJECTION	DRAWING	SERIES	MATERIAL NUMBER	CUSTOMER	DOC TYPE	DOC PART	REVISION
				A3-SIZE	55932	SEE SHEET 1	GENERAL MARKET	PSD	001	H1
	DOCUMENT STATUS		P1	RELEASE DATE	2020/03/19	12:02:02	SHEET NUMBER		2 OF 2	



SECTION X-X



NOTE

1. MATE WITH 51382-XXXX
2. APPLY EVEN CIRCUIT PRODUCTS
3. KINK TO BE APPLIED BOTH ENDS
4. MATERIALS
HOUSING : PBT, UL94V-0
PIN : BRASS
5. FINISHES : PIN TERMINAL
PREPLATED TIN 1µm MIN.
NICKEL UNDERPLATE 0.5µm MIN.
6. MATERIAL NO.

55932- X X X X

CIRCUIT SIZE — COLOR

30	NATURAL (WHITE)
31	BLACK
32	RED
33	YELLOW
34	BLUE
35	PINK
36	GREEN
37	BROWN
38	ORANGE
39	VIOLET
51	GRAY
53	FLUORESCENT YELLOW
54	PALE BLUE
55	FLUORESCENT PINK
56	YELLOWISH GREEN
58	FLUORESCENT ORANGE

CKT.	△ MATERIAL NO.	A	B	C
2	55932-02XX	8	2	5
3	55932-03XX	10	4	7
4	55932-04XX	12	6	9
5	55932-05XX	14	8	11
6	55932-06XX	16	10	13
7	55932-07XX	18	12	15
8	55932-08XX	20	14	17
9	55932-09XX	22	16	19
10	55932-10XX	24	18	21
11	55932-11XX	26	20	23
12	55932-12XX	28	22	25
13	55932-13XX	30	24	27
14	55932-14XX	32	26	29
15	55932-15XX	34	28	31

MODEL NO. : 55932- ****

THIS DRAWING CONTAINS INFORMATION THAT IS PROPRIETARY TO MOLEX ELECTRONIC TECHNOLOGIES, LLC AND SHOULD NOT BE USED WITHOUT WRITTEN PERMISSION

CURRENT REV DESC: MIGRATED TO ECTR

molex

2.0 W/B CONN.PLUG
HOUSING ASS'Y WO BOSS -LEAD FREE-

PRODUCT CUSTOMER DRAWING

EC NO: 634332
DRWN: SS06
CHK'D: SS06
APPR: ISHWARG

INITIAL REVISION:
DRWN: YMAEDA
APPR: NUKITA

2020/03/02
2020/03/19
2020/03/19

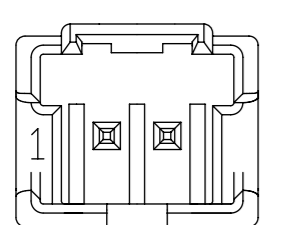
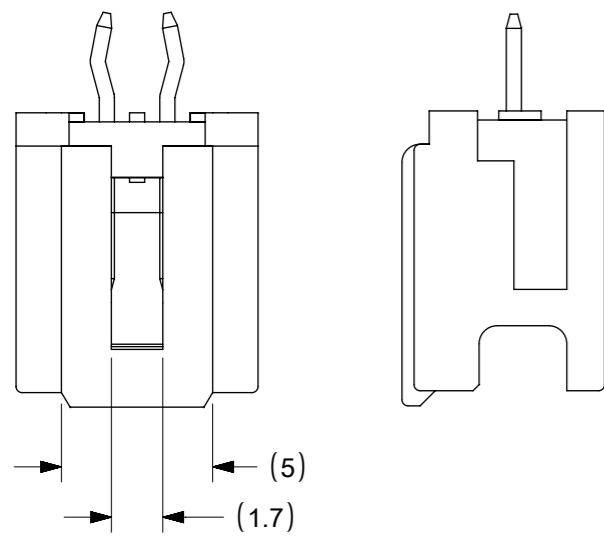
2005/11/08
2005/11/09

DOCUMENT NUMBER: SD-55932-007
DOC TYPE: PSD
DOC PART: 001
REVISION: A1

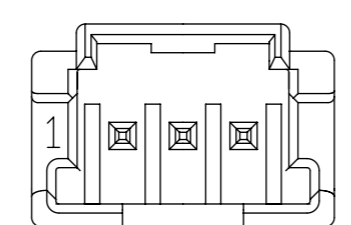
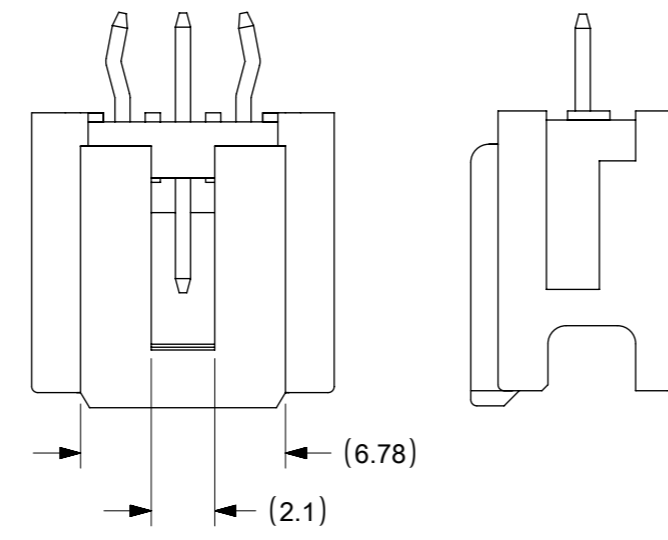
DRAFT WHERE APPLICABLE
MUST REMAIN
WITHIN DIMENSIONS

THIRD ANGLE PROJECTION

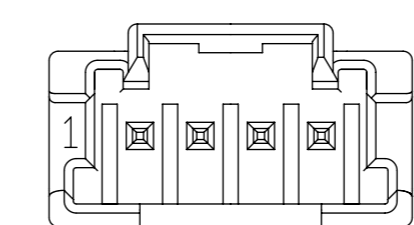
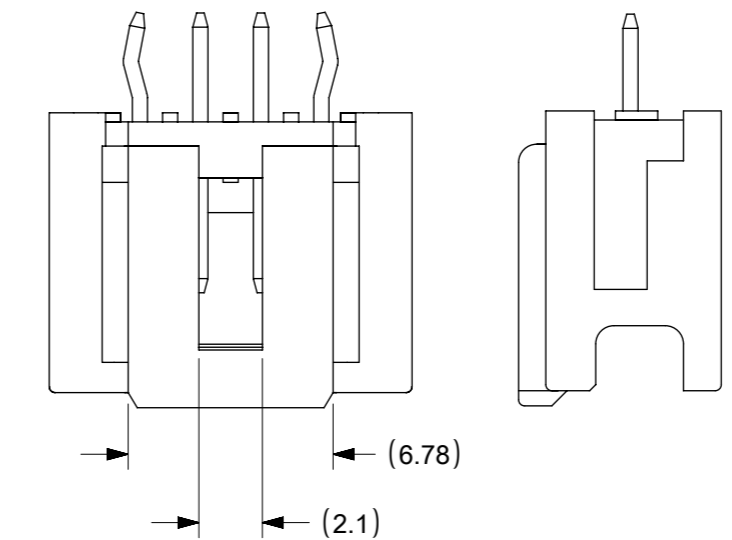
DRAWING: A3-SIZE
SERIES: 55932
MATERIAL NUMBER: SEE TABLE
CUSTOMER: GENERAL MARKET
SHEET NUMBER: 1 OF 2



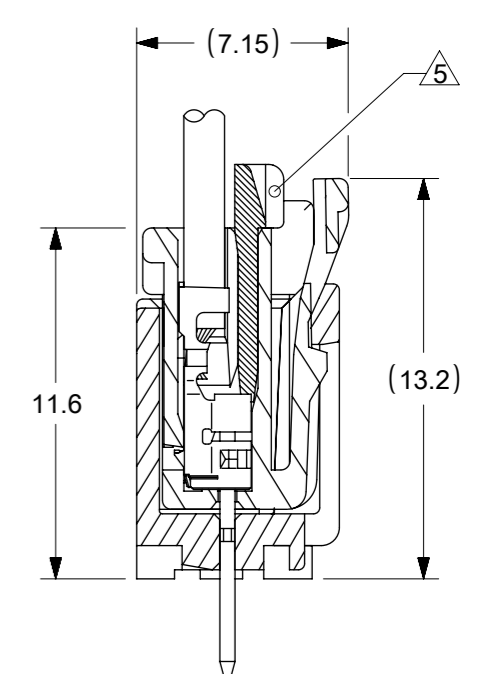
2 CIRCUIT



3 CIRCUIT



4 CIRCUIT



MATING CROSS SECTION

MODEL NO. : 55932-****

FUNCTIONAL SYMBOLS $\nabla_A = 0$ $\nabla_E = 0$ $\nabla_V = 0$	THIS DRAWING CONTAINS INFORMATION THAT IS PROPRIETARY TO MOLEX ELECTRONIC TECHNOLOGIES, LLC AND SHOULD NOT BE USED WITHOUT WRITTEN PERMISSION	CURRENT REV DESC: MIGRATED TO ECTR				
	DIMENSION UNITS	SCALE	2.0 W/B CONN.PLUG HOUSING ASS'Y WO BOSS -LEAD FREE-			
	mm	NTS	PRODUCT CUSTOMER DRAWING			
	GENERAL TOLERANCES (UNLESS SPECIFIED)			EC NO: 634332	2020/03/02	DOCUMENT NUMBER SD-55932-007
ANGULAR TOL ± 3.0°			DRWN: SS06	2020/03/19		
DIVISIONAL SYMBOLS			3 PLACES ±	2020/03/19	DOC TYPE PSD	
4 PLACES ±			CHK'D: SS06	2005/11/08	DOC PART 001	
2 PLACES ± 0.2			APPR: ISHWARG	2005/11/09	REVISION A1	
1 PLACE ± 0.2			INITIAL REVISION:			
0 PLACES ± 0.2			DRWN: YMAEDA			
DRAFT WHERE APPLICABLE MUST REMAIN WITHIN DIMENSIONS			APPR: NUKITA			
THIRD ANGLE PROJECTION		DRAWING	SERIES	MATERIAL NUMBER	CUSTOMER	SHEET NUMBER
		A3-SIZE	55932	SEE SHEET 1	GENERAL MARKET	2 OF 2

DOCUMENT STATUS	P1	RELEASE DATE	2020/03/19	12:02:03
-----------------	----	--------------	------------	----------