

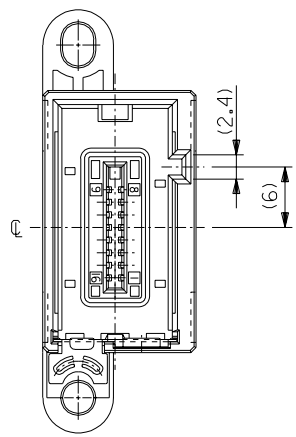
中継取り付けブラケットパネル推奨寸法  
RECOMMENDED PANEL OPENING

54679-1639	54679-16*9
54679-1629	
54679-1619	
54679-1609	
MATERIAL NO.	MODEL NO.

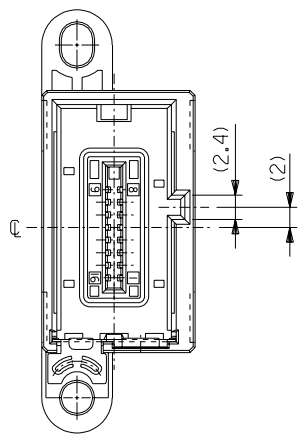
DO NOT SCALE DRAWING

EC NO. DRWN: CHK: APPR:	EC NO. DRWN: CHK: APPR:	EC NO. DRWN: CHK: APPR:	EC NO. DRWN: CHK: APPR:	EC NO. DRWN: CHK: APPR:	RELEASED EC NO. J2004-3693 DRWN: H.KAWABATA 04/04/08 CHK: K.TOJO 04/04/08 APPR: M.SASAO 04/04/08	DESCRIPTION	MATERIAL 材料	GENERAL TOLERANCES: (UNLESS SPECIFIED) 一般公差	SCALE 2:1	DESIGN UNITS <input checked="" type="checkbox"/> mm <input type="checkbox"/> INCH	THIRD ANGLE PROJECTION	DIMENSIONS: <input type="checkbox"/> mm <input type="checkbox"/> INCH <input type="checkbox"/> mm <input type="checkbox"/> INCH <input checked="" type="checkbox"/> mm ONLY	SHT REV
					SEE NOTES	SEE NOTES	SEE NOTES	10 UNDER 未満	±0.2	DRAWN BY & DATE H.KAWABATA 04/04/08	TITLE: SMALL MGC PANEL MOUNT REC.HS'G ASS'Y		
							FINISH 仕上げ	10 OVER 30 UNDER 未満	±0.25	CHECKED BY & DATE K.TOJO 04/04/08	-LEAD FREE-		
							WIRE RANGE 適用電線範囲	30 OVER 以上	±0.3	APPROVED BY & DATE M.SASAO 04/04/08	<b>MOLEX</b> MOLEX INCORPORATED		
							INS. RANGE 被覆外径	ANGLE 角度	±3°	CAD FILENAME SD-54679-004.S01	MATERIAL NO. SEE CHART	DRAWING NO. SD-54679-004	SHEET NO. 1 OF 2
THIS DRAWING CONTAINS INFORMATION THAT IS PROPRIETARY TO MOLEX INCORPORATED AND SHOULD NOT BE USED WITHOUT WRITTEN PERMISSION.											SIZE B		

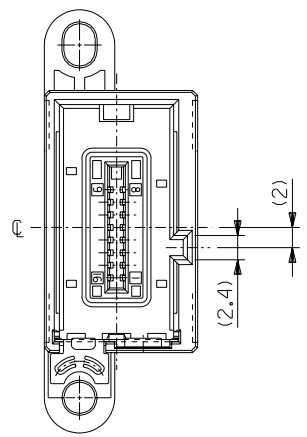
54679-1609



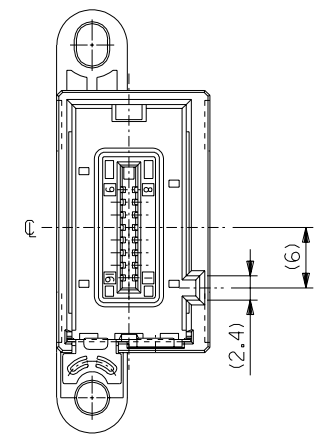
54679-1619



54679-1629



54679-1639



NOTE :

1. 適合リセプタクル (Mini Mil CONNECTOR) APPRICABLE RECEPTACLE

圧接ハウジングアッセンブリ : 54596シリーズ  
 IDT RECEPTACLE HOUSING ASS'Y : 54596シリーズ  
 : 54596シリーズ

2. 材質 MATERIAL

ハウジング : ガラス入りPBT, UL94V-0 灰色  
 HOUSING:PBT,G.F. UL94V-0 GRAY  
 ターミナル : 燐青銅  
 TERMINAL:PHOSPHOR BRONZE  
 グランドターミナル : 燐青銅  
 GROUND TERMINAL:PHOSPHOR BRONZE

3. メッキ仕様 PLATING

ターミナル TERMINAL  
 金メッキ GOLD : 0.1μm MIN.(接点部)  
 : 0.1 MICROMETER MINIMUM.(CONTACT AREA)  
 錫メッキ TIN : 1.0μm MIN.(リセプタクル嵌合部)  
 : 1.0 MICROMETER MINIMUM.(RECEPTACLE CONNECTED AREA)  
 半光沢ニッケルメッキ NICKEL : 2.0μm MIN.(下地メッキ)  
 : 2.0 MICROMETER MINIMUM.(UNDER PLATING)  
 グランドターミナル GROUND TERMINAL  
 錫メッキ TIN : 0.9μm MIN.(リフローメッキ)  
 : 0.9 MICROMETER MINIMUM.(REFLOW TREATMENT)

DO NOT SCALE DRAWING

EC NO. DRWN: CHK: APPR:	EC NO. DRWN: CHK: APPR:	EC NO. DRWN: CHK: APPR:	EC NO. DRWN: CHK: APPR:	EC NO. DRWN: CHK: APPR:	EC NO. DRWN: CHK: APPR:	DESCRIPTION	MATERIAL 材料	— # —	GENERAL TOLERANCES: (UNLESS SPECIFIED) 一般公差	10 UNDER 未満	±0.2	DRAWN BY & DATE H.KAWABATA '04/04/08	MODEL NO. 54697-16*9	DIMENSIONS: THIRD ANGLE PROJECTION <input type="checkbox"/> mm <input type="checkbox"/> INCH <input checked="" type="checkbox"/> mm ONLY	SHT REV	REVISE ON CAD ONLY
							FINISH 仕上げ	— # —		10 OVER 30 UNDER 以上 未満	±0.25					
EC NO. DRWN: CHK: APPR:	EC NO. DRWN: CHK: APPR:	EC NO. DRWN: CHK: APPR:	EC NO. DRWN: CHK: APPR:	EC NO. DRWN: CHK: APPR:	EC NO. DRWN: CHK: APPR:	DESCRIPTION	WIRE RANGE 適用電線範囲	— # —	30 OVER 以上	±0.3	APPROVED BY & DATE M.SASAO '04/04/08	MATERIAL NO. SEE CHART	DRAWING NO. SD-54679-004	SHEET NO. 2 OF 2		
							INS. RANGE 被覆外径	— # —	ANGLE 角度	±3°	CAD FILENAME SD-54679-004.S02				MATERIAL NO. SEE CHART	DRAWING NO. SD-54679-004

THIS DRAWING CONTAINS INFORMATION THAT IS PROPRIETARY TO MOLEX INCORPORATED AND SHOULD NOT BE USED WITHOUT WRITTEN PERMISSION. SIZE B