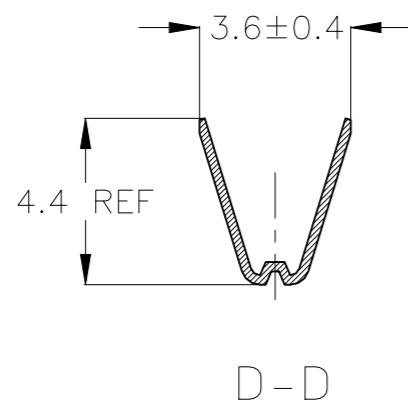
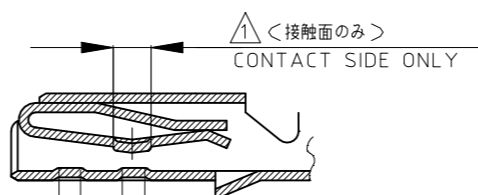
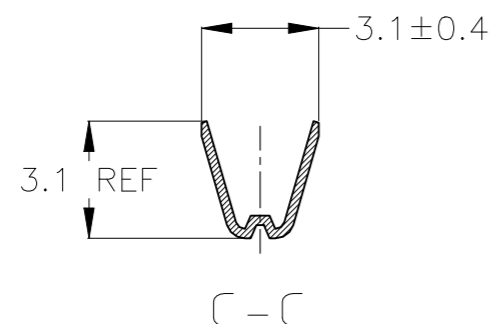
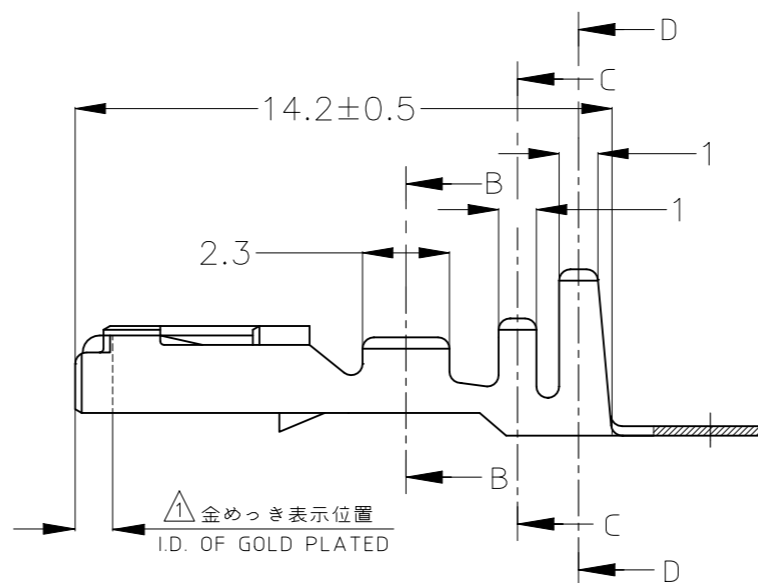
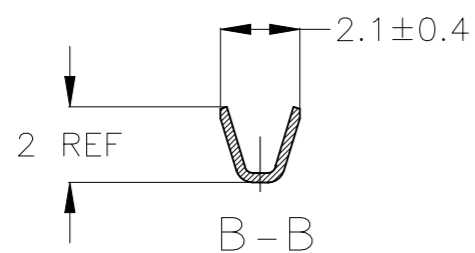
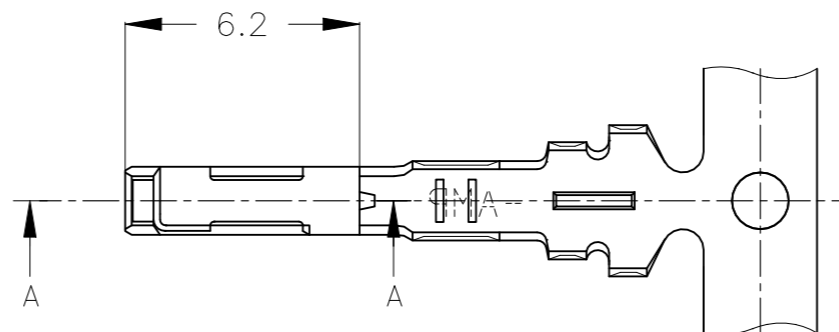
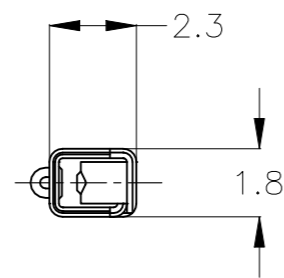


REVISIONS
変更

P	LTR	DESCRIPTION	DATE	DWN	APVD
	O2	REVISED ECR-06-026280	08NOV06	TS	KB
	A	REVISED PER ECR-22-154022	28NOV2022	RK	MT



①部分金めっき
2. 圧着規格 114-5133

①SELECTIVE GOLD
2. CRIMP SPEC. 114-5133

OBSOLETE	①SELECTIVE GOLD 部分金めっき	175094-2
	PRE-TINNED 錫めっき済	175094-1
	FINISH 仕上げ	PN 型番

WIRE RANGE 0.3~0.56mm ² (AWG#22-#20)	THIS DRAWING IS A CONTROLLED DOCUMENT.	
INSULATION DIA. 1.0-1.4 mmφ	DIMENSIONS: 単位: 耗 mm	TOLERANCES UNLESS OTHERWISE SPECIFIED: 一般公差
TOLERANCE UNLESS OTHERWISE SPECIFIED: 一般公差		0 PLC ±- 1 PLC ±- 2 PLC ±- 3 PLC ±- 4 PLC ±- ANGLES ±-
0 $x \le 10$: ±0.2 10 $x \le 30$: ±0.25 30 $x \le 100$: ±0.3 ANGLE ; ±3° 角度		MATERIAL 材料 KLF-5 THICKNESS; 0.25

DWN A.YAMAGUCHI 09JUL03	TE Connectivity 040 SERIES RECEPTACLE CONTACT
CHK K.BETSUI 09JUL03	
APVD K.BETSUI 09JUL03	
PRODUCT SPEC 製品規格 -	
APPLICATION SPEC 取付適用規格 SEE NOTE	NAME 名称
WEIGHT -	SIZE A3
CUSTOMER DRAWING	CAGE CODE 00779
	DRAWING NO 番号 C-175094
	RESTRICTED TO -
	SCALE 尺度 5:1
	SHEET 1 OF 1
	REV A