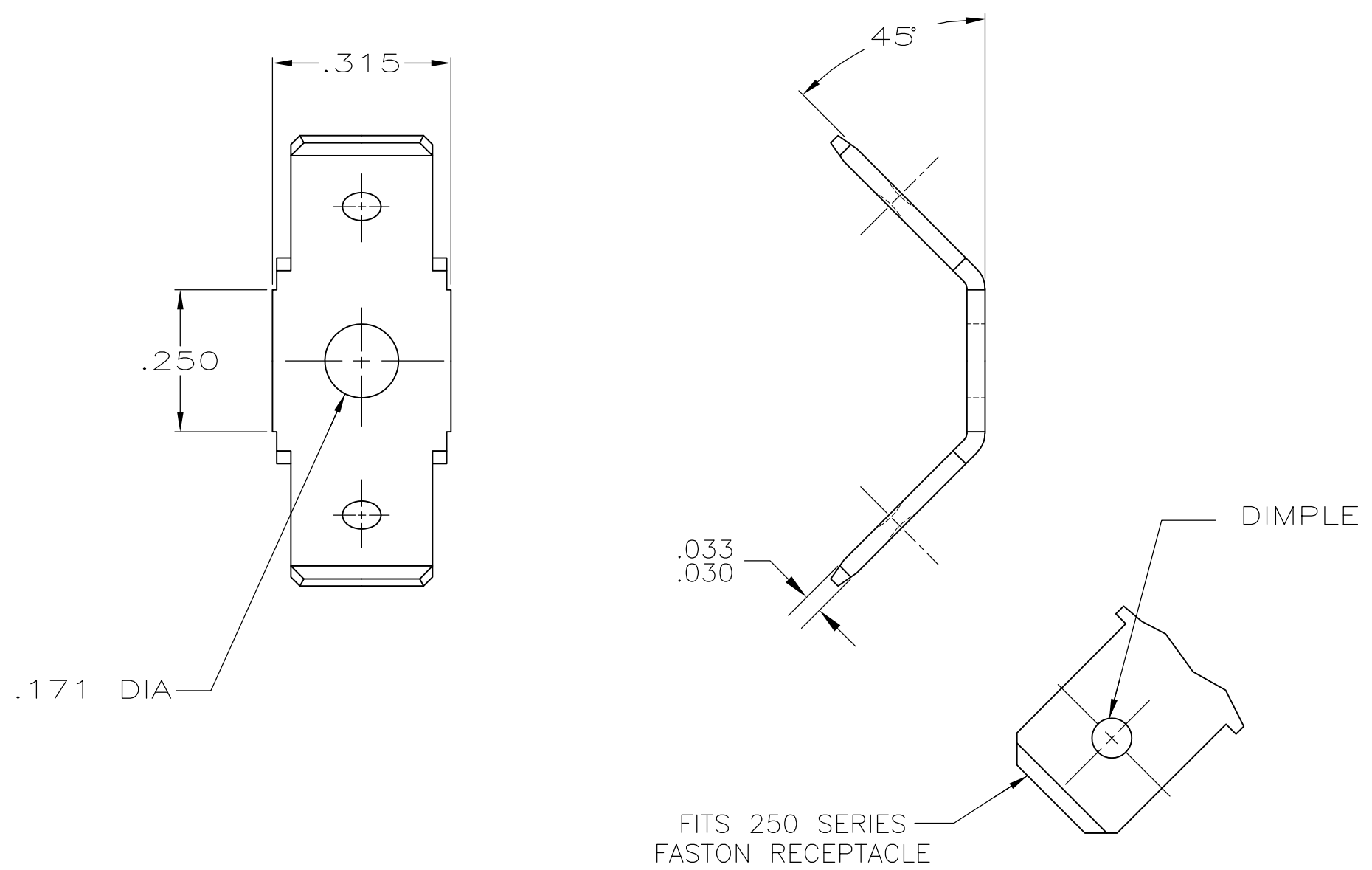



THIS DRAWING IS UNPUBLISHED. RELEASED FOR PUBLICATION  
 © COPYRIGHT - By - ALL RIGHTS RESERVED.

LOC	DIST	REVISIONS			
P	LTR	DESCRIPTION	DATE	DWN	APVD
AF	50	AB	REVISED PER ECR-13-011489	07DEC2013	KH PD

1 SUPPLIED IN LOOSE PIECE.



-	-
-	41616
FINISH	PART NUMBER

THIS DRAWING IS A CONTROLLED DOCUMENT.		DWN	26SEP2002	 TE Connectivity															
DIMENSIONS: INCHES		CHK	26SEP2002																
<table border="1"> <tr> <th colspan="2">TOLERANCES UNLESS OTHERWISE SPECIFIED:</th> </tr> <tr> <td>0 PLC</td> <td>± -</td> </tr> <tr> <td>1 PLC</td> <td>± -</td> </tr> <tr> <td>2 PLC</td> <td>± -</td> </tr> <tr> <td>3 PLC</td> <td>± .010</td> </tr> <tr> <td>4 PLC</td> <td>± -</td> </tr> <tr> <td>ANGLES</td> <td>± -</td> </tr> </table>		TOLERANCES UNLESS OTHERWISE SPECIFIED:				0 PLC	± -	1 PLC	± -	2 PLC	± -	3 PLC	± .010	4 PLC	± -	ANGLES	± -	APVD	26SEP2002
TOLERANCES UNLESS OTHERWISE SPECIFIED:																			
0 PLC	± -																		
1 PLC	± -																		
2 PLC	± -																		
3 PLC	± .010																		
4 PLC	± -																		
ANGLES	± -																		
MATERIAL: BRASS		FINISH: SEE TABLE		NAME: TAB, FASTON, LOOSE PIECE, .250 SERIES															
CUSTOMER DRAWING		WEIGHT	-	SIZE	A3														
				CAGE CODE	00779														
				DRAWING NO	C-41616														
				RESTRICTED TO	-														
				SCALE	4:1														
				SHEET	1 OF 1														
				REV	AB														