

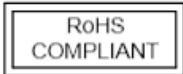
**MATERIAL SPECIFICATIONS:**  
 Housing: LCP, UL-94V-0 rated  
 Contacts: Phosphor bronze, Tin plated

**ELECTRICAL SPECIFICATIONS:**  
 Rated current: UL = 5A / 22 - 26AWG  
 cUL = 5A / 22AWG, 3A / 24 - 26AWG  
 IEC/EN = 3A  
 Rated voltage: UL/cUL = 320V, IEC/EN = 160V

**MECHANICAL SPECIFICATIONS:**  
 Applicable wire: 0.14 ~ 0.34mm<sup>2</sup> solid  
 26-22 AWG solid

Wire strip length: 4.5 - 5.5mm  
 Connection type: Cage clamp  
 Wire release: with tool  
 Solder temperature: 270°C max.

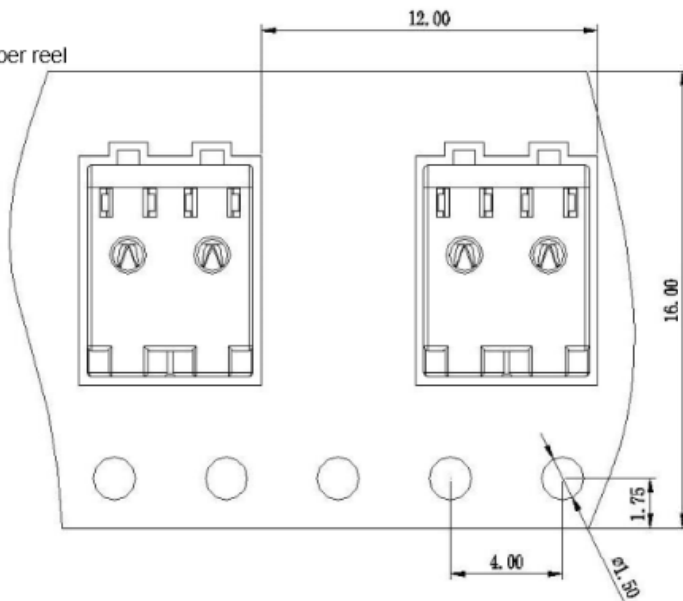
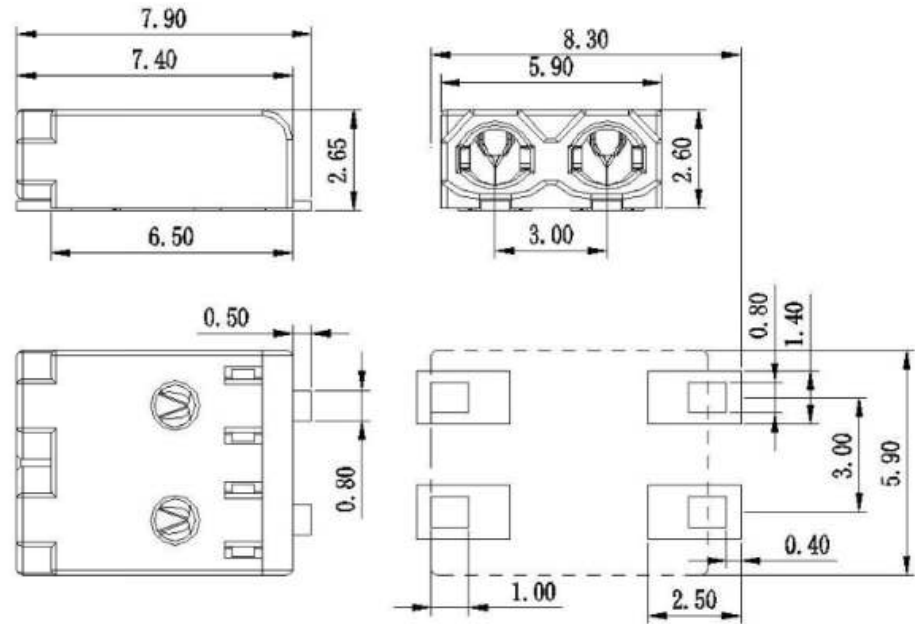
**ENVIRONMENTAL SPECIFICATIONS:**  
 Operating Temperature: -40°C ~ +105°C



**SAFETY AGENCY APPROVALS:**

STANDARDS: UL1977 / CSA-C22.2 No. 182.3

**PACKAGING:**  
 Tape & Reel; 1500 pcs per reel



REVISIONS	CHANGE	CHK	CHK	DR
	REV	DATE		

TOLERANCE UNLESS OTHERWISE SPECIFIED	
X	± 1
X.X	± 0.4
X.XX	± 0.13
DRAWN BY	PB
CHECK BY	
APPR BY	
DATE:	3/22/18
DATE:	
DATE:	

<b>Power Dynamics, Inc.</b>	
Phone: 973 560-0019 Whippany, New Jersey Fax: 973 560-0076	
PART: 3mm PITCH SMT MICRO TERMINAL BLOCK TWO POLE; FOR LED APPLICATIONS	
PART #: PD-LTB3-2P	
MC: B07A-2P	ALL DIMENSIONS FOR REFERENCE ONLY DIMENSIONS ARE IN MILLIMETERS
SCALE: NTS	REV:

SHEET  
1 of 1