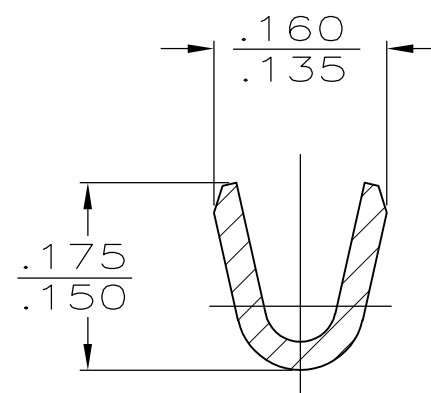
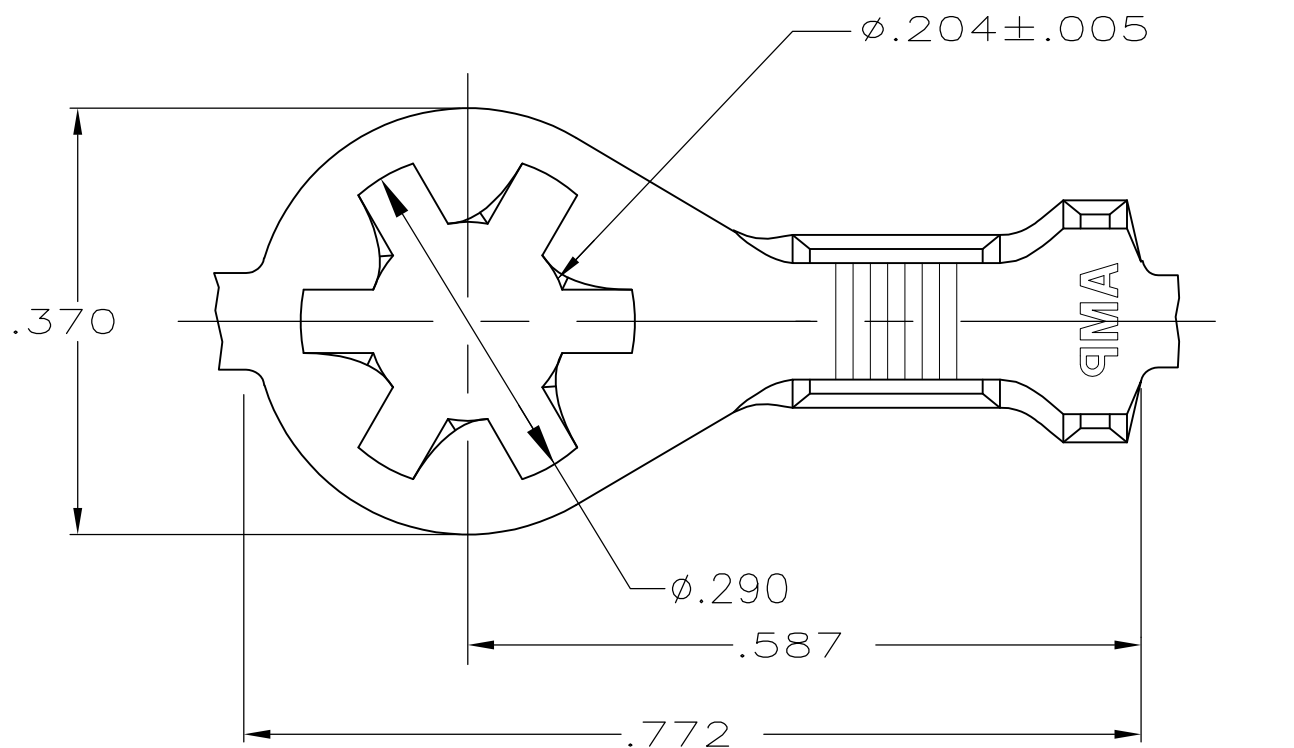


THIS DRAWING IS UNPUBLISHED. RELEASED FOR PUBLICATION

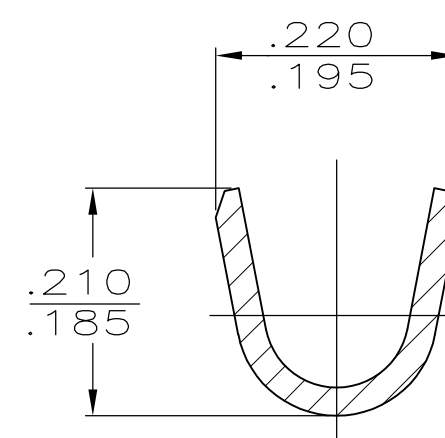
© COPYRIGHT BY TYCO ELECTRONICS CORPORATION. ALL RIGHTS RESERVED.

LOC	DIST	REVISIONS					
AF	50	P	LTR	DESCRIPTION	DATE	DWN	APVD
			D2	REVISED PER ECR-10-005263	10MAR10	HMR	PD

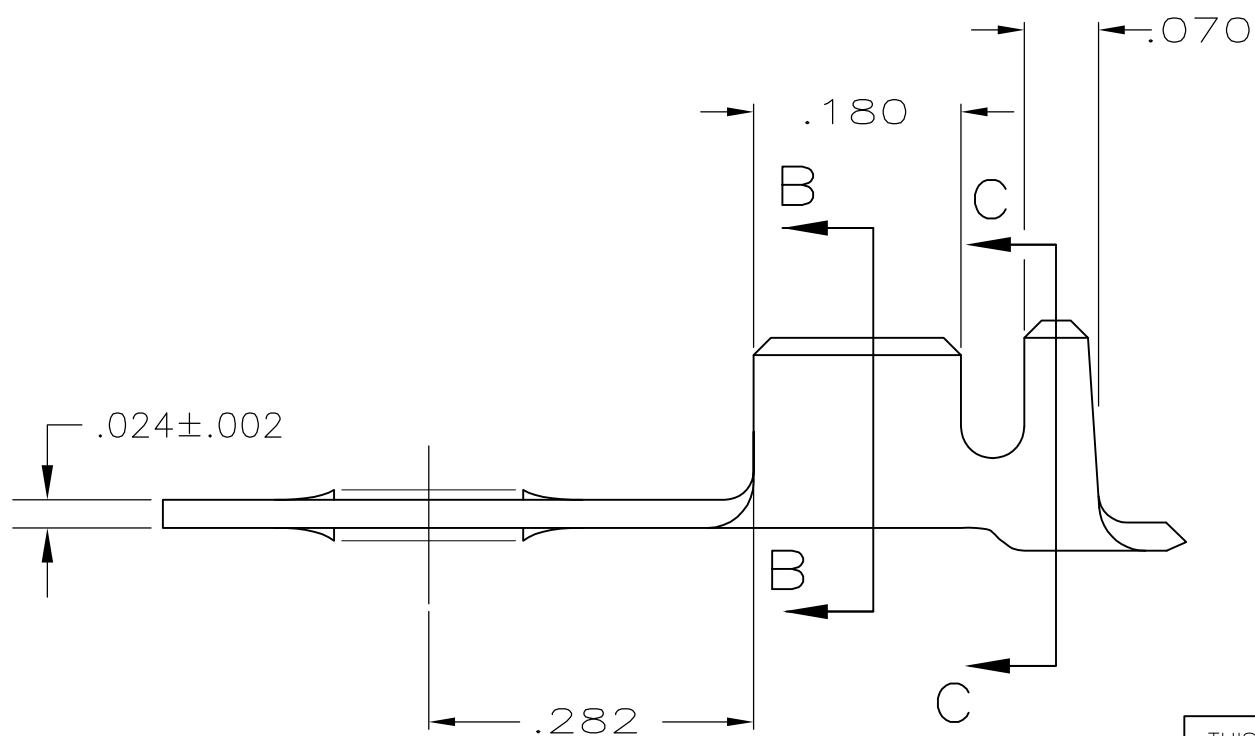
1 CONTINUOUS STRIP, ON REELS



SECTION B-B



SECTION C-C



.105 - .145	18 - 14	640052-1
INSULATION RANGE	WIRE RANGE	Part Number

THIS DRAWING IS A CONTROLLED DOCUMENT.		DWN RAGHAVENDRA 10APR08	Tyco Electronics Corporation Harrisburg, PA 17105-3608													
DIMENSIONS: INCHES		CHK D.F. DECKER 10APR08	NAME													
TOLERANCES UNLESS OTHERWISE SPECIFIED:		APVD D.F. DECKER 10APR08	RING													
<table border="1"> <tr><td>0 PLC</td><td>± -</td></tr> <tr><td>1 PLC</td><td>± -</td></tr> <tr><td>2 PLC</td><td>± -</td></tr> <tr><td>3 PLC</td><td>± .015</td></tr> <tr><td>4 PLC</td><td>± -</td></tr> <tr><td>ANGLES</td><td>± -</td></tr> </table>		0 PLC	± -	1 PLC	± -	2 PLC	± -	3 PLC	± .015	4 PLC	± -	ANGLES	± -	PRODUCT SPEC -	SIZE A3	CAGE CODE 00779
0 PLC	± -															
1 PLC	± -															
2 PLC	± -															
3 PLC	± .015															
4 PLC	± -															
ANGLES	± -															
MATERIAL STAINLESS STEEL	FINISH NONE	APPLICATION SPEC -	DRAWING NO C-640052	RESTRICTED TO -												
CUSTOMER DRAWING			SCALE 6:1	SHEET 1 OF 1												
			REV D2													