

1670144-2 ✓ ACTIVE

AMP | MCON Interconnection System

TE Internal #: 1670144-2

Automotive Terminals, Receptacle, Mating Tab Width 1.2 mm [.047 in], Tab Thickness .6 mm [.024 in], 20 – 18 AWG Wire Size, MCON Interconnection System

[View on TE.com >](#)



Terminals & Splices > Automotive Terminals > MCON Receptacle and Tab



Terminal Type: **Receptacle**

Mating Tab Width: **1.2 mm [.047 in]**

Mating Tab Thickness: **.6 mm [.024 in]**

Terminal Transmits: **0 – 24 A (Low Power)**

Wire Size: **20 – 18 AWG**

[All MCON Receptacle and Tab \(102\)](#)

## Features

### Product Type Features

Receptacle Style	180°
Sealable	No
Primary Locking Feature	Clean Body

### Contact Features

Contact Size	1.2mm
Contact Fabrication	Stamped & Formed
Typical Current Rating	11.75 A
Crimp Type	F-Crimp
Terminal Type	Receptacle
Mating Tab Width	1.2 mm[.047 in]
Mating Tab Thickness	.6 mm[.024 in]
Interface Plating	Gold (Au)

### Termination Features

Termination Method to Wire & Cable	Crimp
Product Terminates To	Wire

### Dimensions



Compatible Insulation Diameter Range	1.3 – 1.9 mm [.051 – .075 in]
Wire Size	.5 – .75 mm <sup>2</sup>
Wire Size Search	18 AWG, 19 AWG, 20 AWG

### Usage Conditions

Insulation Option	Uninsulated
Operating Temperature (Max)	80 °C, 85 °C, 90 °C, 100 °C, 105 °C, 110 °C, 120 °C, 125 °C, 130 °C, 140 °C, 145 °C, 150 °C [176 °F][185 °F][194 °F][212 °F][221 °F][230 °F][248 °F][257 °F][266 °F][284 °F][293 °F][302 °F]
Operating Temperature Range	-40 – 150 °C [-40 – 302 °F]

### Operation/Application

Compatible With Wire Base Material	Copper
------------------------------------	--------

### Packaging Features

Packaging Quantity	9000
Packaging Method	Reel

### Other

Terminal Transmits	0 – 24 A (Low Power)
--------------------	----------------------

## Product Compliance

[For compliance documentation, visit the product page on TE.com>](#)

EU RoHS Directive 2011/65/EU	Compliant
EU ELV Directive 2000/53/EC	Compliant
China RoHS 2 Directive MIIT Order No 32, 2016	No Restricted Materials Above Threshold
EU REACH Regulation (EC) No. 1907/2006	Current ECHA Candidate List: JUNE 2023 (235) Candidate List Declared Against: JUNE 2023 (235) Does not contain REACH SVHC
Halogen Content	Low Halogen - Br, Cl, F, I < 900 ppm per homogenous material. Also BFR/CFR/PVC Free
Solder Process Capability	Not applicable for solder process capability

#### Product Compliance Disclaimer

This information is provided based on reasonable inquiry of our suppliers and represents our current actual knowledge based on the information they provided. This information is subject to change. The part numbers that TE has identified as EU RoHS compliant have a maximum concentration of 0.1% by weight in homogenous materials for lead, hexavalent

chromium, mercury, PBB, PBDE, DBP, BBP, DEHP, DIBP, and 0.01% for cadmium, or qualify for an exemption to these limits as defined in the Annexes of Directive 2011/65/EU (RoHS2). Finished electrical and electronic equipment products will be CE marked as required by Directive 2011/65/EU. Components may not be CE marked. Additionally, the part numbers that TE has identified as EU ELV compliant have a maximum concentration of 0.1% by weight in homogenous materials for lead, hexavalent chromium, and mercury, and 0.01% for cadmium, or qualify for an exemption to these limits as defined in the Annexes of Directive 2000/53/EC (ELV). Regarding the REACH Regulation, the information TE provides on SVHC in articles for this part number is based on the latest European Chemicals Agency (ECHA) 'Guidance on requirements for substances in articles' posted at this URL: <https://echa.europa.eu/guidance-documents/guidance-on-reach>

## Compatible Parts



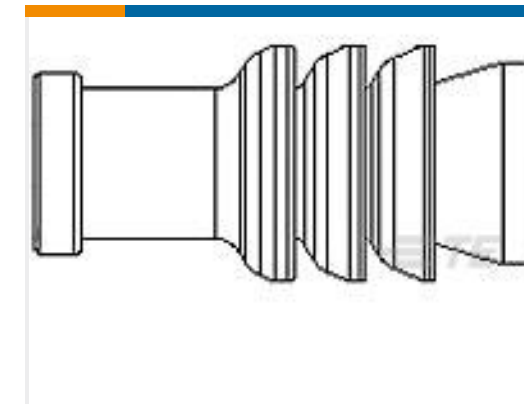
TE Part # 1579007-8  
EXTRACTION TOOL



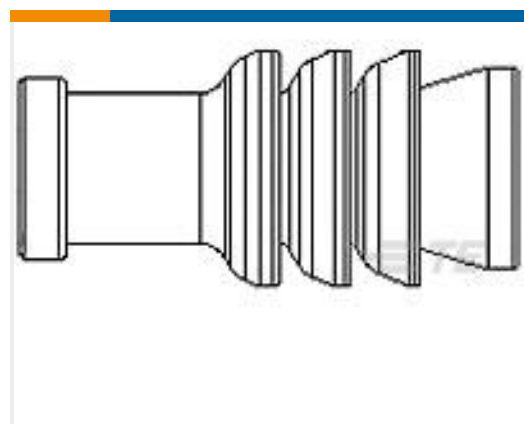
TE Part # 2289523-1  
2POS, MCON 1.2 CB REC 2p TL UNSEALED



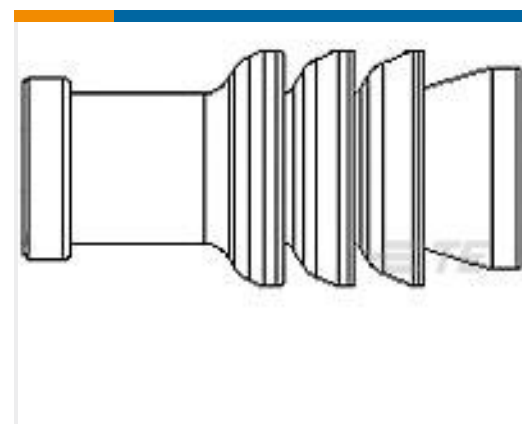
TE Part # 964972-1  
EINZELLEITERDICHTNG



TE Part # 967056-1  
MQS BLINDSTOPFEN4MM



TE Part # 967067-1  
MQS SGL WIRE SEAL



TE Part # 967067-2  
MQS EINZELLEITDICHT



TE Part # 2305570-1  
Strip Terminal Cutter-Side Feed-No Crimp



TE Part # 1718350-2  
MCON 1.2 CB TAB STC AU



TE Part # 1-2137336-1  
36 POS PLUG ASSEMBLY



TE Part # CAT-H3399-CH8172  
Heavy Duty Sealed Connector Series Housings



TE Part # 1-1579007-0  
EXTRACTION TOOL



TE Part # 9-1563173-9  
96POS, MCON-1.2 CB, REC HSG, ASSY



TE Part # 2278584-1  
67 POS, MIXED, REC HSG, ASSY, SEALED TYPE180



TE Part # 9-1452423-9  
96 POS. CONNECTOR ASSY



TE Part # 9-1452415-9  
58 POS CONNECTOR ASSY F. CONNECTOR154 POS



TE Part # 2272975-1  
6 Pos. Sealed MCON 1.2 Connect





TE Part # 9-1563172-9  
58POS, MIXED, REC HSG, ASSY



TE Part # 1-2208720-1  
105POS, MCON 1.2 CB, REC HSG, ASSY, SLD

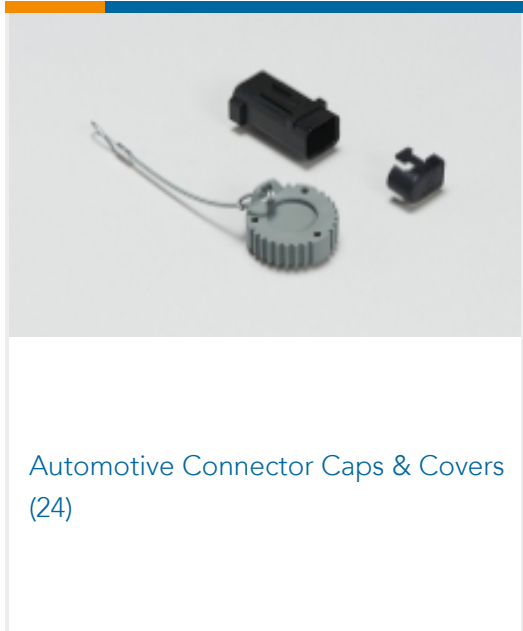


TE Part # 1-2316374-1  
48POS, MCON 1.2, REC HSG ASSY, SLD, COD NEUT

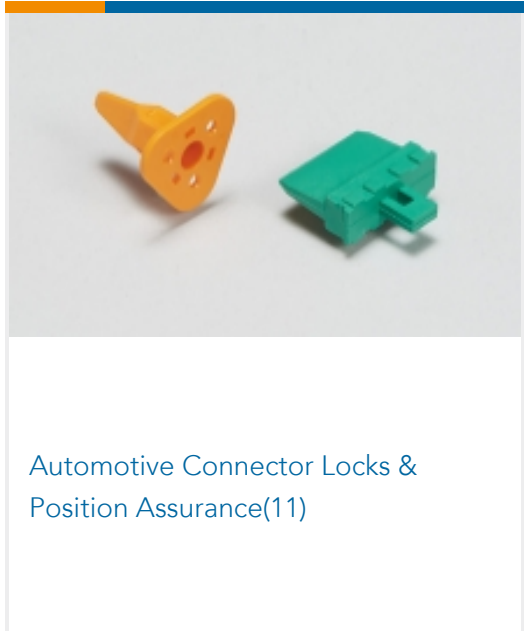


TE Part # 1-2316374-2  
48POS, MCON 1.2, REC HSG ASSY, SLD, COD NEUT

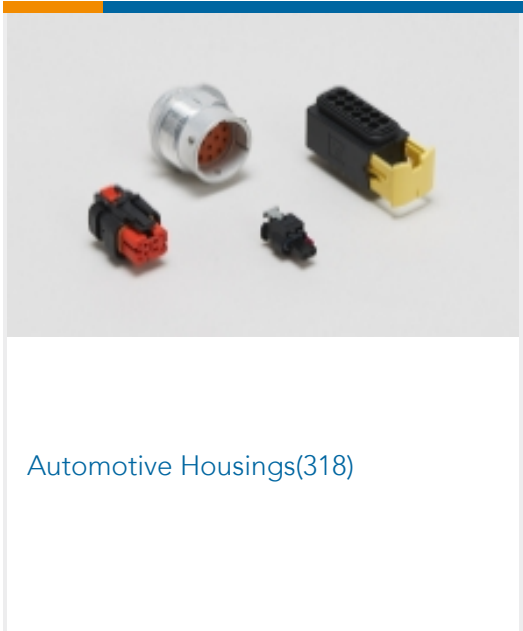
## Also in the Series | MCON Interconnection System



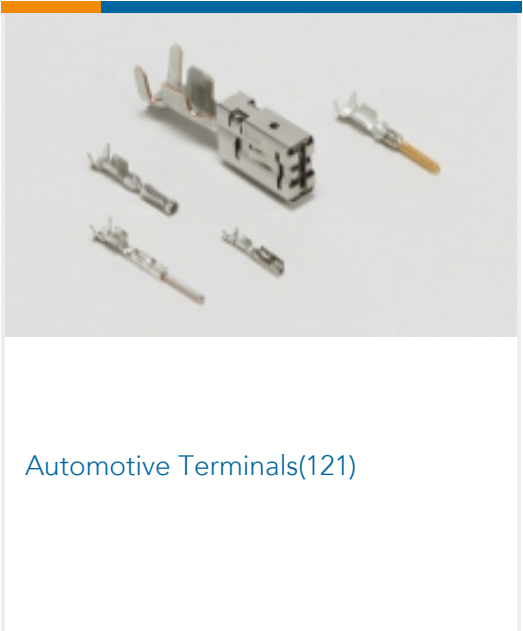
Automotive Connector Caps & Covers (24)



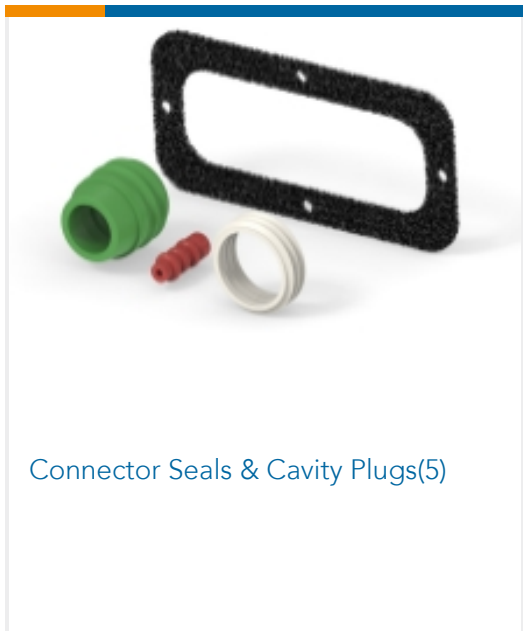
Automotive Connector Locks & Position Assurance (11)



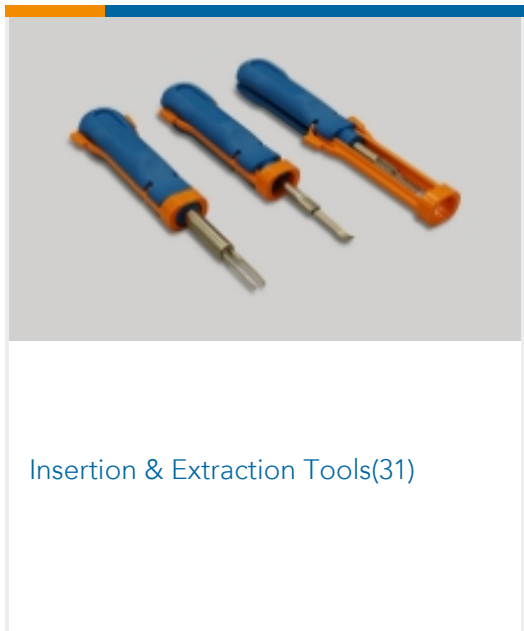
Automotive Housings (318)



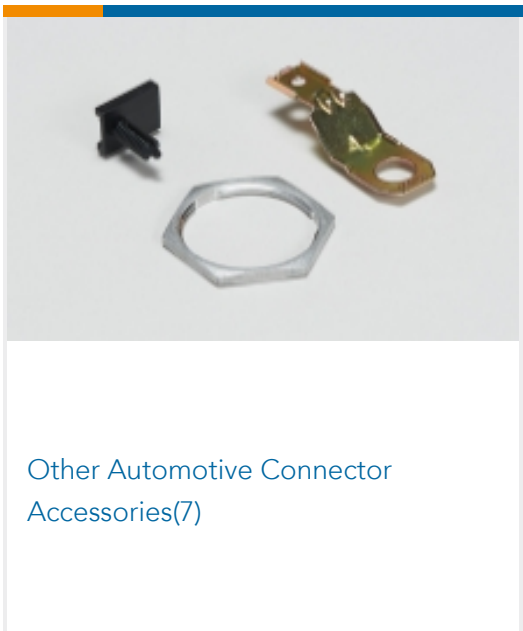
Automotive Terminals (121)



Connector Seals & Cavity Plugs (5)



Insertion & Extraction Tools (31)



Other Automotive Connector Accessories (7)



PCB Headers & Receptacles (1)

## Customers Also Bought



TE Part # 2098407-1  
1X8 FEMALE ASSY YELLOW KEY B



TE Part # 1534594-2  
MCON 1.2 CB REC SRC AU



TE Part # 2309644-4  
30P NANOMQS/US050 LL CONN, W /CPA, KEY D



TE Part # 1924393-1  
14P MCON 1.2 SCCM Outer Housing



TE Part # 1924396-1  
14P MCON 1.2 SCCM Inner Housing



TE Part # 1456985-4  
1X6 Fem unsealed LP assy Key C w /CPA



TE Part # 1-2383941-2  
TERMI-BLOK SMD MOUNT 180\_12P\_3.81 MM 7A



TE Part # 2304518-1  
MCON 1.2CB SEAL CAVITY PLUG, EXTRA LONG



TE Part #0021036002  
RBK-ILS-125-NR3-0-50MM

## Documents

### Product Drawings

[MCON 1.2 CB REC SRC AU](#)

German

[MCON 1.2 CB REC SRC AU](#)

English

### CAD Files

Customer View Model

[ENG\\_CVM\\_1670144-2\\_F2.3d\\_igs.zip](#)

English

Customer View Model

[ENG\\_CVM\\_1670144-2\\_F2.3d\\_stp.zip](#)

English

Customer View Model

[ENG\\_CVM\\_1670144-2\\_F2.2d\\_dxf.zip](#)

English

[3D PDF](#)

English

By downloading the CAD file I accept and agree to the [Terms and Conditions](#) of use.

### Datasheets & Catalog Pages

[MCON Interconnection System](#)

English

[CONNECTIVITY SOLUTIONS FOR INFOTAINMENT APPLICATIONS](#)

English

### Product Specifications

[Application Specification](#)

English

[Application Specification](#)

English