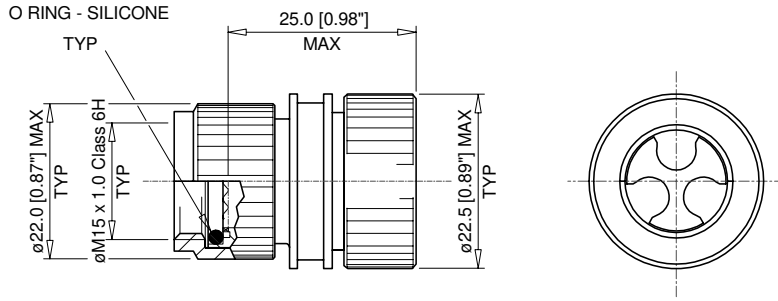
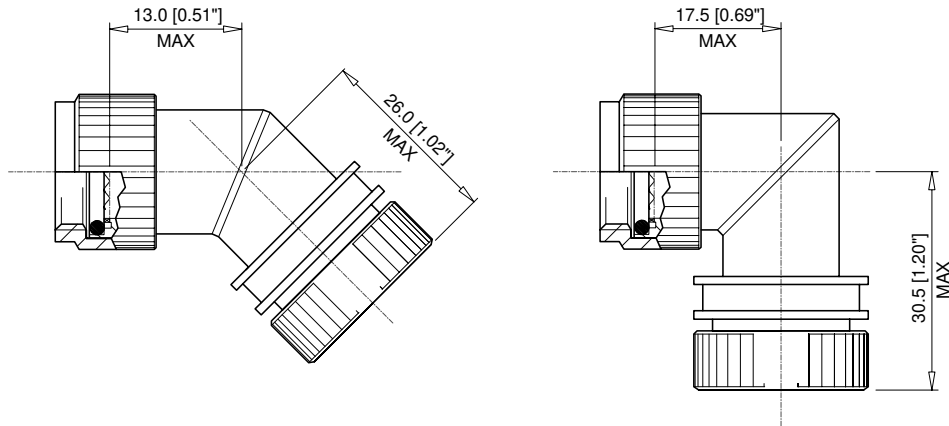
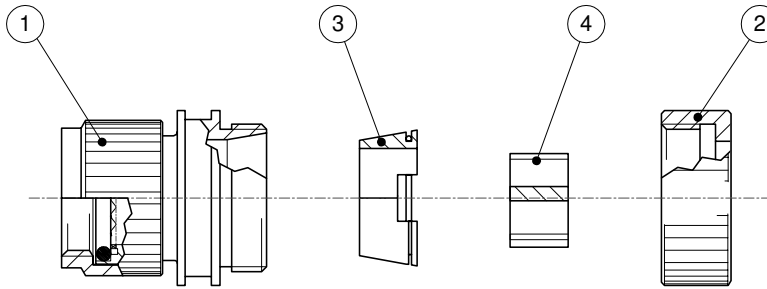


SPECIFICATION CONTROL DRAWING

REV: A	DCR # D070020	DATE: FEB 28, 2007
-----------	------------------	-----------------------



STRAIGHT ADAPTOR
-00



45° ADAPTOR
-45

90° ADAPTOR
-90

© 2007 Tyco Electronics Corporation. All rights reserved

<div style="display: inline-block; vertical-align: middle; margin-left: 10px;"> <p>Raychem Wire and Harnessing Products 300 Constitution Drive Menlo Park, CA 94025, USA</p> </div>		<p>TITLE: HEXASHIELD ADAPTOR FOR CODE 40 CONNECTOR O/NO B 11 ENTRY SIZE A3 PLAIN CLAMPING NUT</p>			
<p>UNLESS OTHERWISE SPECIFIED DIMENSIONS ARE IN MILLIMETERS. INCH DIMENSIONS ARE SHOWN IN BRACKETS</p>		<p>DOCUMENT NO. HEX40-AY-YY-11-A3-1</p>			
DRAWN: IRT	DATE: AUG 2003	DCR#: D070020	FILE: 87002/11-A3	SCALE: NONE	SHEET: 1 OF 3

If this document is printed it becomes uncontrolled. Check for the latest revision.

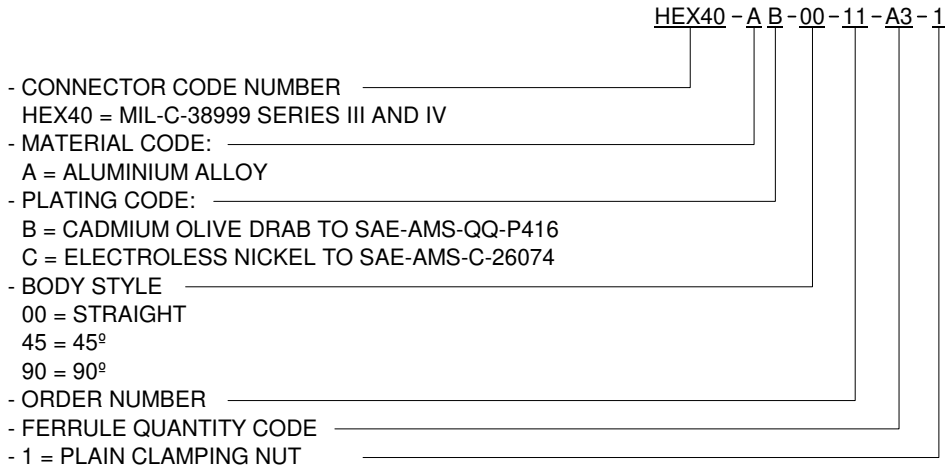
SPECIFICATION CONTROL DRAWING

REV: A	DCR # D070020	DATE: FEB 28, 2007
-----------	------------------	-----------------------

KIT DESCRIPTION

ITEM	DESCRIPTION	MATERIAL
1	BODY ASSEMBLY	ALUMINIUM ALLOY
2	CLAMPING NUT - PLAIN	ALUMINIUM ALLOY
3	CONIC RING	ALUMINIUM ALLOY
4	STAR - PLAIN	ALUMINIUM ALLOY

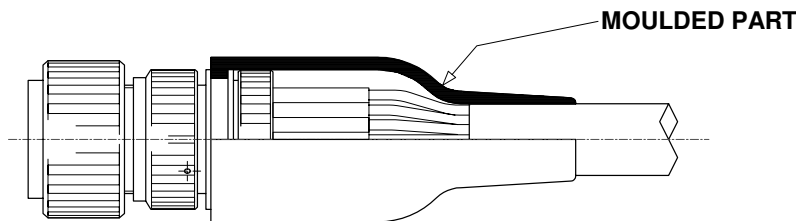
PART NUMBERING



APPLICATION

- These adaptors are designed to be mounted on the following connectors:

MIL-C-38999 Series III and IV Shell Size B (11)
- They are qualified to the Raychem specification RB-114, when installed on metallic Mil-Specification circular connectors only.
- They are designed primarily for open wire bundle installation but are also designed to accept Raychem heat shrink moulded parts where strain relief is required – see illustration.



- Use in conjunction with ferrules HET-A-0XX, which are purchased separately. Refer to HET-A-0XX S.C.D. for relevant selection details.

<div style="display: inline-block; vertical-align: middle; margin-left: 10px;"> <p>Raychem Wire and Harnessing Products 300 Constitution Drive Menlo Park, CA 94025, USA</p> </div>		<p>TITLE: HEXASHIELD ADAPTOR FOR CODE 40 CONNECTOR O/NO B 11 ENTRY SIZE A3 PLAIN CLAMPING NUT</p>			
<p>UNLESS OTHERWISE SPECIFIED DIMENSIONS ARE IN MILLIMETERS. INCH DIMENSIONS ARE SHOWN IN BRACKETS</p>		<p>DOCUMENT NO. HEX40-AY-YY-11-A3-1</p>			
DRAWN: IRT	DATE: AUG 2003	DCR#: D070020	FILE: 87002/11-A3	SCALE: NONE	SHEET: 2 OF 3

SPECIFICATION CONTROL DRAWING

REV: A	DCR # D070020	DATE: FEB 28, 2007
-----------	------------------	-----------------------

INSTALLATION


- See Installation Procedure RPIP-696-04 (straight bodies) or RPIP-696-07 (45° and 90° bodies) for assembly.
- See Installation Procedure RPIP-696-00 for shield termination.

PACKAGING

- All components are supplied in a plastic bag.

NOTES!

1. Assembly is to be permanently marked with Code Identity Number and Part Number.
(e.g. 06090 HEX40-AB-00-11-A3-1)

 Raychem Wire and Harnessing Products 300 Constitution Drive Menlo Park, CA 94025, USA		TITLE: HEXASHIELD ADAPTOR FOR CODE 40 CONNECTOR O/NO B 11 ENTRY SIZE A3 PLAIN CLAMPING NUT			
UNLESS OTHERWISE SPECIFIED DIMENSIONS ARE IN MILLIMETERS. INCH DIMENSIONS ARE SHOWN IN BRACKETS		DOCUMENT NO. HEX40-AY-YY-11-A3-1			
DRAWN: IRT	DATE: AUG 2003	DCR#: D070020	FILE: 87002/11-A3	SCALE: NONE	SHEET: 3 OF 3

If this document is printed it becomes uncontrolled. Check for the latest revision.