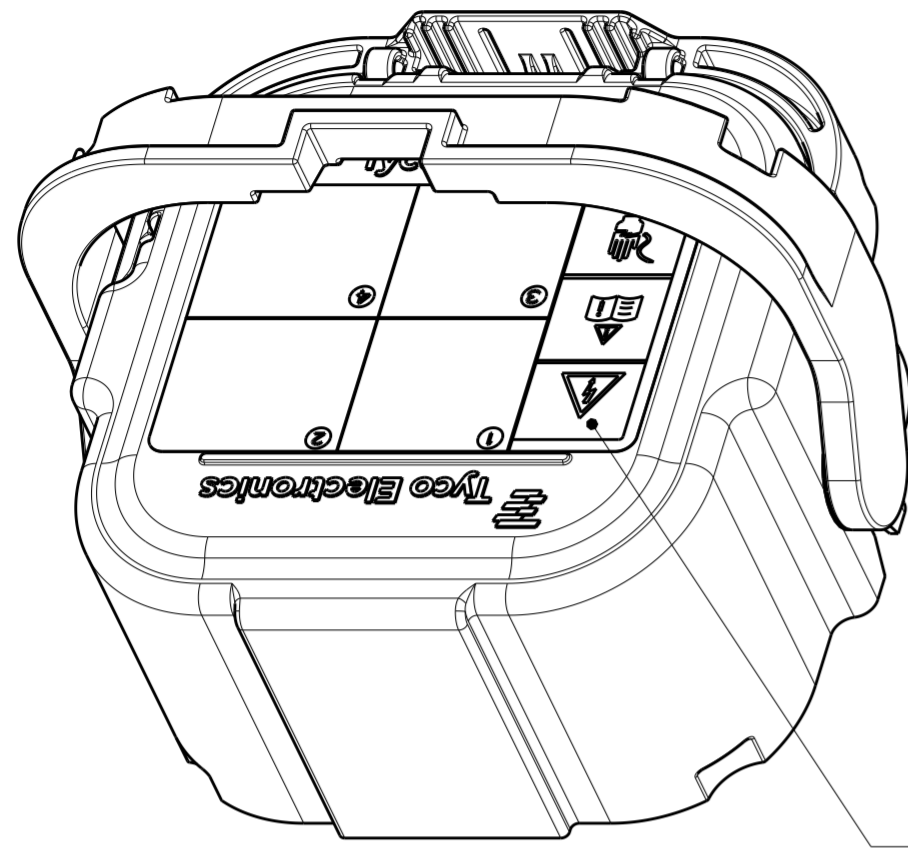


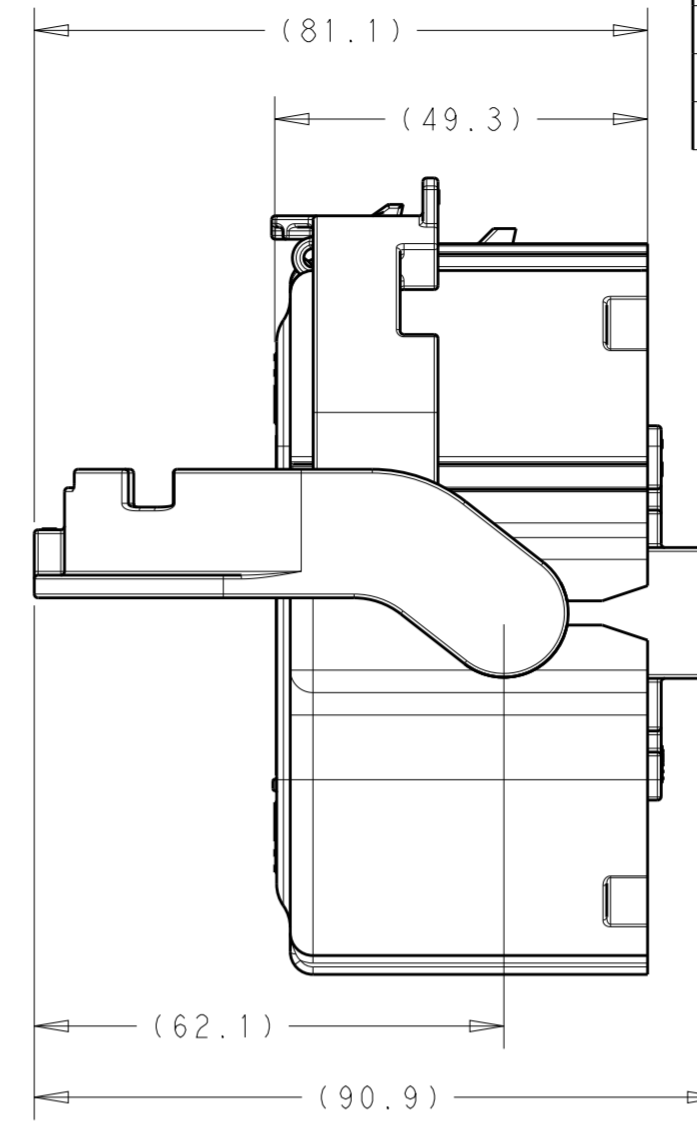
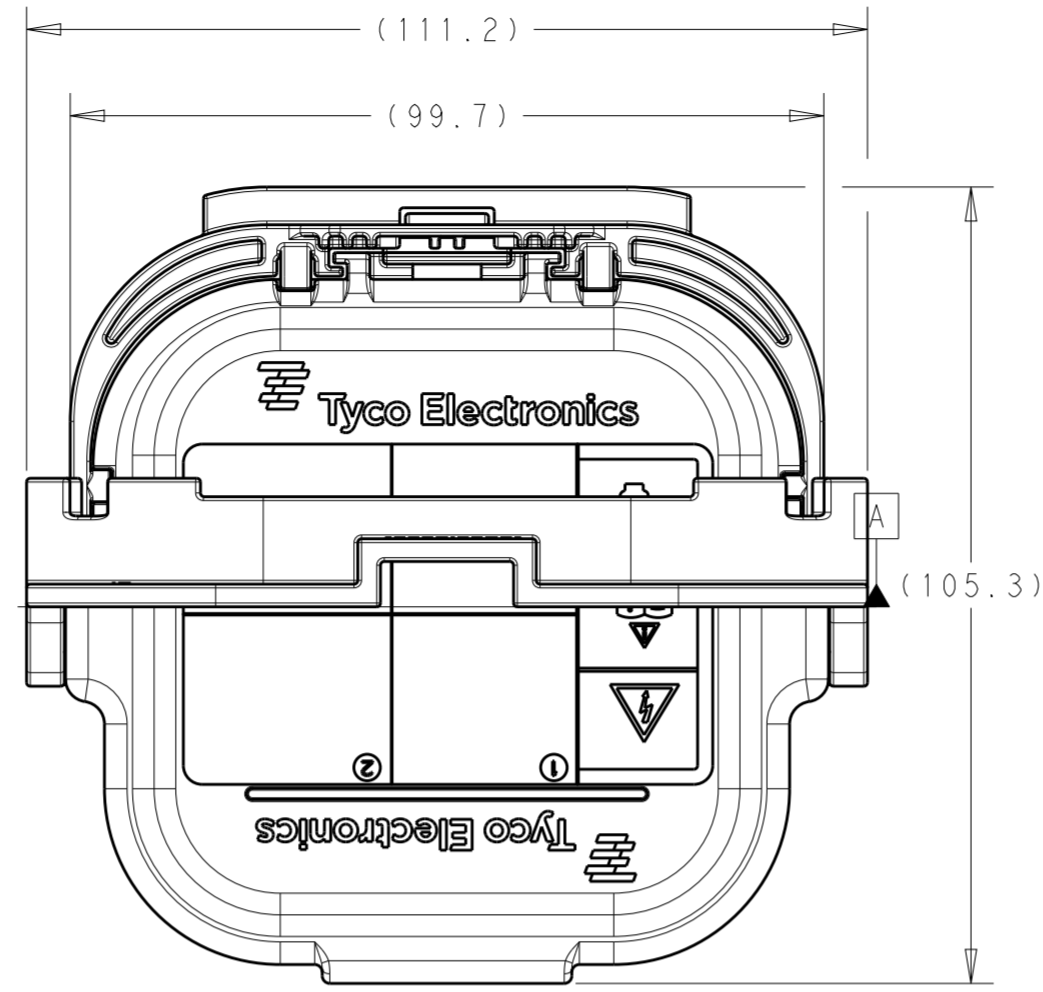
THIS DRAWING IS UNPUBLISHED. RELEASED FOR PUBLICATION. ALL RIGHTS RESERVED.

REVISIONS				
P	LTR	DESCRIPTION	DATE	APVD
A		RELEASED	21NOV2017	J.G Z.L
C		REV PER ECO-20-015369	05NOV2020	V.W M.Q

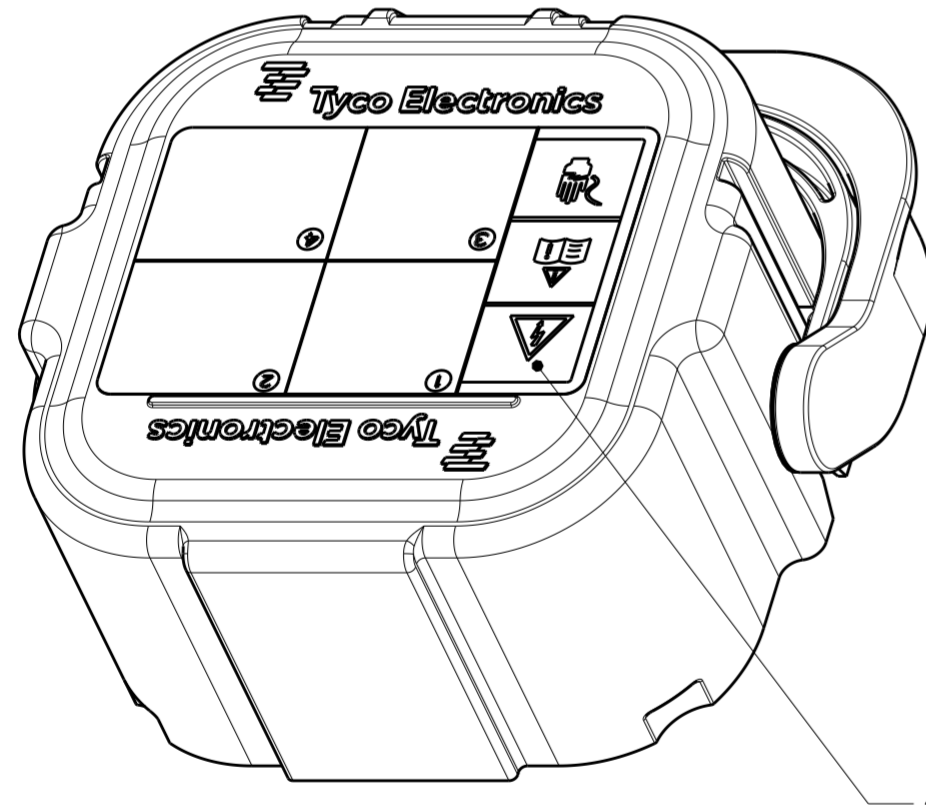
LEVER IN PRE-STAGE POSITION



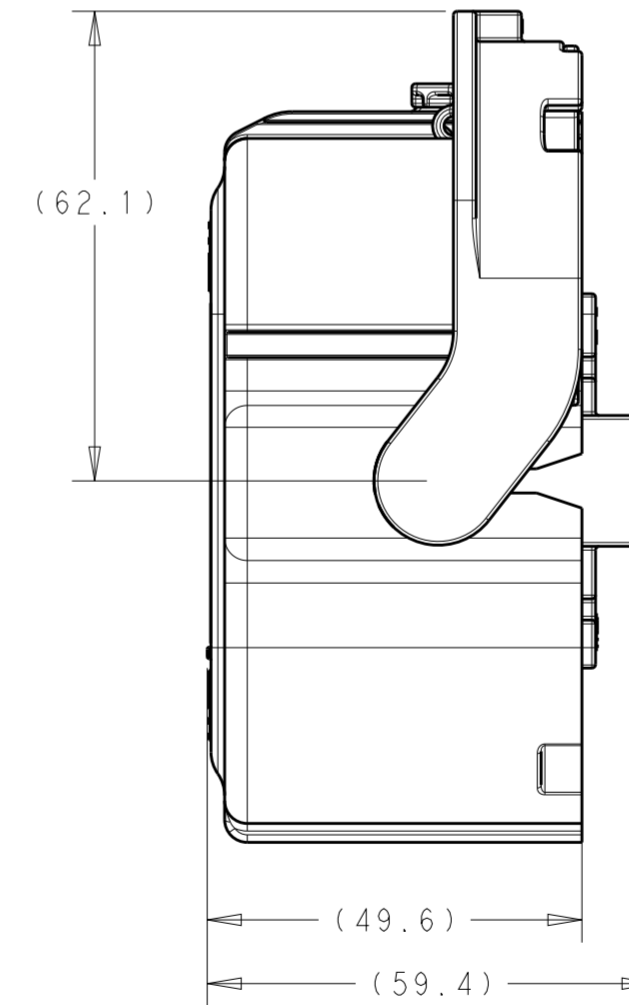
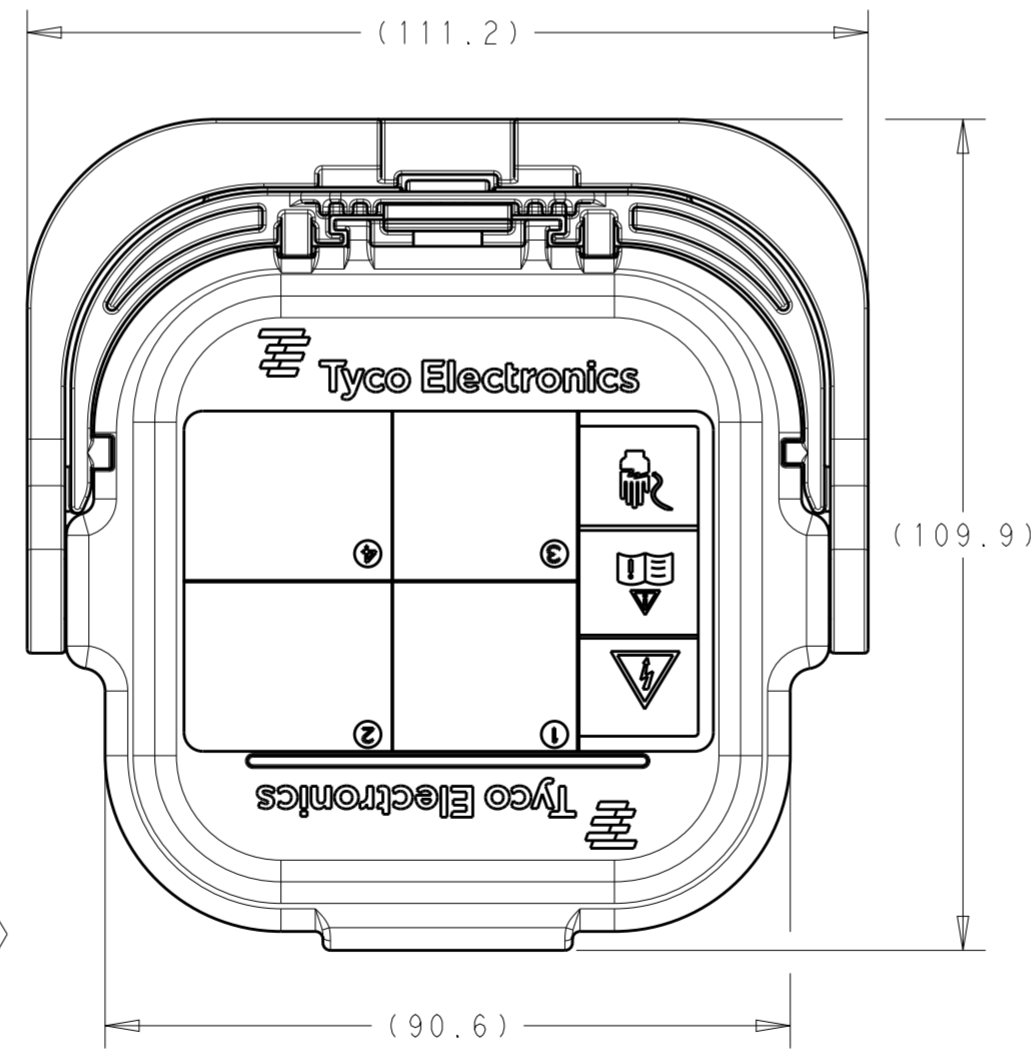
ISOMETRIC VIEW SCALE 1:1



LEVER IN LOCKED POSITION



ISOMETRIC VIEW SCALE 1:1



REMARK	FUSE RATING	PART WEIGHT	PART NUMBER
3	SHUNT	272 (g)	2315856-7
	630A	554 (g)	1-2315856-6
	500A		1-2315856-5
	450A		1-2315856-4
	350A		1-2315856-1
	250A		1-2315856-2
200A	1-2315856-1		
4	630A	547 (g)	2315856-6
	500A		2315856-5
	450A		2315856-4
	350A		2315856-3
	250A		2315856-2
	200A		2315856-1

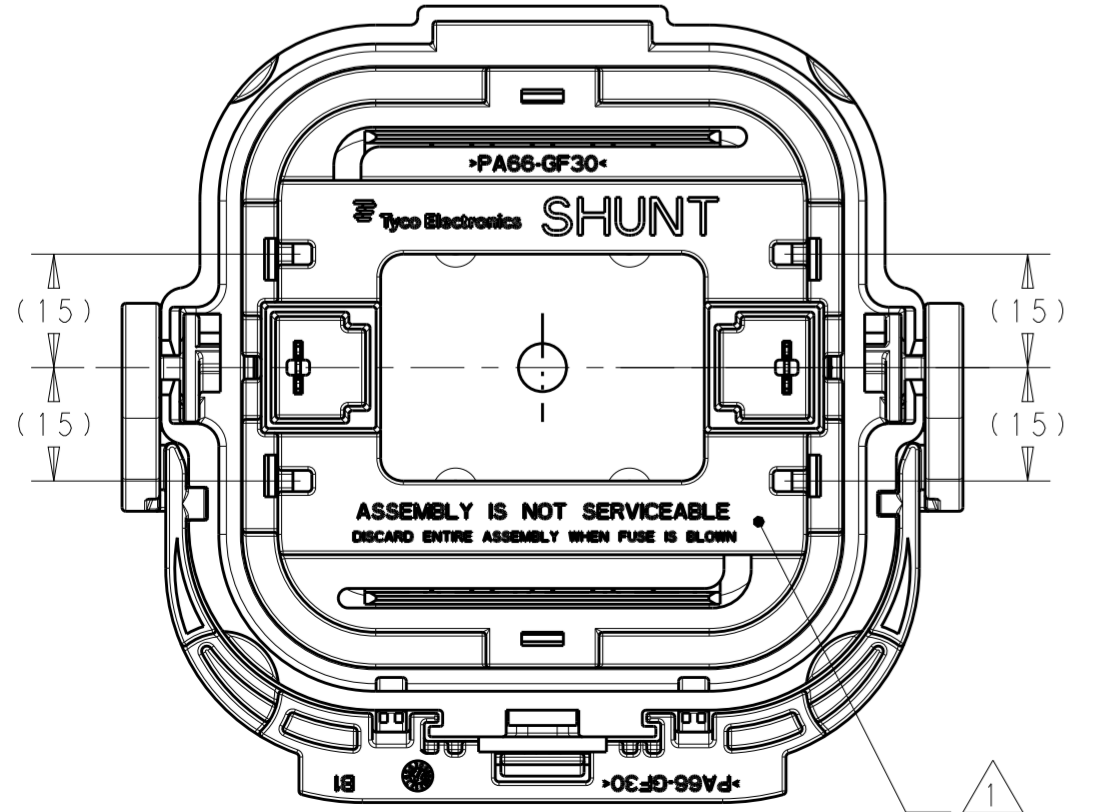
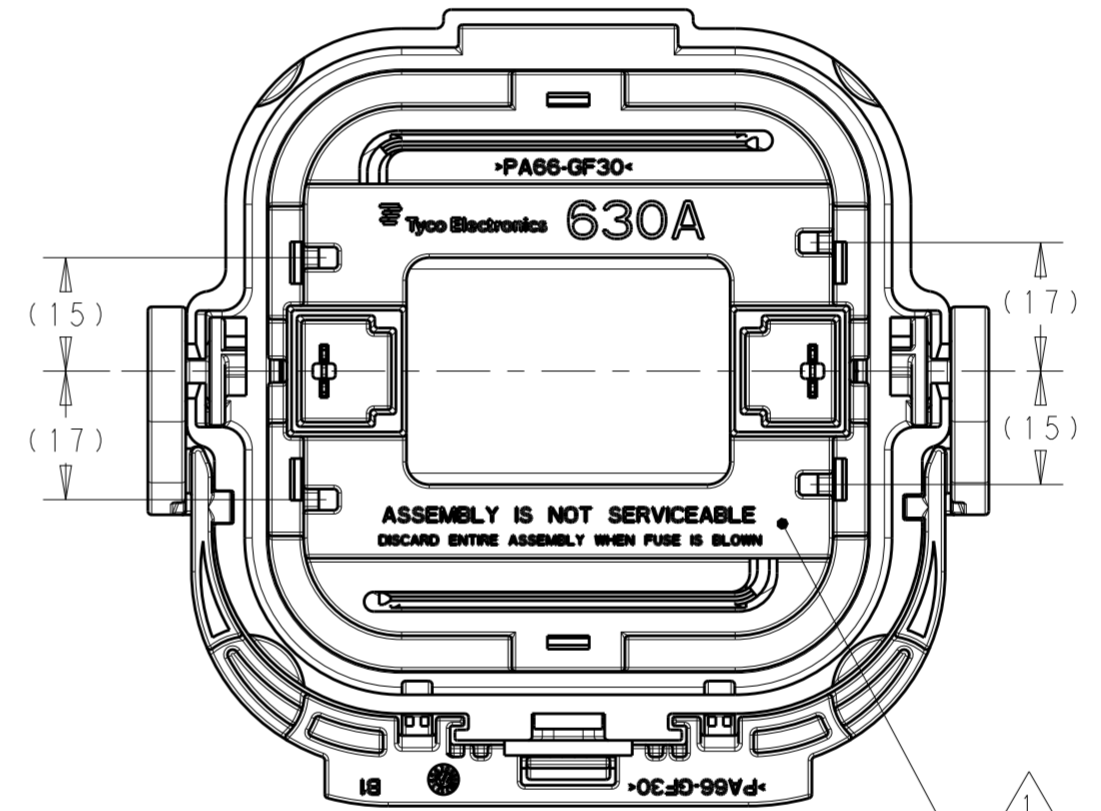
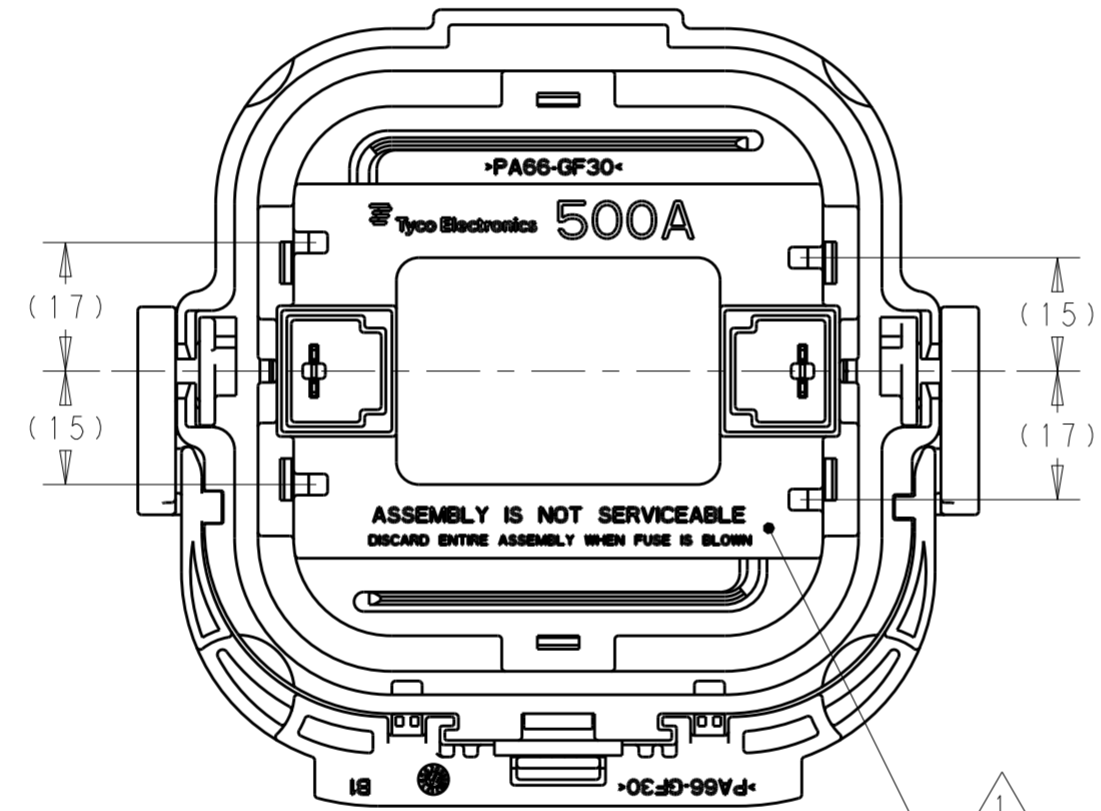
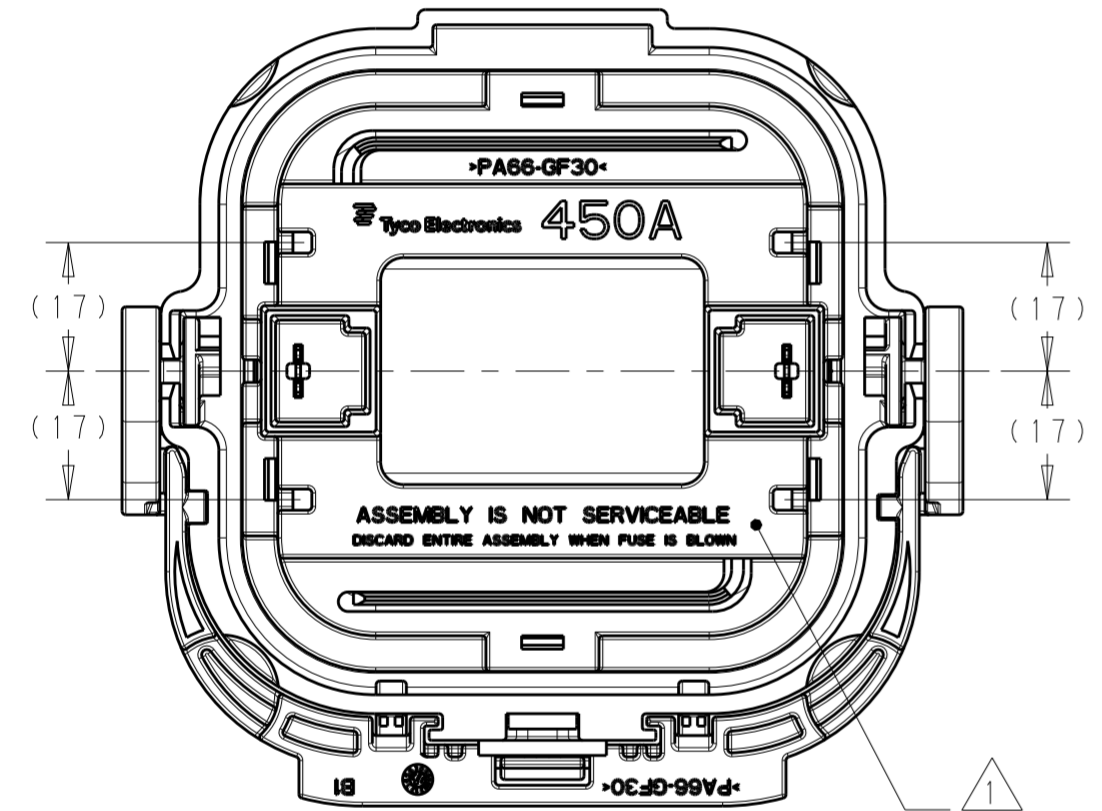
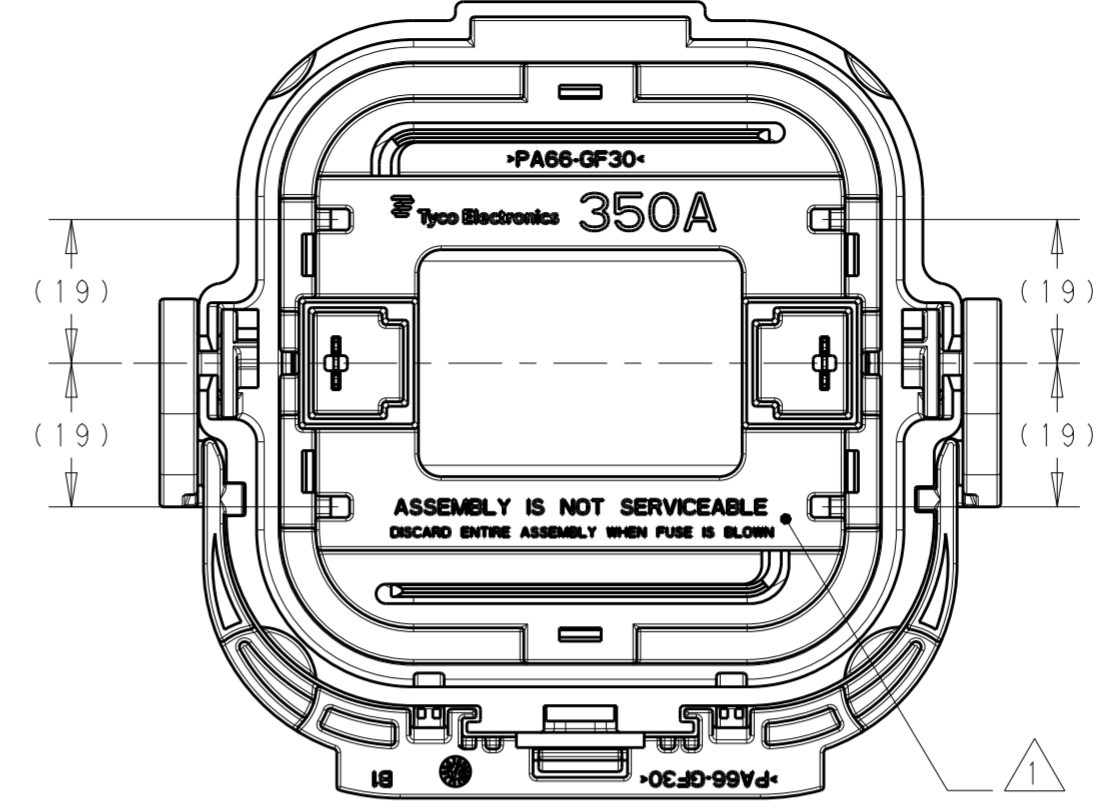
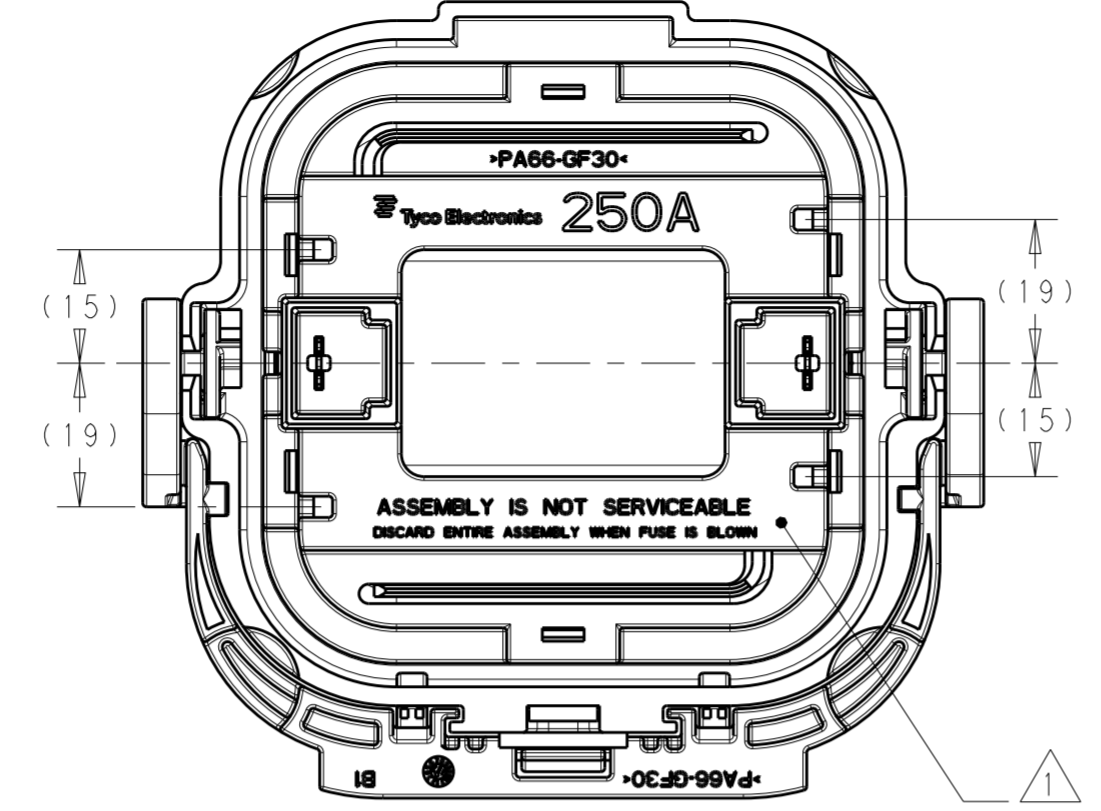
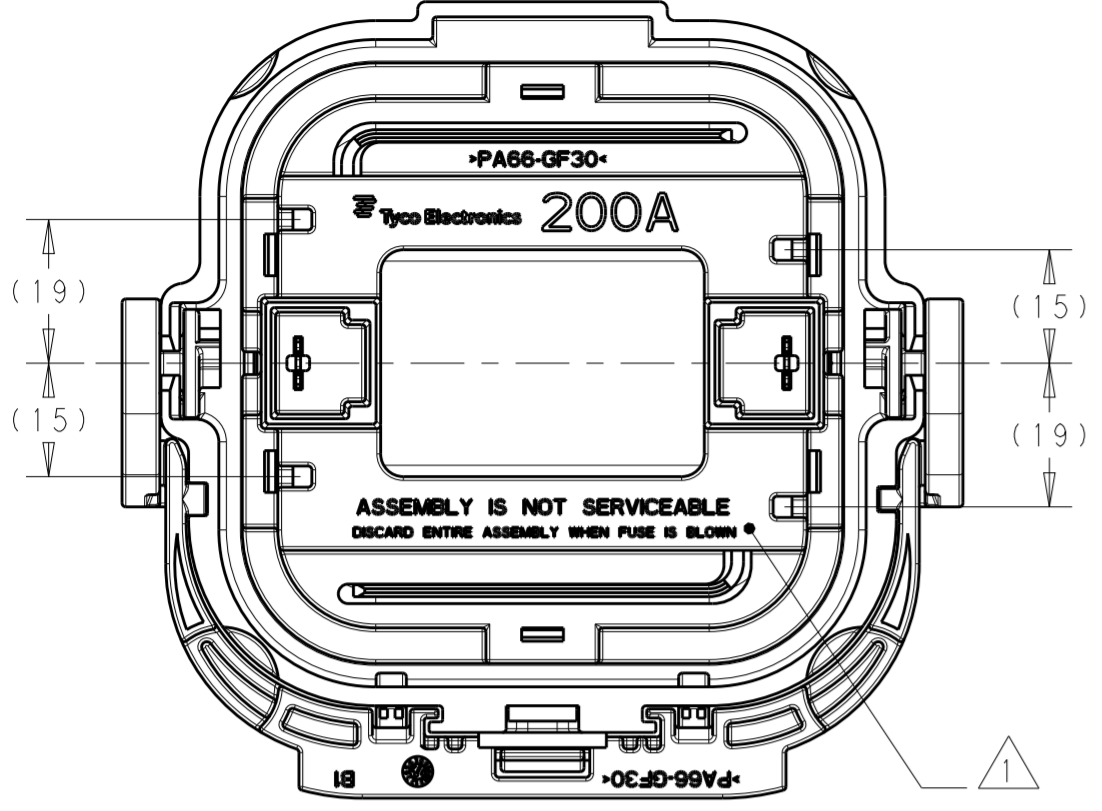
NOTES:

- 1 INNER HOUSING MAY BE ASSEMBLED ROTATED 180° FROM AS SHOWN
- 2 ASSEMBLY / WORK INSTRUCTIONS: 408-101003
- 3 FUSE SUPPLIER: SINOFUSE
- 4 FUSE SUPPLIER: BUSSMANN
- 5 SEE SHEET 2 FOR FUSE RATING MARKINGS AND KEYING CONFIGURATIONS
- 6 IMAGE FOR REFERENCE ONLY, SHOWS ORIENTAION

THIS DRAWING IS A CONTROLLED DOCUMENT.		DWN J.G 21NOV2017	STE TE Connectivity	
DIMENSIONS: mm		CHK XX.L 21NOV2017		
TOLERANCES UNLESS OTHERWISE SPECIFIED:		APVD ZF.L 21NOV2017	NAME MSD, PLUG HSG ASSY, V0 MANUAL SERVICE DISCONNECT	
0 PLC ±		PRODUCT SPEC 108-101601	SIZE A2	
1 PLC ±		APPLICATION SPEC	CAGE CODE C-2315856	
2 PLC ±		WEIGHT SEE TABLE	DRAWING NO C-2315856	
3 PLC ±		CUSTOMER DRAWING	RESTRICTED TO	
4 PLC ±		SCALE 1:1	SHEET 1 OF 2	
ANGLES ±			REV C	
FINISH				

THIS DRAWING IS UNPUBLISHED. RELEASED FOR PUBLICATION
 © COPYRIGHT copyright.d8te- ALL RIGHTS RESERVED.

REVISIONS				
P	LTR	DESCRIPTION	DATE	APVD
SEE SHEET 1				



THIS DRAWING IS A CONTROLLED DOCUMENT.		DWN J.G	21NOV2017	STE TE Connectivity
DIMENSIONS: mm		CHK XX.L	21NOV2017	
TOLERANCES UNLESS OTHERWISE SPECIFIED:		APVD ZF.L	21NOV2017	
0 PLC ± 1 PLC ± 2 PLC ± 3 PLC ± 4 PLC ± ANGLES ±		PRODUCT SPEC 108-101601	NAME MSD, PLUG HSG ASSY, V0 MANUAL SERVICE DISCONNECT	
MATERIAL		FINISH	WEIGHT SEE TABLE	SIZE A2
			CUSTOMER DRAWING	CAGE CODE C-2315856
				DRAWING NO C-2315856
				RESTRICTED TO
				SCALE 1:1 SHEET 2 OF 2 REV C