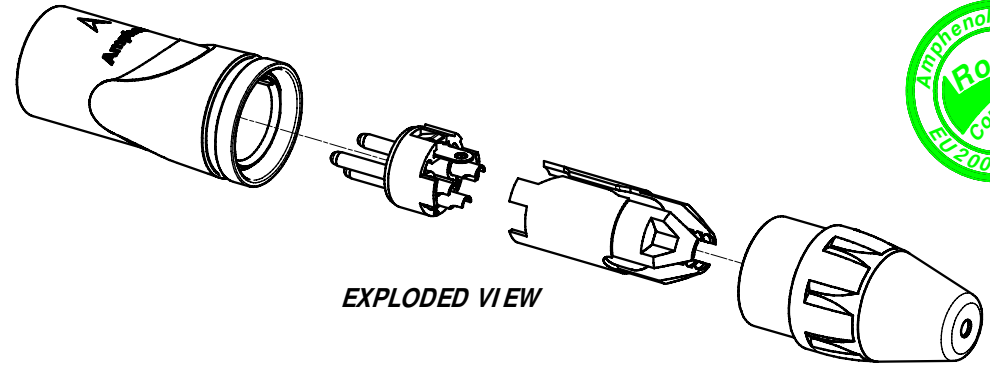
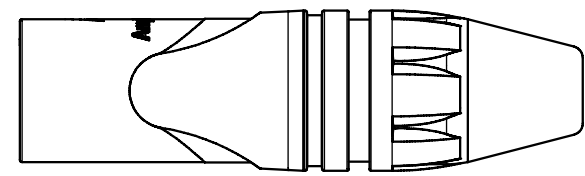
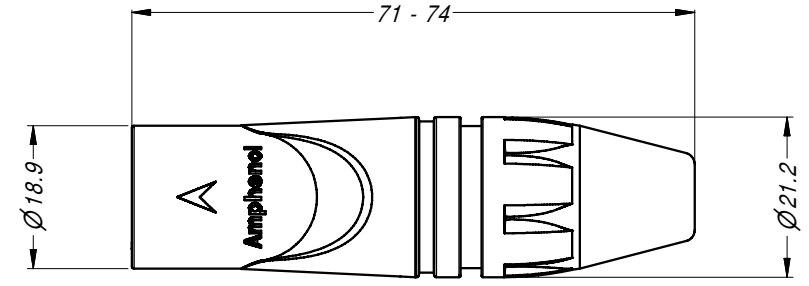
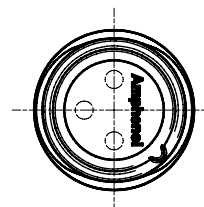


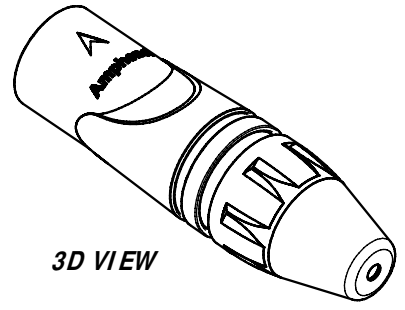
**PART NUMBER BREAKDOWN**

***AX3MB1-AU BULK***

<p><b>SERIES PREFIX</b>                  AX3M = 3 PIN MALE                  AX4M = 4 PIN MALE                  AX5M = 5 PIN MALE</p>
<p><b>SHELL FINISH</b>                  BLANK = NICKEL PLATED                  B = BLACK</p>
<p><b>SLEEVE COLOR</b>                  BLANK = BLACK                  1 = BROWN                  2 = RED                  3 = ORANGE                  4 = YELLOW                  5 = GREEN                  6 = BLUE                  7 = VIOLET                  8 = GREY                  9 = WHITE                  C = CLEAR</p>
<p><b>CONTACT PLATING</b>                  BLANK = SILVER PLATE                  AU = GOLD PLATE</p>
<p><b>PACKAGING</b>                  BLANK = INDIVIDUAL BAGS                  BULK = BULK PACKED</p>



**EXPLODED VIEW**



**3D VIEW**

UNLESS OTHERWISE SPECIFIED TOLERANCE TO BE		THIS DOCUMENT IS THE PROPERTY OF AMPHENOL AUSTRALIA PTY. LTD. NO PART THEREOF MAY BE REPRODUCED AND USED WITHOUT THE PRIOR WRITTEN CONSENT OF THE OWNER				<b>Amphenol</b> Amphenol Australia Pty.Ltd, 2 Fiveways Blvd, Keysborough, VIC 3173	
LINER	ANGULAR	MATERIAL: <b>SEE COMPONENTS</b>		DRN: T.N	DATE: 24/06/08	TITLE: <b>XLR MALE PLUG AX SERIES CUSTOMER DRAWING</b>	
X ± 0.5	X° ± 1	DO NOT SCALE		CKD: P.M	DATE: 22/12/08	PART No: <b>SEE P/ No BREAKDOWN</b>	
X.X ± 0.1	X.X° ± 30°	FINISH:		APP'D: P.M	DATE: 22/12/08	DRAWING NO. SHEET	
X.XX ± 0.05	X.XX° ± 15°	DIMENSIONS IN MILLIMETRES		SCALE: <b>1:1</b>	SIZE: <b>A4</b>	CAD FILE: 55010534000210	
BREAK ALL SHARP EDGES AND REMOVE ALL BURRS		THIRD ANGLE PROJECTION		SCALE: <b>1:1</b>		55010534-000-2 2/2	