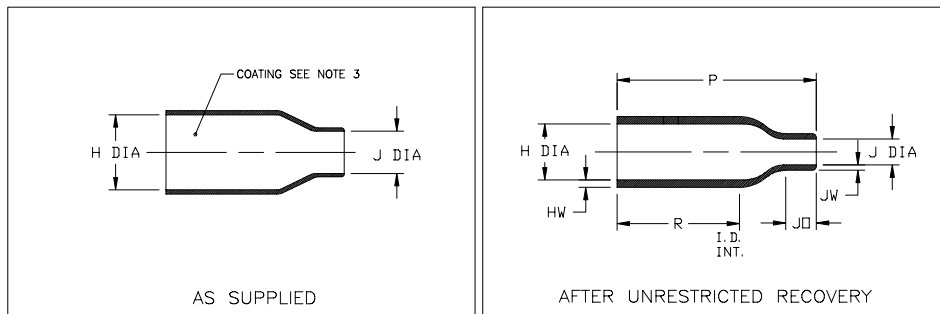


Molded Parts Specification Control Drawing

Part Number : 208A0XX-X-05
Description : Boot, Straight, Heavy Wall

NOTES

- All dimensions are in $\frac{\text{inches}}{\text{[millimeters]}}$
- Dimensions appearing in table are as follows:
 - a - As Supplied
 - b - After Unrestricted Recovery
- Coating is optional. As supplied dimensions appearing in table are for uncoated parts. When coating is added, entry diameters will be reduced by .06 max.



PART NUMBER	H		J		±10% b	R Ref	JO Ref	HW ±20% b	JW ±20% b
	Min a	Max b	Min a	Max b					
208A021-X-05	1.10 [27.9]	.41 [10.4]	.34 [8.6]	.12 [3.0]	1.51 [38.4]	.84 [21.3]	.29 [7.4]	.06 [1.52]	.04 [1.02]
208A032-X-05	1.45 [36.8]	.56 [14.2]	.44 [11.2]	.16 [4.1]	2.12 [53.8]	1.36 [34.5]	.29 [7.4]	.08 [2.03]	.05 [1.27]

tyco Electronics
TYCO ELECTRONICS
307 CONSTITUTION DRIVE
MENLO PARK, CALIFORNIA 94025

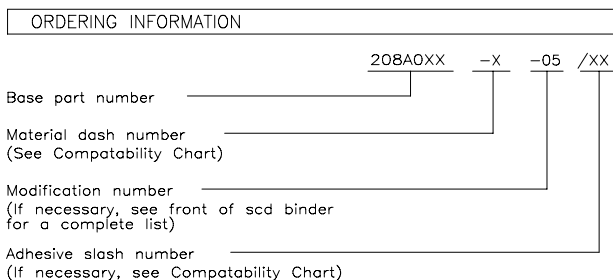
Revision : A
Date : 10/8/02

Part Number : 208A0XX-X-05
Description : Boot, Straight, Heavy Wall

Molded Parts Specification Control Drawing

Part Number : 208A0XX-X-05
Description : Boot, Straight, Heavy Wall

MATERIAL DASH NO.	MATERIAL DESCRIPTION	RT SPEC	COATING SLASH NO.	COATING S NO.	COATING DESCRIPTION
-3	Polyolefin, Semi-rigid	RT-301	/42;/86	S-1017;S-1048	Adhesive
-4	Polyolefin, Flexible	RT-1304	/42;/86	S-1017;S-1048	Adhesive



THIS DRAWING IS SUBJECT TO CHANGE WITHOUT NOTICE; CONSULT YOUR NEAREST FIELD REPRESENTATIVE FOR CURRENT REVISION

**If this document is printed it becomes uncontrolled.
Check for the latest revision.**

tyco Electronics
TYCO ELECTRONICS
307 CONSTITUTION DRIVE
MENLO PARK, CALIFORNIA 94025

Revision : A
Date : 10/8/02

Part Number : 208A0XX-X-05
Description : Boot, Straight, Heavy Wall

CAD FILE MP02129