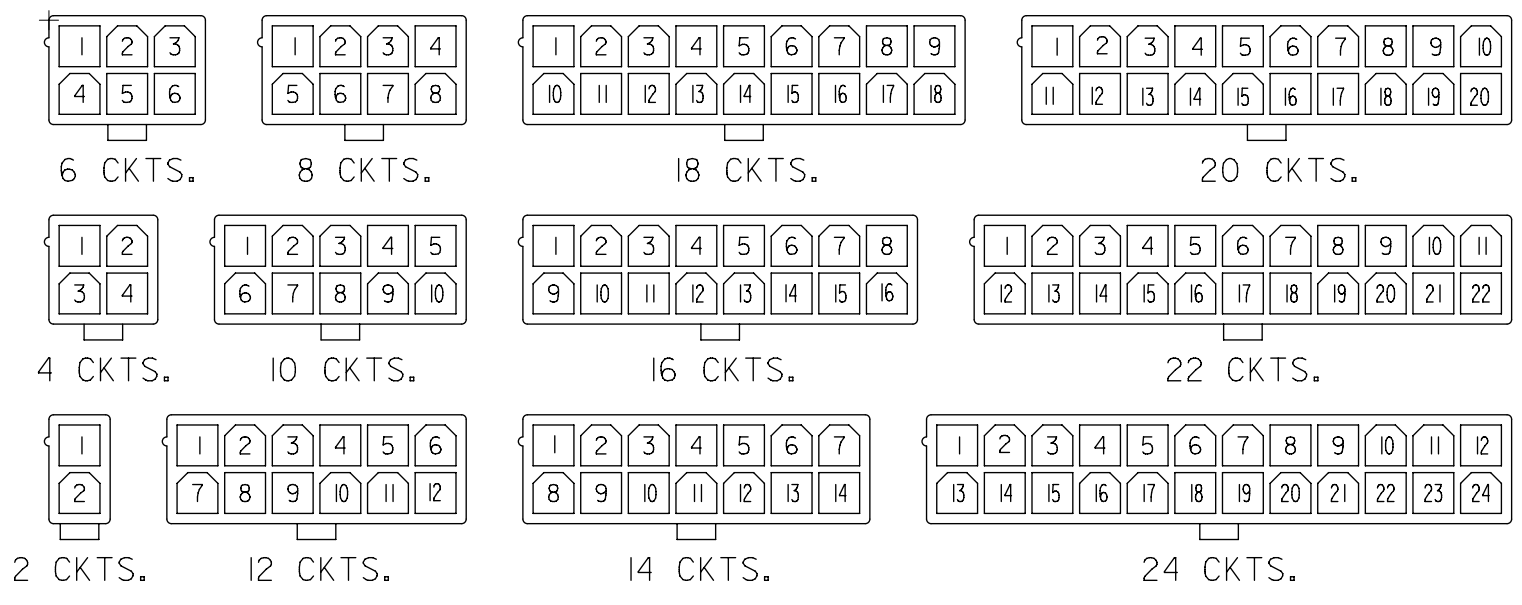
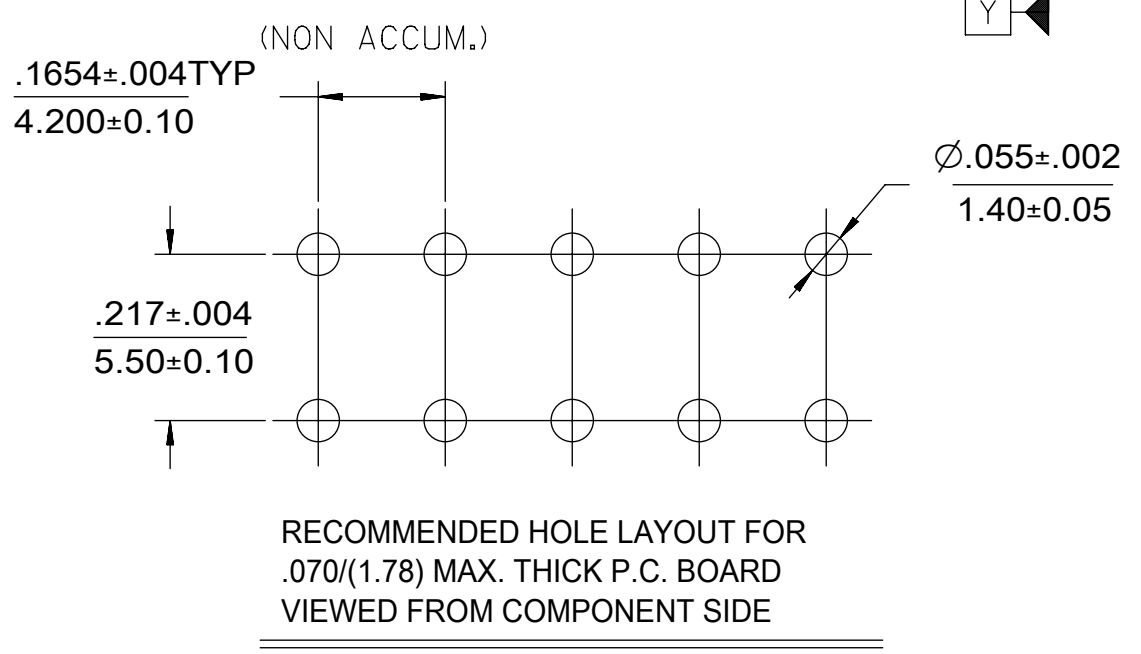
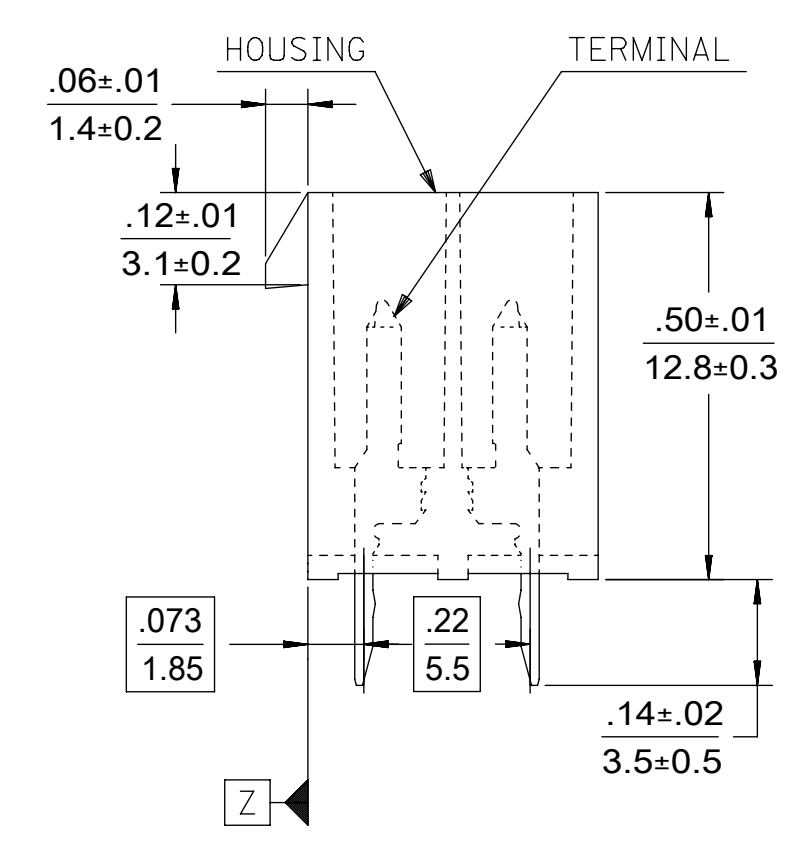
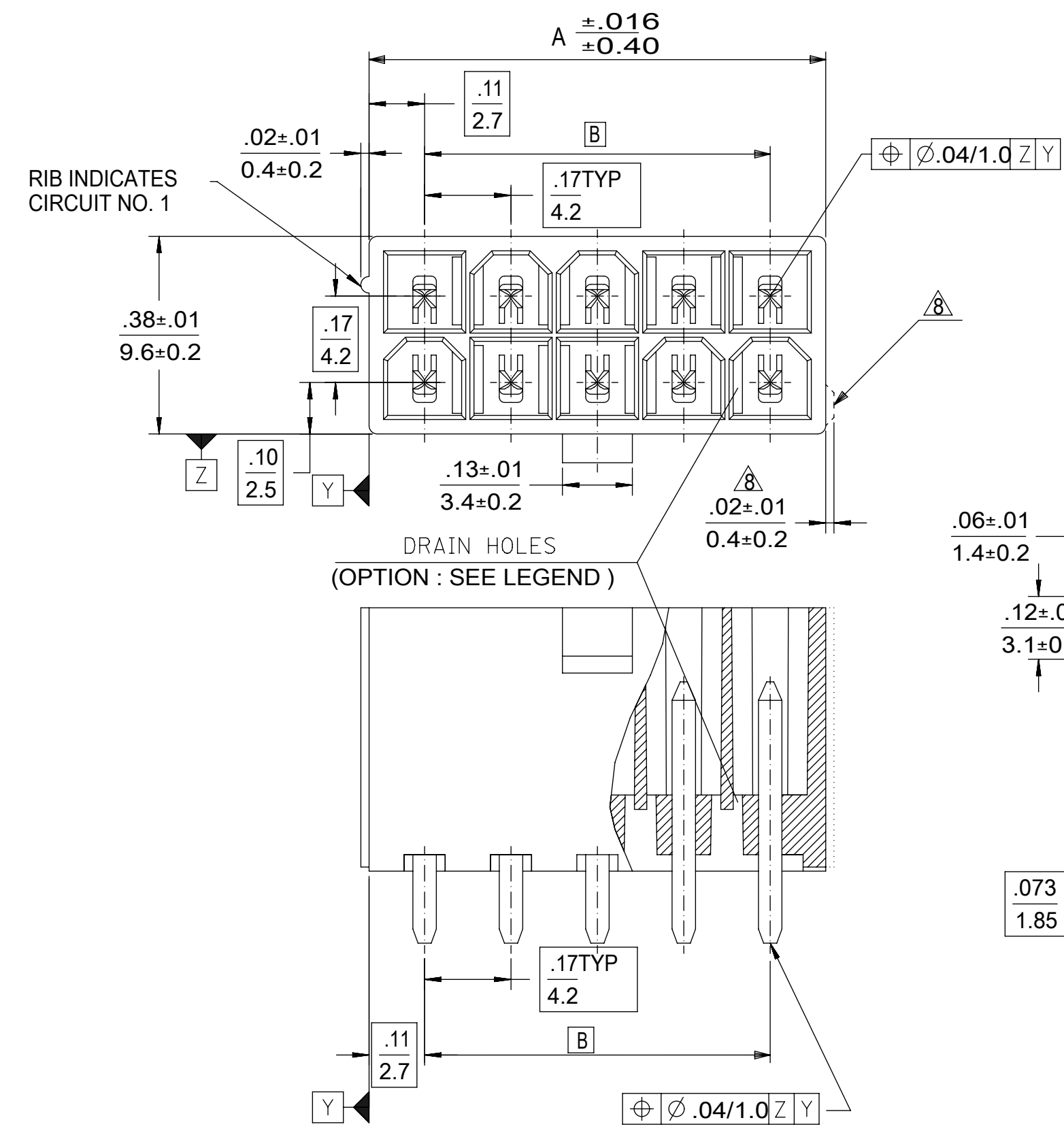


CIRCUIT SIZE	DIM. "A"	DIM. "B"
2	.21 (5.4)	—
4	.38 (9.6)	.17 (4.2)
6	.54 (13.8)	.33 (8.4)
8	.71 (18.0)	.50 (12.6)
10	.87 (22.2)	.66 (16.8)
12	1.04 (26.4)	.83 (21.0)
14	1.20 (30.6)	.99 (25.2)
16	1.37 (34.8)	1.16 (29.4)
18	1.54 (39.0)	1.32 (33.6)
20	1.70 (43.2)	1.49 (37.8)
22	1.87 (47.4)	1.65 (42.0)
24	2.03 (51.6)	1.82 (46.2)

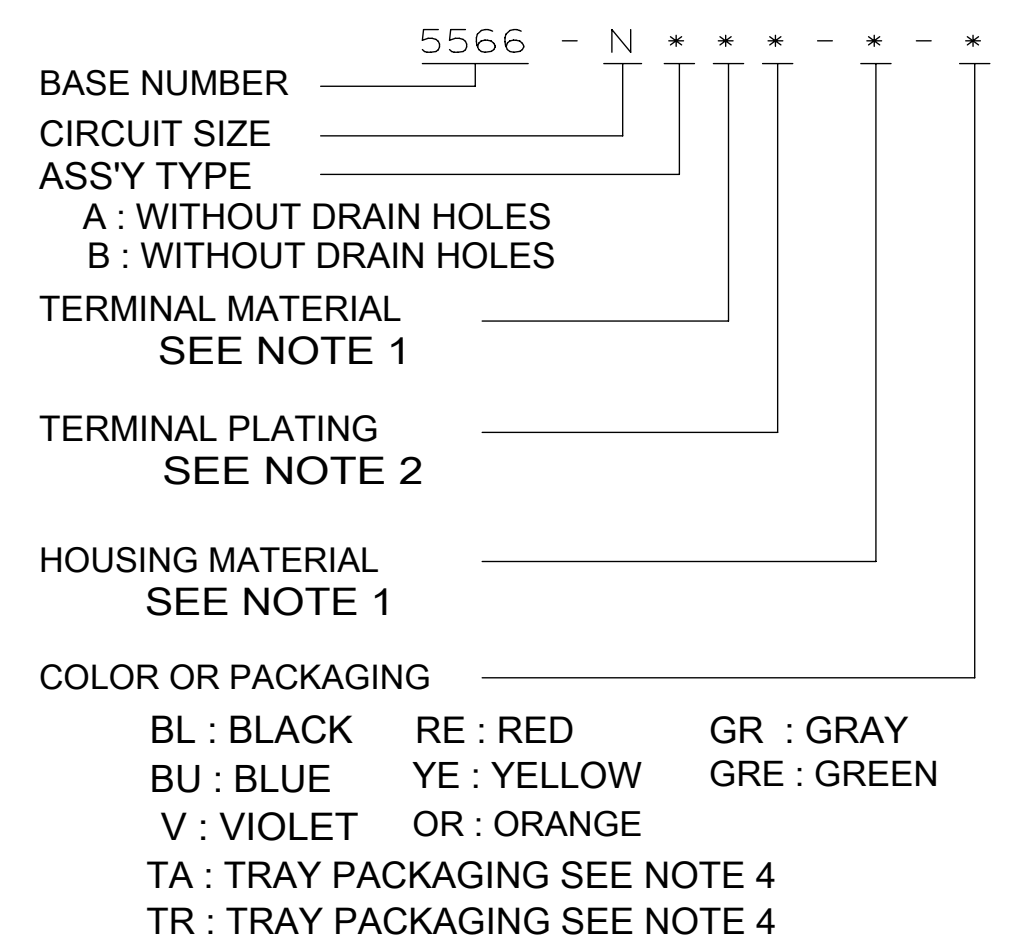


CIRCUIT SIZE LAYOUT



- NOTES:
- MATERIALS:
HOUSING:
"BLANK"=NYLON 6/6, UL94V-2, COLOR: NATURAL
"210" =NYLON 6/6, UL94V-0, COLOR: NATURAL
"400"=NYLON 6/6, UL94V-0, COLOR: BLACK
TERMINALS:
"BLANK" = BRASS
"PB" = PHOSPHOR BRONZE
 - TERMINAL PLATING:
"BLANK" = REFLOWED MATTE TIN .000035/(0.00090) MIN.
OVER COPPER .000020/(0.00050) MIN. (BRASS) (PREPLATE)
OR REFLOWED MATTE TIN .000035/(0.00090) MIN. (PHOSPHOR BRONZE) (PREPLATE)
(FINISH IS BRIGHT IN APPEARANCE, THICKNESS AS APPLIED PRIOR TO REFLOW)
"S"=.000100/(0.00254) MIN. BRIGHT TIN OVER
.000050/(0.00127) MIN NICKEL
"MS"=.000100/(0.00254) MIN. MATTE TIN OVER
.000050/(0.00127) MIN NICKEL
"GS2"=.000015/(0.00038) MIN. SELECT GOLD AND
.000100/(0.00254) MIN. SELECT MATTE TIN
OVER .000050/(0.00127) MIN. NICKEL OVERALL
"GS"=.000030/(0.00076) MIN. SELECT GOLD AND
.000100/(0.00254) MIN. SELECT MATTE TIN
OVER .000050/(0.00127) MIN. NICKEL OVERALL
 - PRODUCT SPECIFICATION: PS-5556-001
 - PACKAGING: "BLANK"= BULK PACKED.
"TA"=TRAY PACK PER PK-5566-001, "TR"=TRAY PACK PER PK-5566
 - PART MATES WITH MINI-FIT JR. RECEPTACLE NO. 5557.
 - PART IS NOT DESIGNED FOR CURRENT SHARING.
 - PARTS ARE NOT DESIGNED TO BE MATED OR UN-MATED WHILE CIRCUITS ARE LIVE.
 - ANTI-SHINGLING RIB MAY OR MAY NOT APPEAR ON HOUSINGS.
 - PART CONFORMS TO CLASS "B" REQUIREMENTS OF COSMETIC SPECIFICATION PS-45499-002.
 - TEXT ON PART IS FOR REFERENCE ONLY. TEXT AND TEXT LOCATION MAY VARY DEPENDING ON PART NUMBER AND/OR TOOL.

LEGEND



THIS DRAWING CONTAINS INFORMATION THAT IS PROPRIETARY TO MOLEX ELECTRONIC TECHNOLOGIES, LLC AND SHOULD NOT BE USED WITHOUT WRITTEN PERMISSION											
DIMENSION UNITS IN/MM		SCALE 4:1		CURRENT REV DESC: OBSOLETE PART NUMBER AS PER PCN#511877				molex		MINI FIT JR VERTICAL HEADER ASSEMBLIES WITHOUT PEGS	
GENERAL TOLERANCES (UNLESS SPECIFIED)				EC NO: 693980							
4 PLACES ±		±		DRWN: ABHISP1				2022/05/13		PRODUCT CUSTOMER DRAWING	
3 PLACES ±		± 0.005		CHK'D: GGA				2022/05/18			
2 PLACES ±		0.13 ± 0.01		APPR: GGA				2022/05/18		DOCUMENT NUMBER SD-5566-002	
1 PLACE ±		± 0.25 ±		INITIAL REVISION:				DOC TYPE PSD			
0 PLACES ±		±		DRWN: H.HIRAMOTO				1989/04/03		REVISION M5	
ANGULAR TOL ± 0.5 °				APPR: FSMITH				2012/05/04		SHEET NUMBER 1 OF 5	
DRAFT WHERE APPLICABLE MUST REMAIN WITHIN DIMENSIONS		THIRD ANGLE PROJECTION		DRAWING C-SIZE		SERIES 5566		MATERIAL NUMBER SEE TABLE		CUSTOMER GENERAL MARKET	

	12	11	10	9	8	7	6	5	4	3	2	1		
H				39-30-9245	5566-24AGS2-210	39-29-6248	5566-24AGS-210				39-28-8240	5566-24A-210	24	
				39-30-9225	5566-22AGS2-210	39-29-6228	5566-22AGS-210				39-28-8220	-22A-210	22	
				39-30-9205	5566-20AGS2-210	39-29-6208	5566-20AGS-210				39-28-8200	-20A-210	20	
				39-30-9185	5566-18AGS2-210	39-29-6188	5566-18AGS-210				39-28-8180	-18A-210	18	
				39-30-9165	5566-16AGS2-210	39-29-6168	5566-16AGS-210	39-30-6162	5566-16AS-210		39-28-8160	-16A-210	16	
				39-30-9145	5566-14AGS2-210	39-29-6148	5566-14AGS-210				39-28-8140	-14A-210	14	
				39-30-9125	5566-12AGS2-210	39-29-6128	5566-12AGS-210				39-28-8120	-12A-210	12	
				39-30-9105	5566-10AGS2-210	39-29-6108	5566-10AGS-210				39-28-8100	-10A-210	10	
				39-30-9085	5566-08AGS2-210	39-29-6088	5566-08AGS-210	39-30-6082	5566-08AS-210		39-28-8080	-08A-210	8	
				39-30-9065	5566-06AGS2-210	39-29-6068	5566-06AGS-210	39-30-6062	5566-06AS-210		39-28-8060	-06A-210	6	
G				39-30-9045	5566-04AGS2-210	39-29-6048	5566-04AGS-210	39-30-6042	5566-04AS-210		39-28-8040	-04A-210	4	
				39-30-9025	5566-02AGS2-210	39-29-6028	5566-02AGS-210				39-28-8020	5566-02A-210	2	
	EDP NO.	ENG. NO.	EDP NO.	ENG. NO.	EDP NO.	ENG. NO.	EDP NO.	ENG. NO.	EDP NO.	ENG. NO.	EDP NO.	ENG. NO.	CKT. SIZE	
	5566-NAPB-210			5566-NAGS2-210			5566-NAGS-210			5566-NAS-210			5566-NA-210	
				39-30-9244	5566-24AGS2	39-29-0243	5566-24AGS				39-28-1243	5566-24A	24	
F				39-30-9224	5566-22AGS2						39-28-1223	5566-22A	22	
				39-30-9204	5566-20AGS2	39-29-0203	5566-20AGS				39-28-1203	5566-20A	20	
				39-30-9184	5566-18AGS2	39-29-0183	5566-18AGS				39-28-1183	5566-18A	18	
				39-30-9164	5566-16AGS2						39-28-1163	5566-16A	16	
				39-30-9144	5566-14AGS2						39-28-1143	5566-14A	14	
				39-30-9124	5566-12AGS2	39-29-0123	5566-12AGS				39-28-1123	5566-12A	12	
				39-30-9104	5566-10AGS2	39-29-0103	5566-10AGS	39-30-6101	5566-10AS		39-28-1103	5566-10A	10	
				39-30-9084	5566-08AGS2	39-29-0083	5566-08AGS	39-30-6081	5566-08AS		39-28-1083	5566-08A	8	
				39-30-9064	5566-06AGS2	39-29-0063	5566-06AGS				39-28-1063	5566-06A	6	
				39-30-9044	5566-04AGS2	39-29-0043	5566-04AGS				39-28-1043	5566-04A	4	
E				39-30-9024	5566-02AGS2	39-29-0023	5566-02AGS				39-28-1023	5566-02A	2	
	EDP NO.	ENG. NO.	EDP NO.	ENG. NO.	EDP NO.	ENG. NO.	EDP NO.	ENG. NO.	EDP NO.	ENG. NO.	EDP NO.	ENG. NO.	CKT. SIZE	
	5566-NAPB			5566-NAGS2			5566-NAGS			5566-NAS			5566-NA	

PARTS WITHOUT DRAIN HOLES

THIS DRAWING CONTAINS INFORMATION THAT IS PROPRIETARY TO MOLEX ELECTRONIC TECHNOLOGIES, LLC AND SHOULD NOT BE USED WITHOUT WRITTEN PERMISSION															
DIMENSION UNITS	SCALE	CURRENT REV DESC: OBSOLETE PART NUMBER AS PER PCN#511877					molex								
IN/MM	1:1	EC NO: 693980 DRWN: ABHISP1 2022/05/18 CHK'D: GGA APPR: GGA 2022/05/18					MINI FIT JR VERTICAL HEADER ASSEMBLIES WITHOUT PEGS								
GENERAL TOLERANCES (UNLESS SPECIFIED)							PRODUCT CUSTOMER DRAWING								
4 PLACES	±						MM	±	INCH	±	DOCUMENT NUMBER		DOC TYPE	DOC PART	REVISION
3 PLACES	±						0.13	±	0.01	±	SD-5566-002		PSD	000	M5
2 PLACES	±						0.25	±	0.01	±	INITIAL REVISION:		1989/04/03	SHEET NUMBER	
1 PLACE	±	0.25	±	0.01	±	DRWN: H.HIRAMOTO		2012/05/04	2 OF 5						
0 PLACES	±	0.25	±	0.01	±	APPR: FSMITH		MATERIAL NUMBER		CUSTOMER					
DRAFT WHERE APPLICABLE MUST REMAIN WITHIN DIMENSIONS		THIRD ANGLE PROJECTION		DRAWING	SERIES	SEE TABLE		GENERAL MARKET		SHEET NUMBER					
				C-SIZE	5566										

H

G

F

E

D

C

B

A

						24	
						22	
						20	
						18	
		39-31-0168	5566-16BGS-210	39-31-0160	5566-16B-210	16	
		39-31-0148	5566-14BGS-210	39-31-0140	5566-14B-210	14	
		39-31-0128	5566-12BGS-210	39-31-0120	5566-12B-210	12	
		39-31-0108	5566-10BGS-210	39-31-0100	5566-10B-210	10	
		39-31-0088	5566-08BGS-210	39-31-0080	5566-08B-210	8	
		39-31-0068	5566-06BGS-210	39-31-0060	5566-06B-210	6	
		39-31-0048	5566-04BGS-210	39-31-0040	5566-04B-210	4	
		39-31-0028	5566-02BGS-210	39-31-0020	5566-02B-210	2	
		EDP NO.	ENG. NO.	EDP NO.	ENG. NO.	CKT. SIZE	
		5566-NBGS-210		5566-NB-210			
						24	
						22	
		39-31-0207	5566-20BGS	39-29-3206	5566-20B	20	
						18	
		39-31-0167	5566-16BGS	39-29-3166	5566-16B	16	
		39-31-0147	5566-14BGS	39-29-3146	5566-14B	14	
				39-29-3126	5566-12B	12	
		39-31-0107	5566-10BGS	39-29-3106	5566-10B	10	
		39-31-0087	5566-08BGS	39-29-3086	5566-08B	8	
		39-31-0067	5566-06BGS	39-29-3066	5566-06B	6	
	39-30-9046	5566-04BGS2	39-31-0047	5566-04BGS	39-29-3046	5566-04B	4
			39-31-0027	5566-02BGS	39-29-3026	5566-02B	2
		EDP NO.	ENG. NO.	EDP NO.	ENG. NO.	CKT. SIZE	
		5566-NBGS2		5566-NBGS		5566-NB	

PARTS WITH DRAIN HOLES



PARTS WITH/OUT DRAIN HOLES

PENDING OBSOLETE

-NOT RECOMENDED FOR NEW APPLICATIONS
-NO WITH DRAIN HOLE VERSION PRODUCT

THIS DRAWING CONTAINS INFORMATION THAT IS PROPRIETARY TO MOLEX ELECTRONIC TECHNOLOGIES, LLC AND SHOULD NOT BE USED WITHOUT WRITTEN PERMISSION									
DIMENSION UNITS IN/MM		SCALE 1:1		CURRENT REV DESC: OBSOLETE PART NUMBER AS PER PCN#511877			molex		
GENERAL TOLERANCES (UNLESS SPECIFIED)				EC NO: 693980					
		MM	INCH	DRWN: ABHISP1 2022/05/13			MINI FIT JR VERTICAL HEADER ASSEMBLIES WITHOUT PEGS		
4 PLACES ±				CHK'D: GGA 2022/05/18					
3 PLACES ±		± 0.005		APPR: GGA 2022/05/18			PRODUCT CUSTOMER DRAWING		
2 PLACES ±		± 0.13	± 0.01	INITIAL REVISION:			DOCUMENT NUMBER		
1 PLACE ±		± 0.25	±	DRWN: H.HIRAMOTO 1989/04/03			SD-5566-002		
0 PLACES ±		±	±	APPR: FSMITH 2012/05/04			PSD 000 M5		
ANGULAR TOL ± 0.5 °					THIRD ANGLE PROJECTION		MATERIAL NUMBER		DOC TYPE
DRAFT WHERE APPLICABLE MUST REMAIN WITHIN DIMENSIONS				DRAWING C-SIZE		SERIES 5566		CUSTOMER GENERAL MARKET	
						SHEET NUMBER		3 OF 5	

COLORED PART NUMBERS

						24
						22
						20
46999-0085	5566-18AS-RE					18
						16
						14
						12
				46999-0087	5566-10AS-V	10
						8
		46999-0089	5566-08AS-OR			6
						4
						2
EDP. NO.	ENG. NO.	EDP. NO.	ENG. NO.	EDP. NO.	ENG. NO.	CKT. SIZE
5566-NAS-RE		5566-NAS-OR		5566-NAS-V		

TRAY PACKED PER TA \triangle 4	46999-0575	5566-24AMS-400	TRAY PACKED PER TA \triangle 4							24	
	46999-0574	5566-22AMS-400									22
	46999-0573	5566-20AMS-400									20
	46999-0572	5566-18AMS-400									18
	46999-0571	5566-16AMS-400									16
	46999-0570	5566-14AMS-400									14
	46999-0569	5566-12AMS-400									12
	46999-0568	5566-10AMS-400		46999-0876	5566-10AMS-RE						10
	46999-0567	5566-08AMS-400				46999-0091	5566-08AS-GRE				8
	46999-0566	5566-06AMS-400									6
	46999-0565	5566-04AMS-400									4
	46999-0564	5566-02AMS-400				50-36-2485	5566-02AS-GRE	39-34-5023	5566-02A-210-YE		
EDP. NO.	ENG. NO.	EDP. NO.	ENG. NO.	EDP. NO.	ENG. NO.	EDP. NO.	ENG. NO.	EDP. NO.	ENG. NO.	CKT. SIZE	
5566-NAMS-400		5566-NAMS-RE		5566-NAS-GRE		5566-NA-210-YE		5566-NA-400			
										24	
										22	
										20	
										18	
										16	
										14	
										12	
										10	
										8	
										6	
								39-33-3043	5566-04A-BL	4	
								39-33-3023	5566-02A-BL	2	
EDP. NO.	ENG. NO.	EDP. NO.	ENG. NO.	EDP. NO.	ENG. NO.	EDP. NO.	ENG. NO.	EDP. NO.	ENG. NO.	CKT. SIZE	
5566-NA-GR		5566-NA-YE		5566-NA-RE		5566-NA-BU		5566-NA-BL			

PARTS WITHOUT DRAIN HOLES

THIS DRAWING CONTAINS INFORMATION THAT IS PROPRIETARY TO MOLEX ELECTRONIC TECHNOLOGIES, LLC AND SHOULD NOT BE USED WITHOUT WRITTEN PERMISSION

DIMENSION UNITS	SCALE	CURRENT REV DESC: OBSOLETE PART NUMBER AS PER PCN#511877	molex		
IN/MM	1:1				
GENERAL TOLERANCES (UNLESS SPECIFIED)			MINI FIT JR VERTICAL HEADER ASSEMBLIES WITHOUT PEGS		
	MM	INCH	PRODUCT CUSTOMER DRAWING		
4 PLACES	±	±	EC NO: 693980	DOCUMENT NUMBER	
3 PLACES	±	± 0.005	DRWN: ABHISP1 2022/05/13	SD-5566-002	DOC TYPE
2 PLACES	± 0.13	± 0.01	CHK'D: GGA	PSD	DOC PART
1 PLACE	± 0.25	±	APPR: GGA 2022/05/18	000	REVISION
0 PLACES	±	±	INITIAL REVISION:	M5	
			DRWN: H.HIRAMOTO 1989/04/03	MATERIAL NUMBER	
			APPR: FSMITH 2012/05/04	SEE TABLE	CUSTOMER
ANGULAR TOL	± 0.5 °		THIRD ANGLE PROJECTION	GENERAL MARKET	SHEET NUMBER
DRAFT WHERE APPLICABLE MUST REMAIN WITHIN DIMENSIONS			C-SIZE		4 OF 5

H
G
F
E
D
C
B
A

TRAY PACKED PART NUMBERS
PARTS WITHOUT DRAIN HOLES

TRAY PACKED PER TA \triangle 4	46999-0137	5566-24AMS	TRAY PACKED PER TA \triangle 4	46999-0149	5566-24AMS-210	24
	46999-0136	5566-22AMS		46999-0148	5566-22AMS-210	22
	46999-0135	5566-20AMS		46999-0147	5566-20AMS-210	20
	46999-0134	5566-18AMS		46999-0146	5566-18AMS-210	18
	46999-0133	5566-16AMS		46999-0145	5566-16AMS-210	16
	46999-0132	5566-14AMS		46999-0144	5566-14AMS-210	14
	46999-0131	5566-12AMS		46999-0143	5566-12AMS-210	12
	46999-0130	5566-10AMS		46999-0142	5566-10AMS-210	10
	46999-0129	5566-08AMS		46999-0141	5566-08AMS-210	8
	46999-0128	5566-06AMS		46999-0140	5566-06AMS-210	6
	46999-0127	5566-04AMS		46999-0139	5566-04AMS-210	4
	46999-0126	5566-02AMS		46999-0138	5566-02AMS-210	2
	EDP. NO.			ENG. NO.	EDP. NO.	
5566-NAMS			5566-NAMS-210			
						24
						22
						20
			39-53-9188	5566-18A-TA		18
						16
						14
						12
						10
						8
	46999-0630	5566-06AGS2-BL-TA				6
	46999-0629	5566-04AGS2-BL-TA				4
						2
	EDP. NO.	ENG. NO.	EDP. NO.	ENG. NO.		CKT. SIZE
	5566-NAGS2-BL-TA		5566-NA-TA			

THIS DRAWING CONTAINS INFORMATION THAT IS PROPRIETARY TO MOLEX ELECTRONIC TECHNOLOGIES, LLC AND SHOULD NOT BE USED WITHOUT WRITTEN PERMISSION									
DIMENSION UNITS IN/MM		SCALE 1:1		CURRENT REV DESC: OBSOLETE PART NUMBER AS PER PCN#511877			molex		
GENERAL TOLERANCES (UNLESS SPECIFIED)				EC NO: 693980					
	MM	INCH		DRWN: ABHISP1 2022/05/18			MINI FIT JR VERTICAL HEADER ASSEMBLIES WITHOUT PEGS		
4 PLACES	±	±		CHK'D: GGA 2022/05/18					
3 PLACES	±	± 0.005		APPR: GGA 2022/05/18			PRODUCT CUSTOMER DRAWING		
2 PLACES	± 0.13	± 0.01		INITIAL REVISION:					
1 PLACE	± 0.25	±		DRWN: H.HIRAMOTO 1989/04/03			DOCUMENT NUMBER SD-5566-002		
0 PLACES	±	±		APPR: FSMITH 2012/05/04					
ANGULAR TOL ± 0.5 °				THIRD ANGLE PROJECTION			DOC PART 000		
DRAFT WHERE APPLICABLE MUST REMAIN WITHIN DIMENSIONS				DRAWING C-SIZE					
				SERIES 5566			CUSTOMER GENERAL MARKET		
				MATERIAL NUMBER SEE TABLE					
				CUSTOMER GENERAL MARKET					
				SHEET NUMBER 5 OF 5					