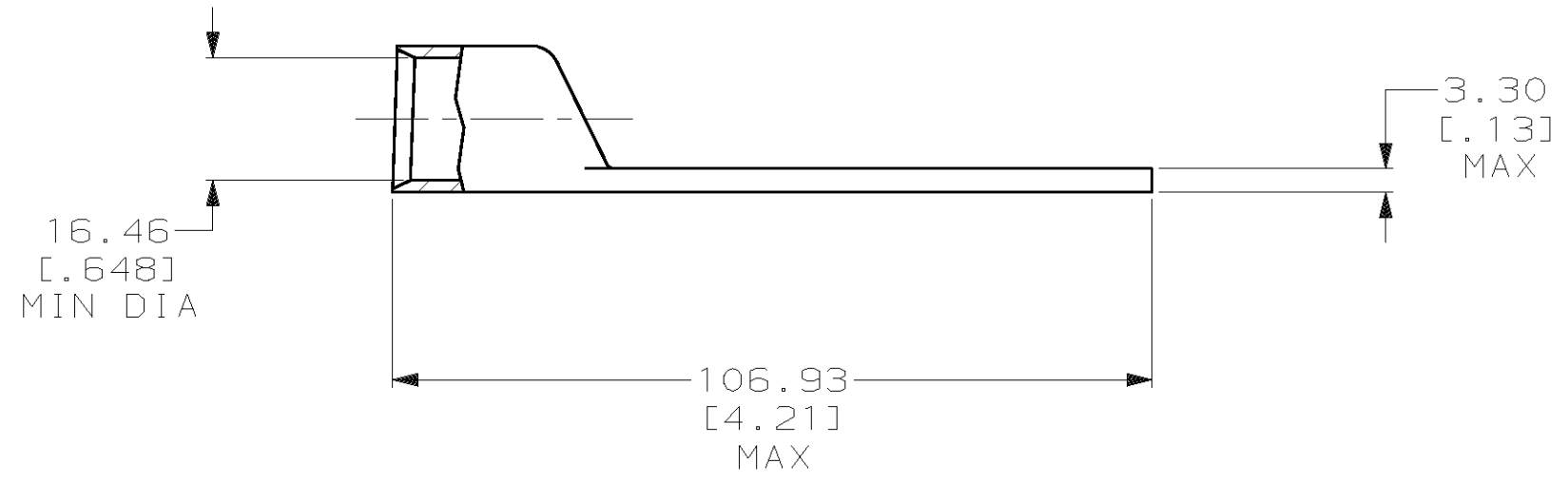
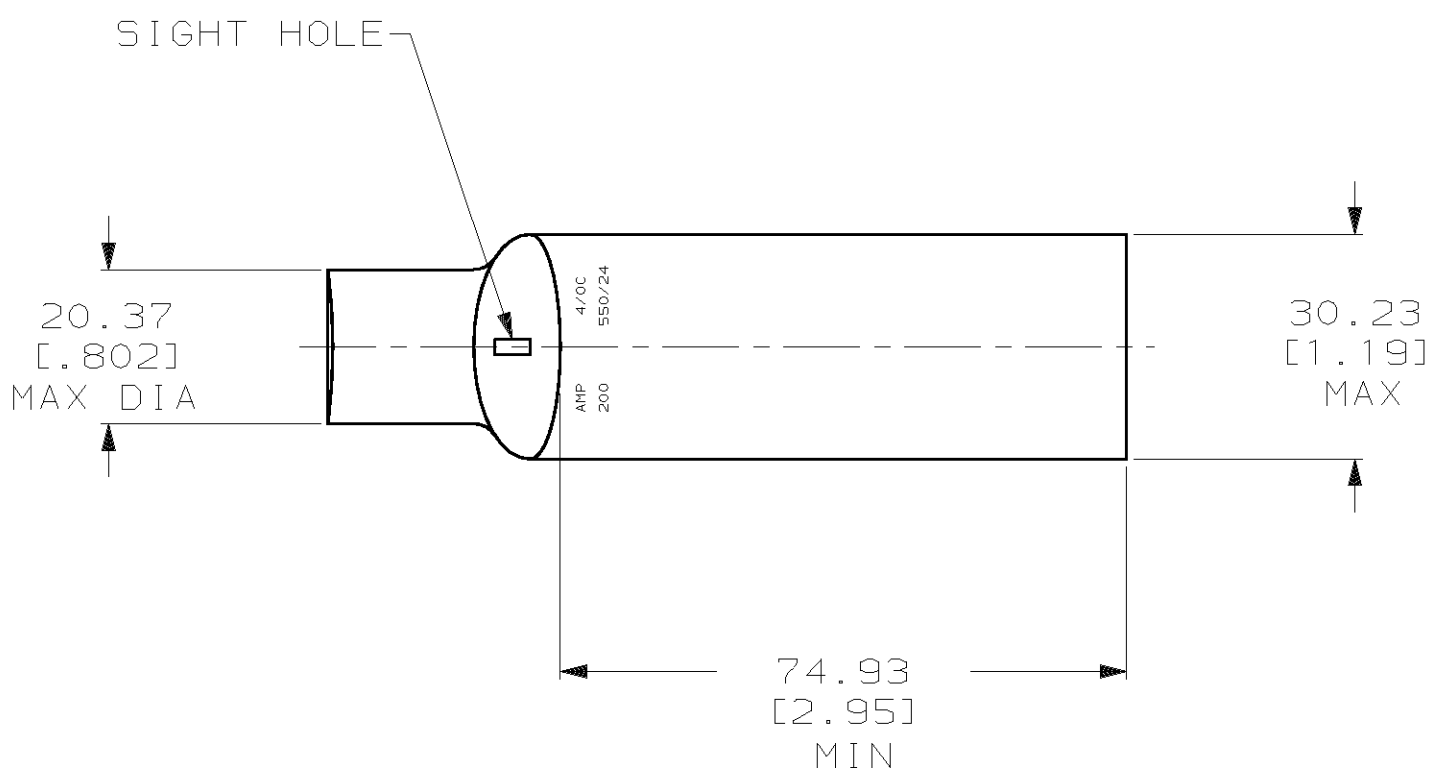


THIS DRAWING IS UNPUBLISHED. RELEASED FOR PUBLICATION, 19 .
 © COPYRIGHT 19 BY AMP INCORPORATED. ALL INTERNATIONAL RIGHTS RESERVED.

LOC		DIST		P		F		ZONE		LTR		REVISIONS		DATE	APPD
G		86		P		F				P		REV PER 0G3A-0561-01		08OCT02	JR MS

1 CIRCULAR MIL RANGE: 190,000-231,000 CM



325610

B

A

325610
PART NO

DO NOT SCALE PRINT. UNLESS SPECIFIED DIMENSIONS IN mm [INCHES] TOLERANCES ON : 2 PLC DEC ± - 3 PLC DEC ± - ANGLES ± -		DR 02/28/90 DK SCHRUM		AMP Incorporated Harrisburg, PA 17105-3608	
MATERIAL COPPER PER ASTM B-75 ANNEALED		CHK 8/10/92 AJ KAUFMAN			
FINISH TIN PLATE 0.00381 [.000150] MIN THK PER MIL-T-10727		APPD 8/10/92 RE ROSER		NAME TERMINAL, AMPOWER, WIRE SIZE: 4/0 AWG	
THIS DRAWING IS A CONTROLLED DOCUMENT FOR AMP INCORPORATED. IT IS SUBJECT TO CHANGE AND THE CONTROLLING ENGINEERING ORGANIZATION SHOULD BE CONTACTED FOR THE LATEST REVISION.		APPD 8/10/92 JL MECKLEY		DRAWING NO C-325610	
		PRODUCT SPEC -		SIZE C 00779	
		APPLICATION SPEC -		CAGE CODE C-325610	
		WEIGHT .184 LBS		SCALE 1:1	
				SHEET 1 OF 1	