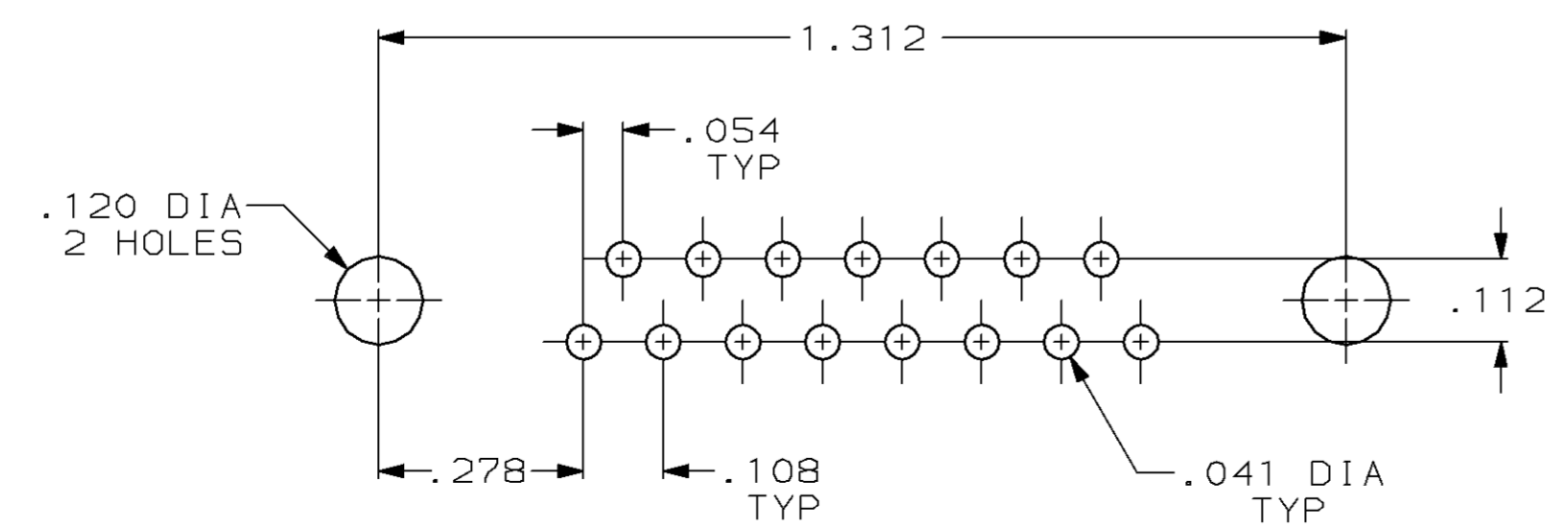
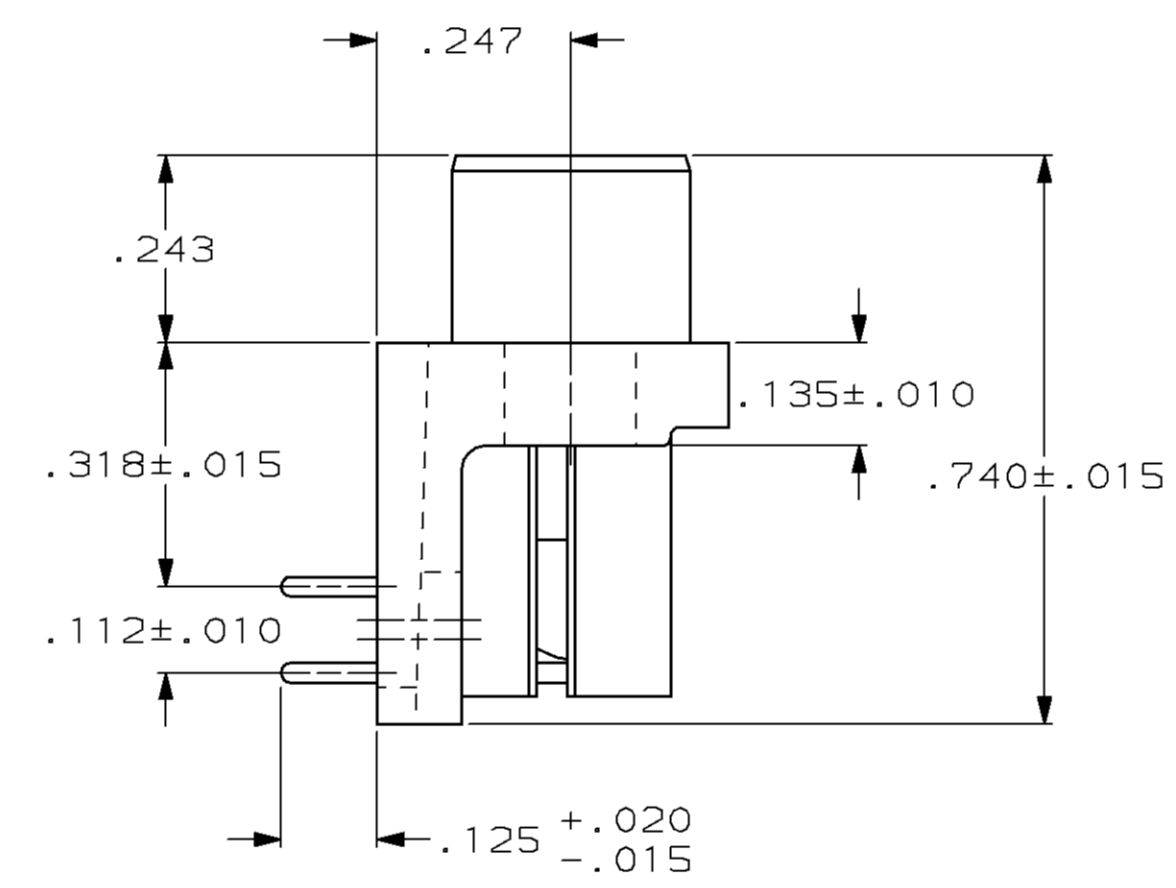
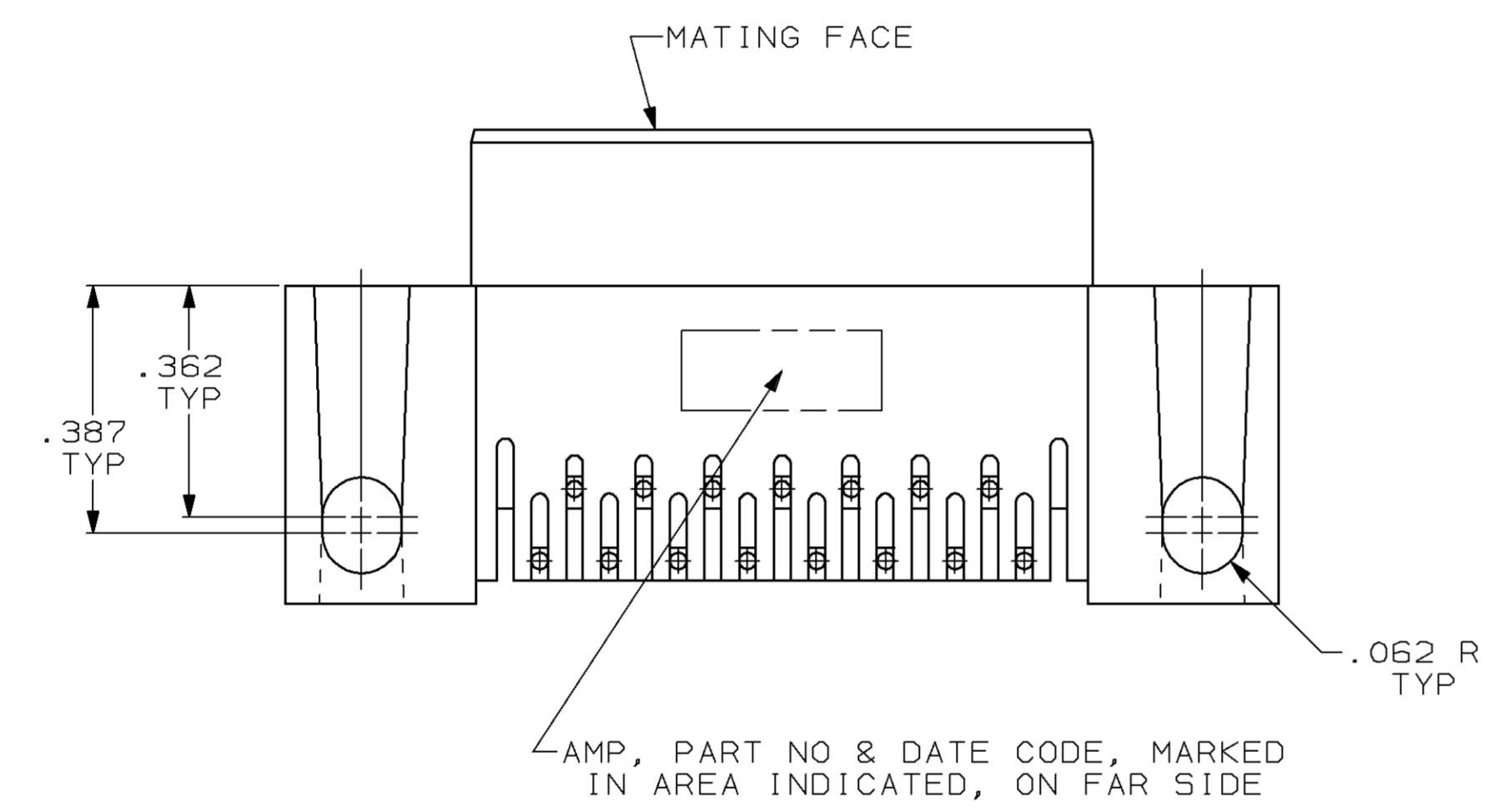
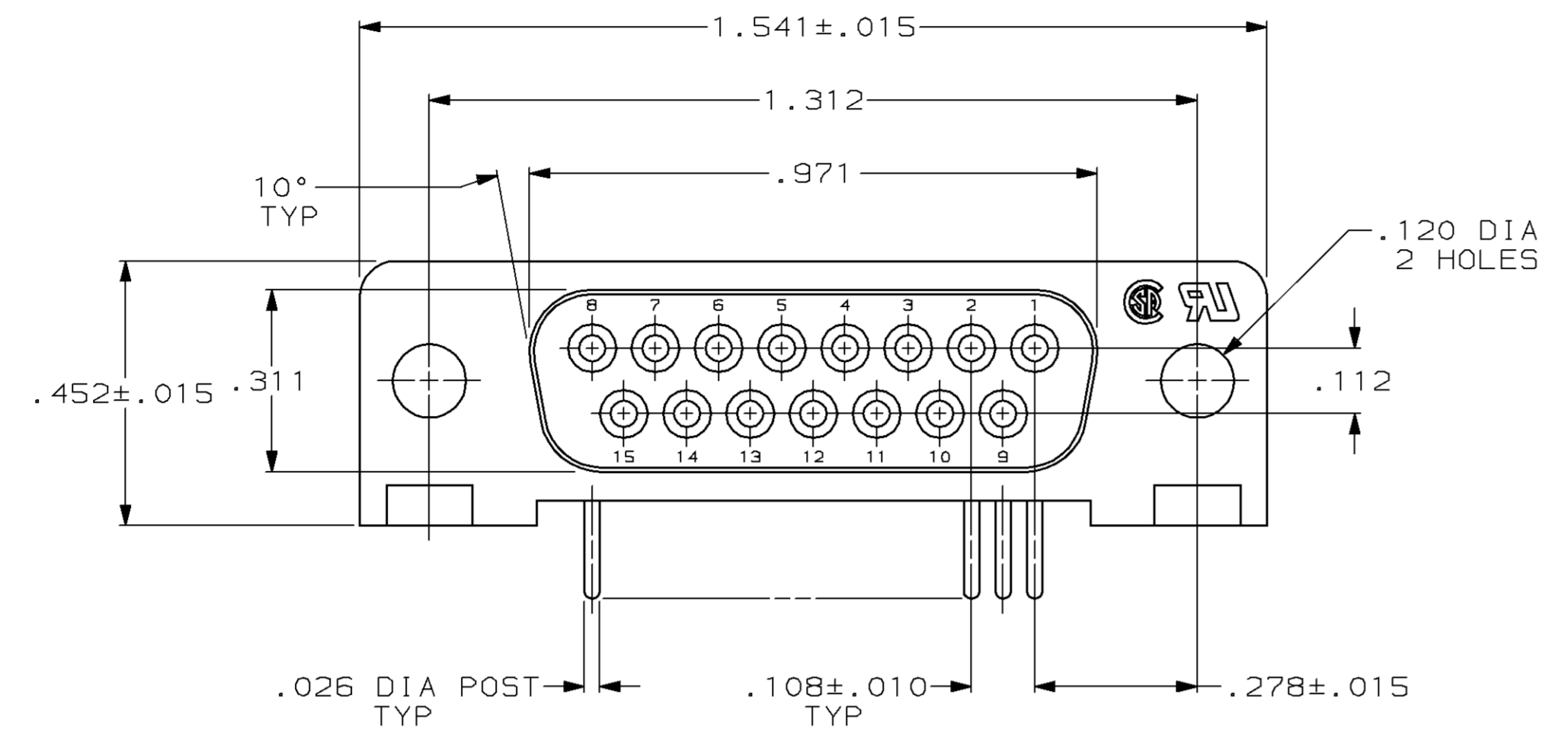


DRAWING MADE IN THIRD ANGLE PROJECTION
 THIS DRAWING IS UNPUBLISHED. RELEASED FOR PUBLICATION
 © COPYRIGHT 19 BY AMP INCORPORATED, HARRISBURG, PA. ALL INTERNATIONAL RIGHTS RESERVED. AMP PRODUCTS MAY BE COVERED BY U.S. AND FOREIGN PATENTS AND/OR PATENTS PENDING.

LOC		DIST		REVISONS				
BD	77	P	F	ZONE	LTR	DESCRIPTION	DATE	APPD
				A		REV & REDRAWN ECN-1747	-	-
				B		REVISED ECN-BD2289	11-14-88	PAK
				C		REVISED ECN-BD3407	11-19-88	WJS
				D		SUPSD -1 PER EC 0020-967-93	03/22/94	SB



P.C. BOARD MOUNTING DIMENSIONS \triangle

- $\triangle 1$ FLAME RETARDANT, 94V-0 RATED, GLASS FILLED NYLON OR POLYESTER, COLOR: BLACK.
- $\triangle 2$ PHOS. BRONZE PER QQ-B-750.
- $\triangle 3$ REFER TO APPLICATION SPEC FOR RECOMMENDED P.C. BOARD MOUNTING DIMENSIONS FOR AUTOMATIC INSERTION.
- $\triangle 4$ GOLD PLATING PER MIL-G-45204, TIN PLATING PER MIL-T-10727, NICKEL PLATING PER QQ-N-290.
- $\triangle 5$ PLATED WITH GOLD FLASH FOR LENGTH OF .055 MIN FROM MATING END, WITH POINT OF MEASUREMENT .035 FROM MATING END OF CONTACT, .000100-.000200 TIN OR TIN-LEAD ON SOLDER END, ALL OVER .000050 NICKEL ON ENTIRE CONTACT.
- $\triangle 6$ PLATED WITH .000030 GOLD FOR LENGTH OF .055 MIN FROM MATING END, WITH POINT OF MEASUREMENT .035 FROM MATING END OF CONTACT, .000100-.000200 TIN OR TIN-LEAD ON SOLDER END, ALL OVER .000050 NICKEL ON ENTIRE CONTACT.

SUPSD BY 745271-2 $\triangle 6$ 745271 -2
 $\triangle 5$ 745271 -1
 FINISH PART NUMBER

UNLESS OTHERWISE SPECIFIED DIMENSIONS ARE IN INCHES TOLERANCES ON:		DR 4-7-87 S. WELDON	AMP AMP INCORPORATED Harrisburg, Pa. 17105
2 PL DEC ±.005 3 PL DEC ±.005 ANGLES ±2°		CHK 4-14-87 C. RICHARD	
MATERIAL	MOLDED PARTS: $\triangle 1$ CONTACTS: $\triangle 2$	APPD 4-27-87 B. TAYLOR	NAME RECEPTACLE ASSY, SIZE 2, 15 POSN, RIGHT ANGLE, .318 SERIES, .026 DIA POSTS, AMPLIMITE®HD-20
FINISH $\triangle 4$	CONTACTS: SEE TABLE	APPD 5-5-87 J. ASSINI	PRODUCT SPEC 108-40005
SCALE	4:1	APPLICATION SPEC 114-40015	SIZE D FSCM NO 00779 DRAWING NO 745271
WEIGHT	-		SHEET 1 of 1