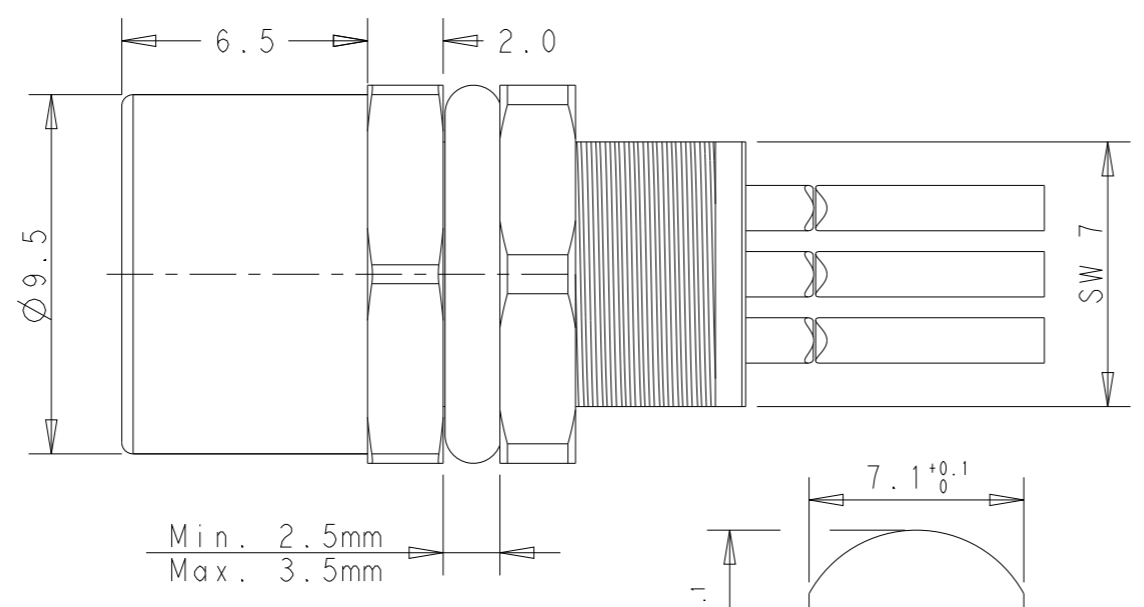
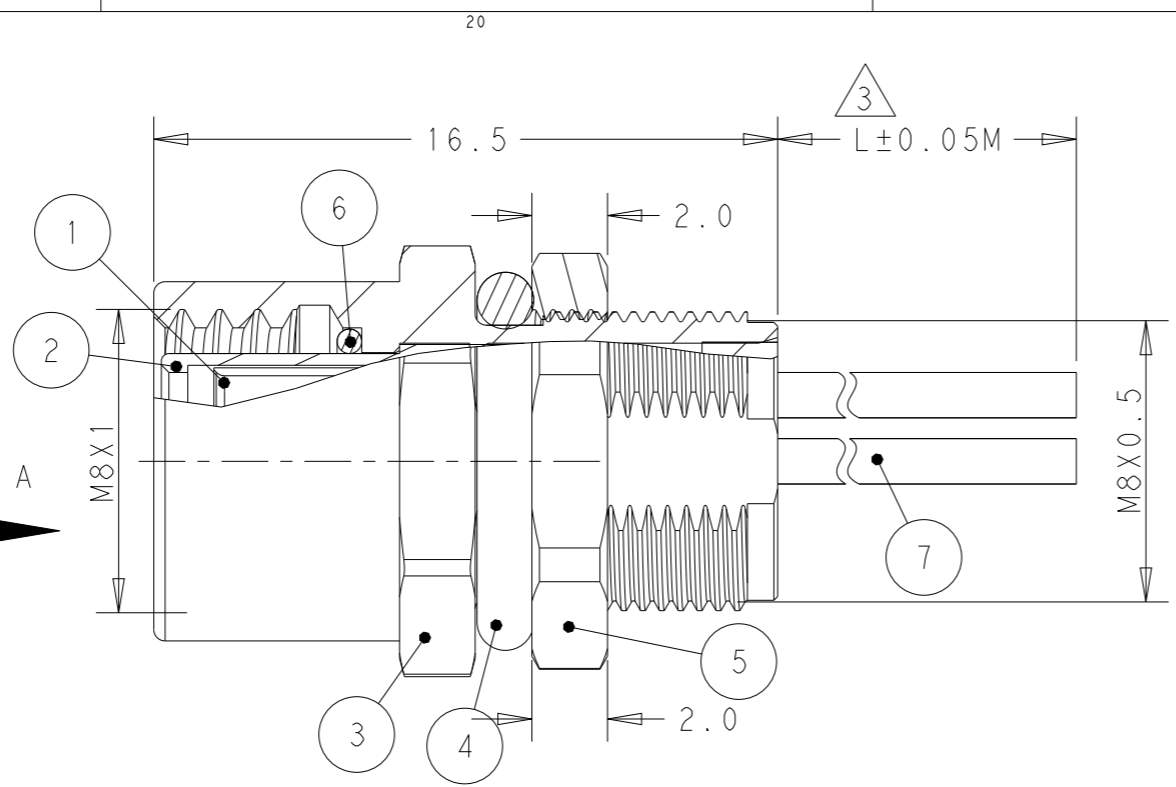
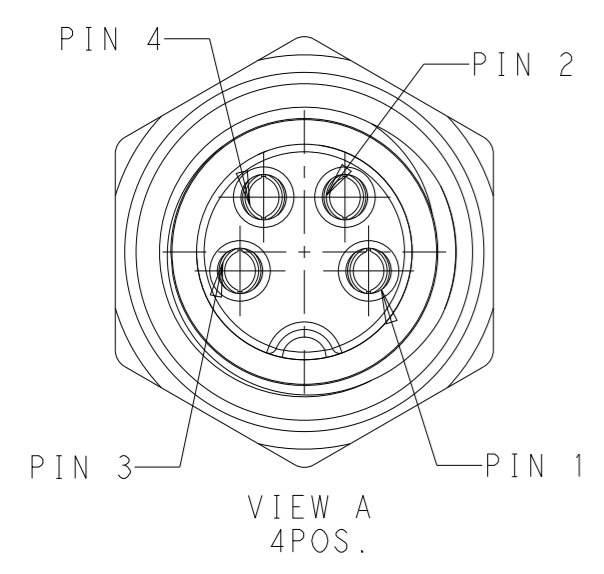
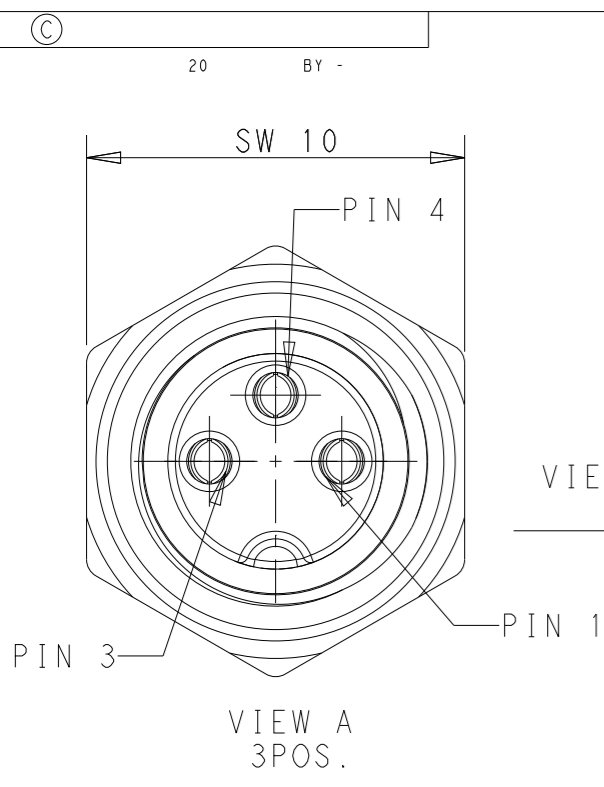


4

3

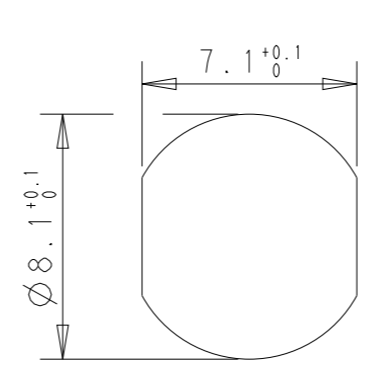
2

1

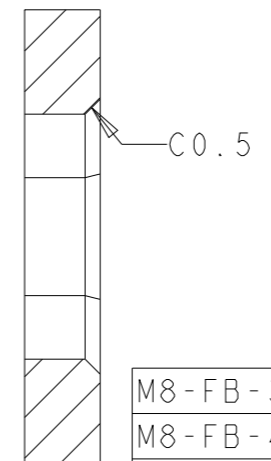


Min. 2.5mm  
Max. 3.5mm

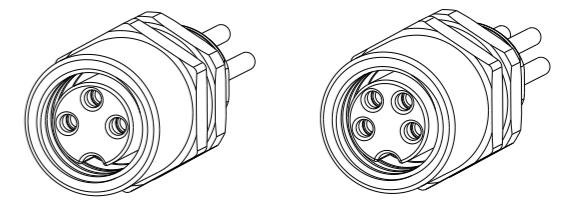
RECOMMENDED  
PANEL THICKNESS



PANEL MOUNTING HOLE



REVISIONS					
P	LTR	DESCRIPTION	DATE	DWN	APVD
	A	INITIAL RELEASE	08JUN2021	G.W	C.W



NOTES:

1. TECHNICAL DATA: SEE TABLE 1
  2. THE RELATION BETWEEN WIRE COLOR AND PIN IS:  
PIN1 BROWN; PIN2 WHITE; PIN3 BLUE; PIN4 BLACK;
  3. CABLE LENGTH(L): -00X  
-001:0.2m;
  4. IF CUSTOMER NEED OTHER CABLE LENGTH, PLEASE CONTACT TE PRODUCT MANAGER OR SALES FOR HELP.
  5. ALL DIMENSIONS ARE FOR NOMINAL REFERENCE ONLY UNLESS OTHERWISE STATED
- 注意事项  
 1. 技术参数：见表1  
 2. PIN数与线颜色的关系是：PIN1棕色线，PIN2白色线，PIN3蓝色线，PIN4黑色线；  
 3. 线长(L)：-00X  
-001:0.2m；  
 4. 如果客户需要定制的长度，请联系TE销售或者产品经理；  
 5. 所有尺寸仅供参考，除非另有说明

TABLE 1

TECHNICAL DATA	T4073014031-00X	T4073014041-00X
RATED VOLTAGE	60V	30V
RATED CURRENT	3A	
POLLETION DEGREE	3	
OVERVOLTAGE CATEGORY	II	
MATERIAL GROUP	II	
DEGREE OF PROTECTION	IP67	
INSULATION RESISTANCE	>100MΩ	
TEMPERATURE	-40°C~85°C	

MATERIAL	DESCRIPITON	ITEM
	WIRE	7
RUBBER	O-RING	6
COPPER ALLOY	NUT	5
RUBBER	O-RING	4
COPPER ALLOY	BODY NUT	3
PA66 UL94 V0	HOUSING	2
COPPER ALLOY	CONTACT	1

DESCRIPTION	TE PN	ENTRELEC PN
M8-FB-3CON-M8-0.2LA	T4073014031-001	1SET310131R0000
M8-FB-4CON-M8-0.2LA	T4073014041-001	1SET310132R0000

THIS DRAWING IS A CONTROLLED DOCUMENT.	
DIMENSIONS: mm	TOLERANCES UNLESS OTHERWISE SPECIFIED:
	0 PLC ±-
	1 PLC ±0.25
	2 PLC ±0.15
	3 PLC ±
	4 PLC ±
	ANGLES ±
MATERIAL TBD	FINISH -

DWN GAVIN WANG 08JUN2021		NAME M8 PANEL CONNECTOR FEMALE SIDE WITH WIRE, FRONT MOUNTING
CHK KEVIN HUANG 08JUN2021		
APVD CHRIS WANG 08JUN2021		
PRODUCT SPEC 108-106140		
APPLICATION SPEC 114-137144-1	SIZE A3	CAGE CODE -
WEIGHT -	DRAWING NO C=1SET310P04R0000	RESTRICTED TO -
CUSTOMER DRAWING	SCALE 5:1	SHEET 1 OF 1
		REV A