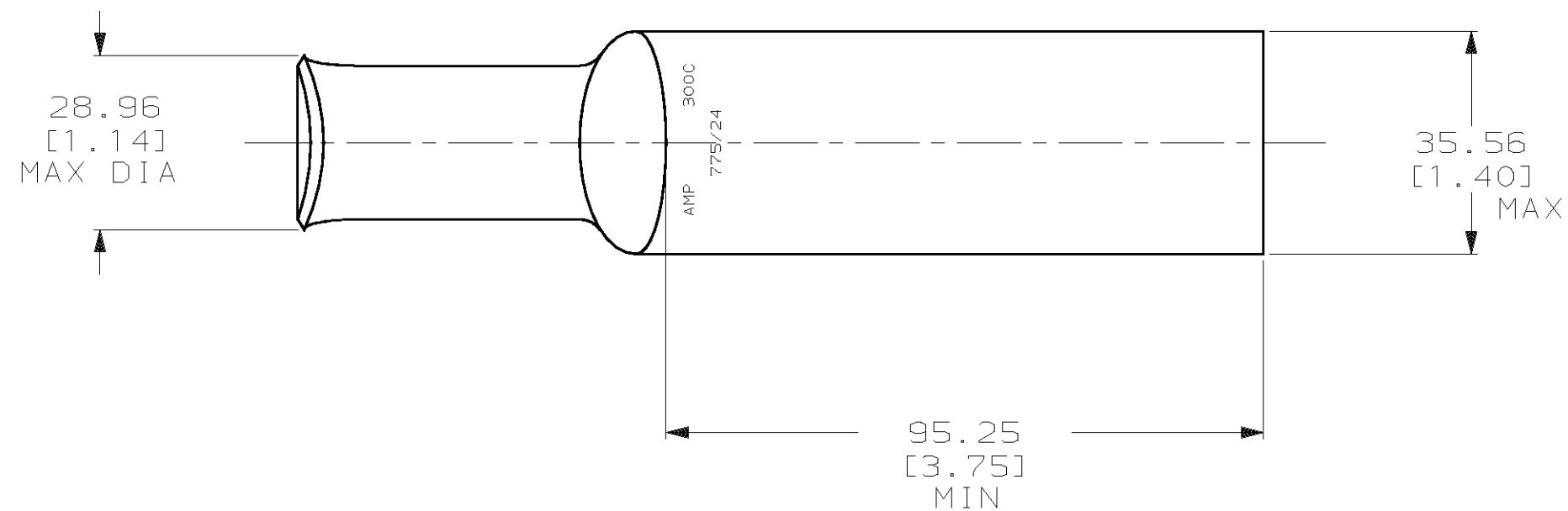
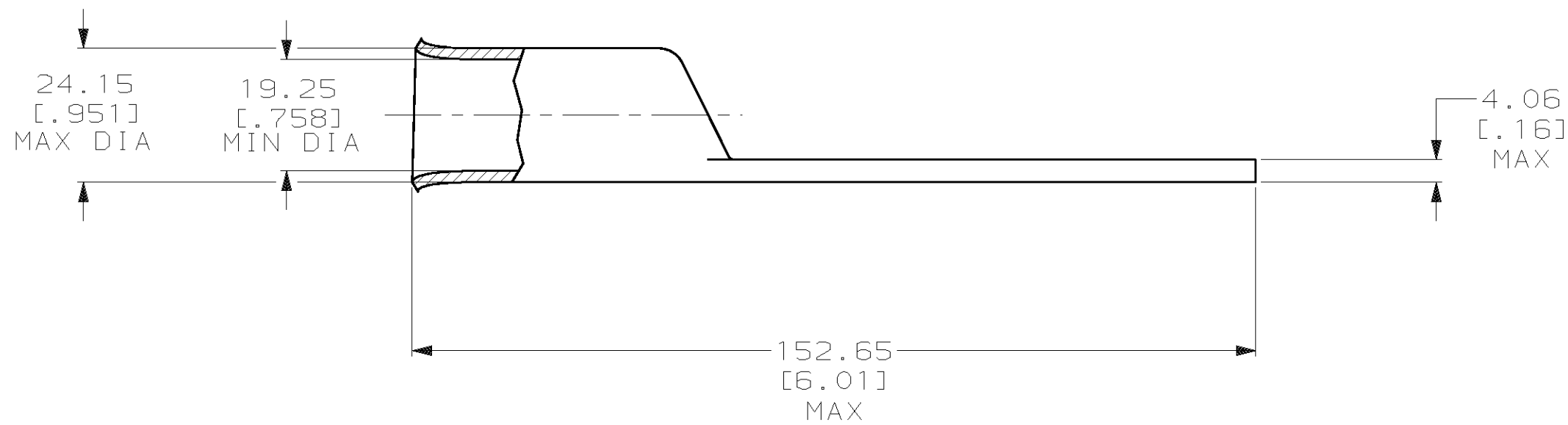


THIS DRAWING IS UNPUBLISHED. RELEASED FOR PUBLICATION ,19 .
 © COPYRIGHT 19 BY AMP INCORPORATED. ALL INTERNATIONAL RIGHTS RESERVED.

LOC		DIST		REVISIONS				DATE	APPD
ZONE	LTR	DESCRIPTION		DATE	APPD				
G	86	P	F	E	REV PER 063A-0561-01	08OCT02	JR		



1 CIRCULAR MIL RANGE: 275-325 MCM
 2 TIN PL 0.00381 [0.00150] MIN THK PER MIL-T-10727



METRIC

DO NOT SCALE PRINT. UNLESS SPECIFIED DIMENSIONS IN mm [INCHES] TOLERANCES ON : 2 PLC DEC ± 0.51 [0.020] 3 PLC DEC ± - ANGLES ± -		DR 02/28/90 DK SCHRUM	325821	
MATERIAL	ANNEALED COPPER ASTM B-75	CHK 23JAN95 MS FEHER	PART NO	
FINISH	2	APPD 23JAN95 WJ VOCKROTH	AMP AMP INCORPORATED Harrisburg, Pa. 17105	
APPLICATION SPEC	-	APPD 23JAN95 TL SHUTTER	NAME	
WEIGHT	.369 LB	PRODUCT SPEC 108-30200	TERMINAL, AMPPOWER™ WIRE SIZE: 300 MCM	
SCALE	1:1	APPLICATION SPEC -	SIZE C	CAGE CODE 00779
			DRAWING NO	325821
			SHEET	1 OF 1