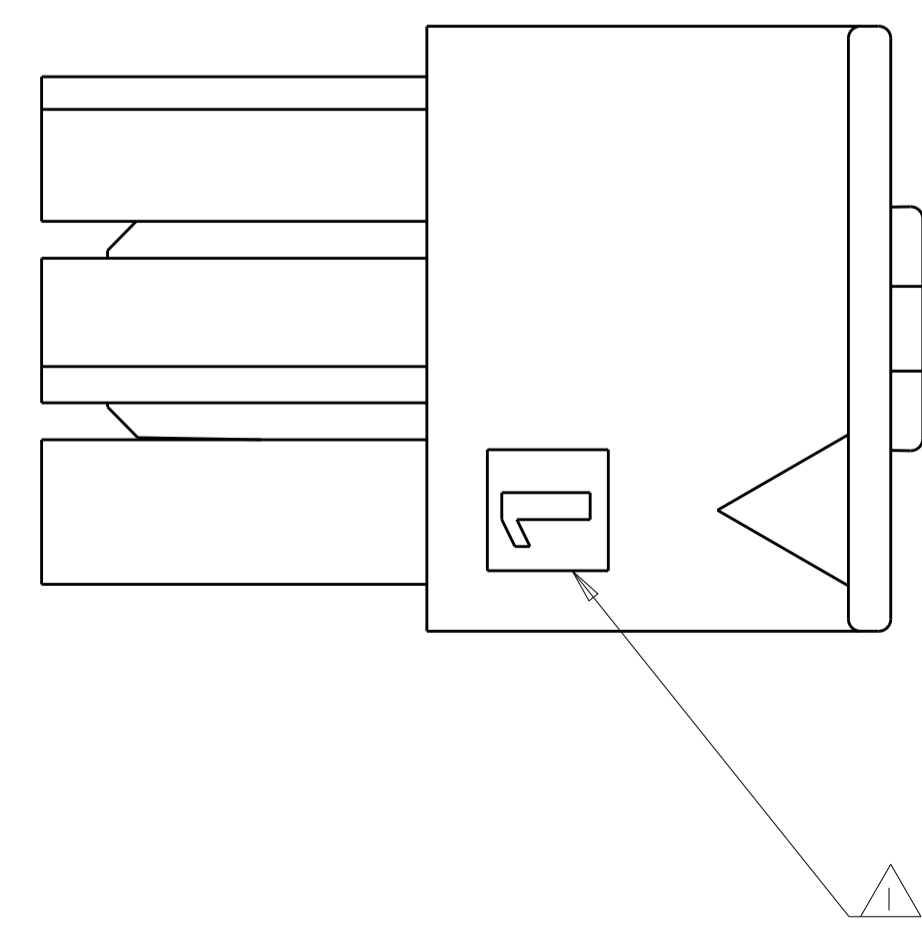
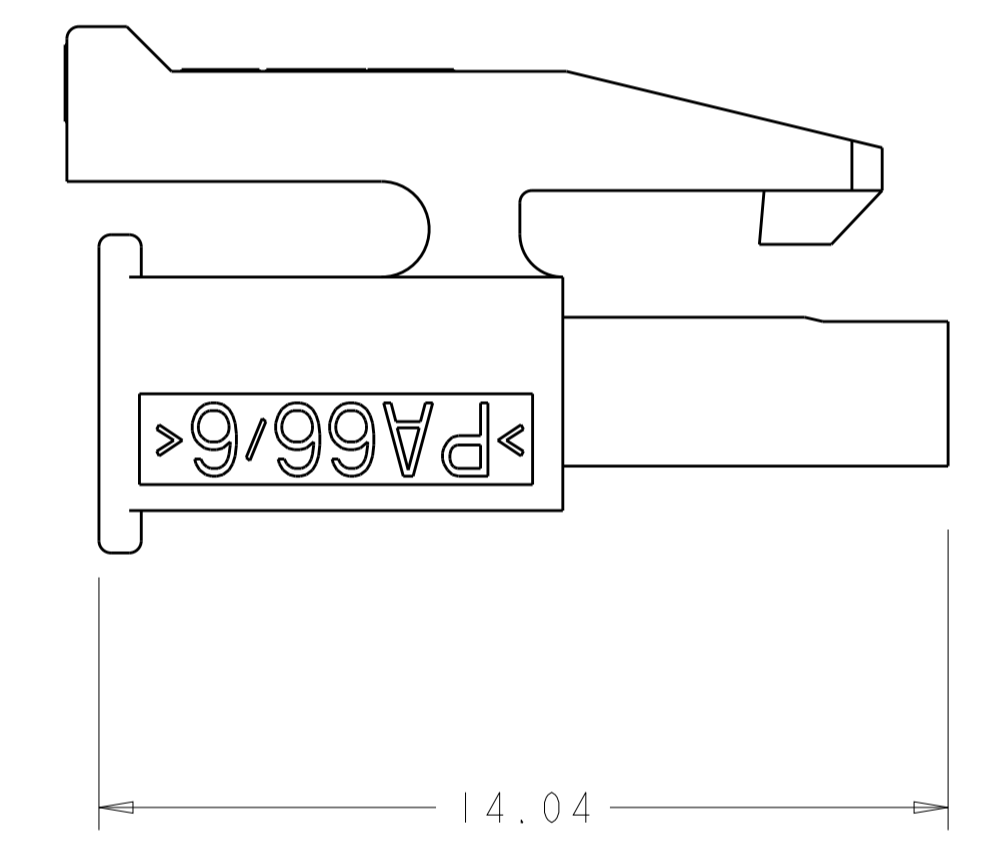
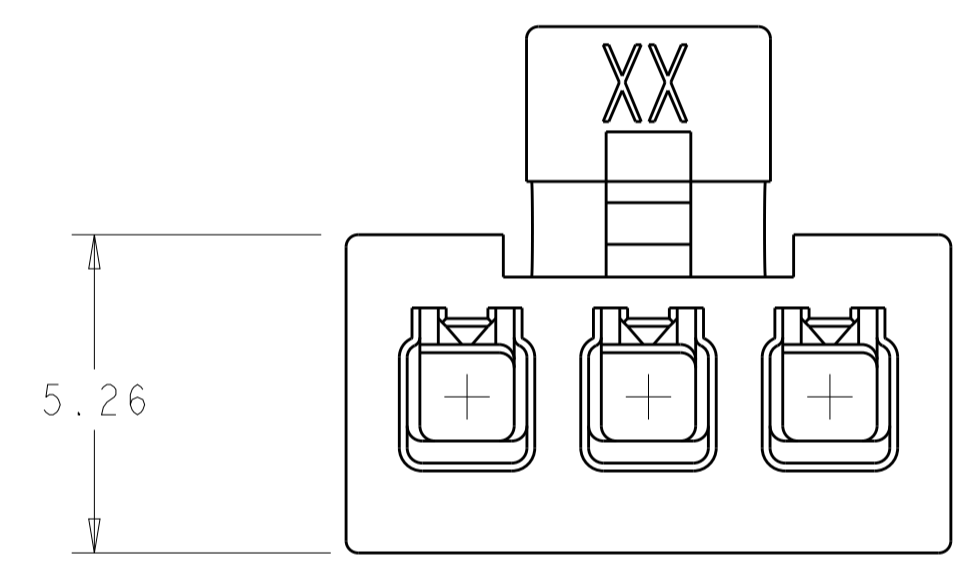
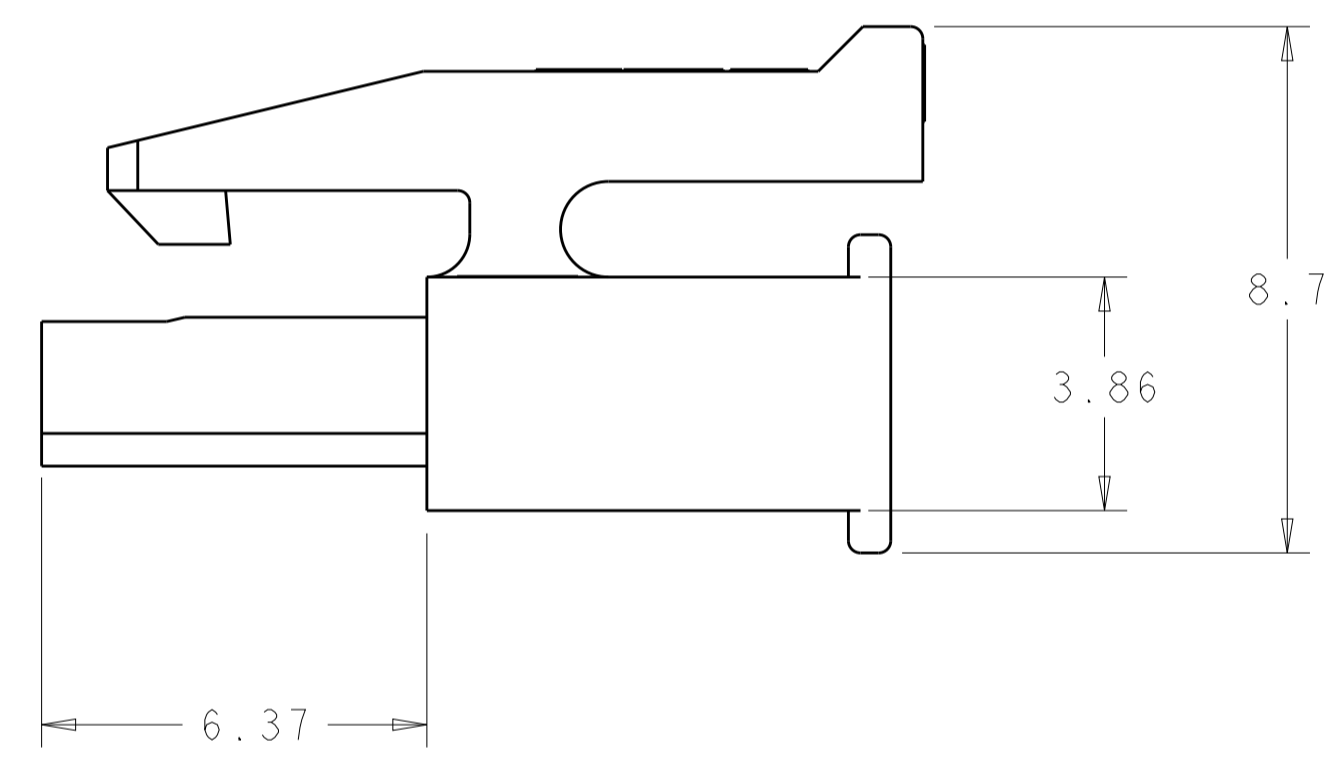
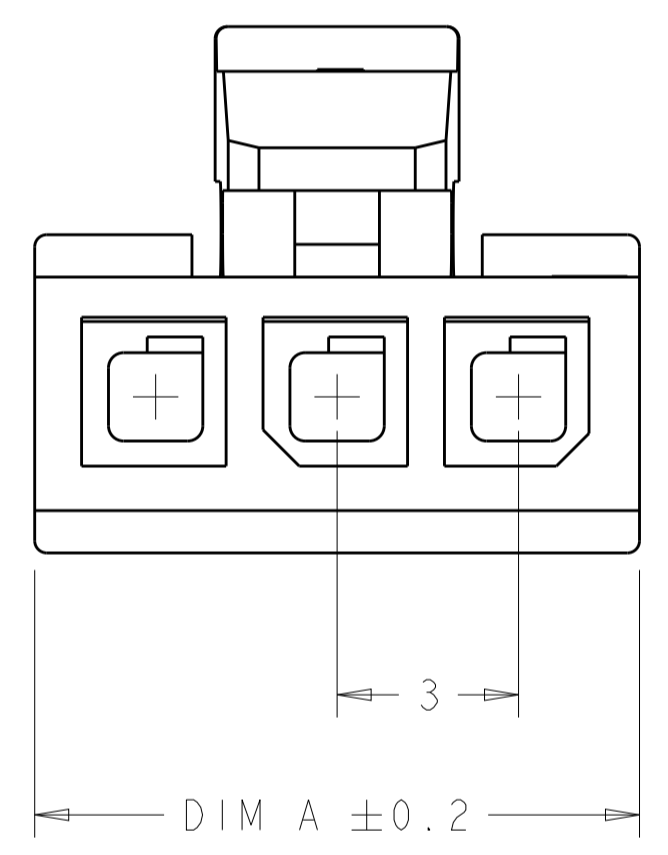
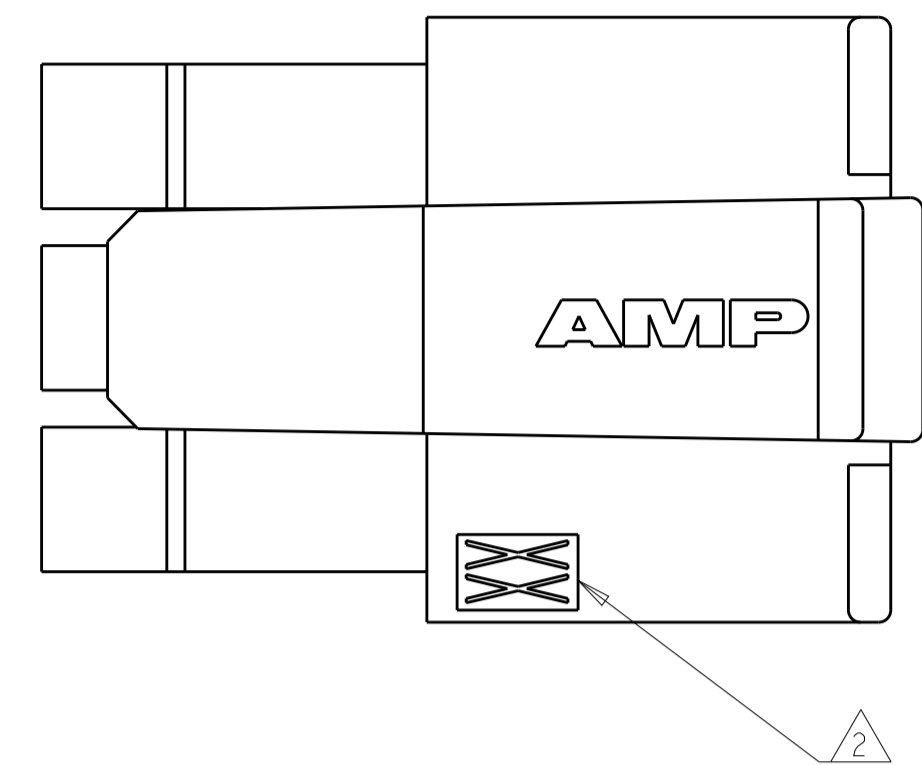


LOC	DIST	REVISIONS					
		P	LTN	DESCRIPTION	DATE	DMN	APVD
CM	00	A	I	ECR 10-022158	03NOV10	JR	TM
		B		ECO-17-000100	03MAR2017	CX	DZ
		B	I	ECO-19-004882	10APR19	AP	WS

⚠️ CIRCUIT 1 IDENTIFIER, LOCATED APPROXIMATELY AS SHOWN.
 ⚠️ LAST CIRCUIT IDENTIFIER, LOCATED APPROXIMATELY AS SHOWN.



VOLUME mm ³	DIM A	NO OF POS.	PART NO.
525.93	16	5	1586047-5
444.06	13	4	1586047-4
363.37	10	3	1586047-3
282.64	7	2	1586047-2

DIMENSIONS: mm 		TOLERANCES UNLESS OTHERWISE SPECIFIED: 0 PLC ± 1 PLC ±0.13 2 PLC ± 3 PLC ± 4 PLC ± ANGLES ±1° FINISH -		DMN K. WHITAKER 06FEB2008 CHK C. JONES 06FEB2008 APVD C. JONES 06FEB2008		Tyco Electronics Harrisburg, PA 17105-3608	
MATERIAL: NYLON, UL94V-0 NATURAL		WEIGHT: -		NAME: RECEPTACLE HOUSING, SINGLE ROW MICRO MATE-L-LOK(TM)		RESTRICTED TO: A	
CUSTOMER DRAWING		SCALE: 8:1		SHEET: 1 OF 1		REV: B1	