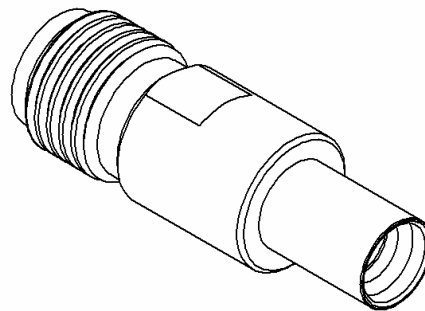
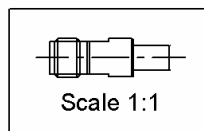
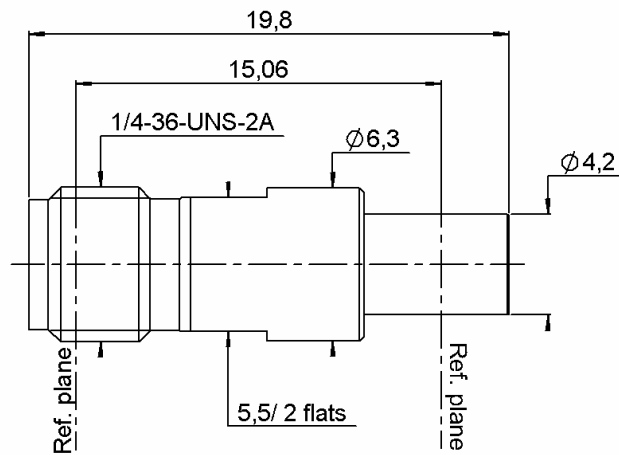


**SMA 2.9 FEMALE - SMP MALE FULL DETENT**

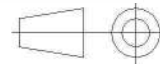
**R191.968.001**

**STRAIGHT ADAPTER - PACK. 100**

Série : ADAPT



All dimensions are in mm.



COMPONENTS	MATERIALS	PLATINGS (µm)
BODY	-	PASSIVATED
CENTER CONTACT	BERYLLIUM COPPER	GOLD 1.27 OVER NICKEL 1.27
OUTER CONTACT	BRASS	GOLD 0.2 OVER NICKEL 2
INSULATOR	PTFE+KAPTON	
GASKET	-	-
OTHERS PARTS	-	-
-	-	-
-	-	-

Issue : 1026 B

In the effort to improve our products, we reserve the rights to make changes judged to be necessary.



**SMA 2.9 FEMALE - SMP MALE FULL DETENT**

**R191.968.001**

**STRAIGHT ADAPTER - PACK. 100**

Série : ADAPT

**PACKAGING**

**SPECIFICATION**

Standard	Unit	Other
<b>100</b>	<b>'W' option</b>	<b>Contact us</b>

**ELECTRICAL CHARACTERISTICS**

**ENVIRONMENTAL**

Impedance	<b>50</b>	$\Omega$
Frequency	<b>0-40</b>	GHz
VSWR	<b>1.40 + 0,0000</b>	x F(GHz) Maxi
Insertion loss	<b>0.1</b>	$\sqrt{F}$ (GHz) dB Maxi
RF leakage	- ( <b>NA</b> )	- F(GHz)) dB Maxi
Voltage rating	<b>335</b>	Veff Maxi
Dielectric withstanding voltage	<b>500</b>	Veff mini
Insulation resistance	<b>5000</b>	M $\Omega$ mini

Operating	<b>-65/+165</b>	$^{\circ}$ C
Hermetic seal	<b>NA</b>	Atm.cm3/s
Panel leakage	<b>NA</b>	

**MECHANICAL CHARACTERISTICS**

**OTHERS CHARACTERISTICS**

Center contact retention		
Axial force – Mating end	<b>27</b>	N mini
Axial force – Opposite end	<b>27</b>	N mini
Torque	<b>NA</b>	N.cm mini
Recommended torque		
Mating	<b>SMA2.9</b>	<b>0</b> N.cm
	<b>SMP</b>	<b>0</b> N.cm
	-	<b>0</b> N.cm
Panel nut	<b>NA</b>	N.cm
Mating life	<b>100</b>	Cycles mini
Weight	<b>2,7000</b>	g

Issue : 1026 B

In the effort to improve our products, we reserve the rights to make changes judged to be necessary.

