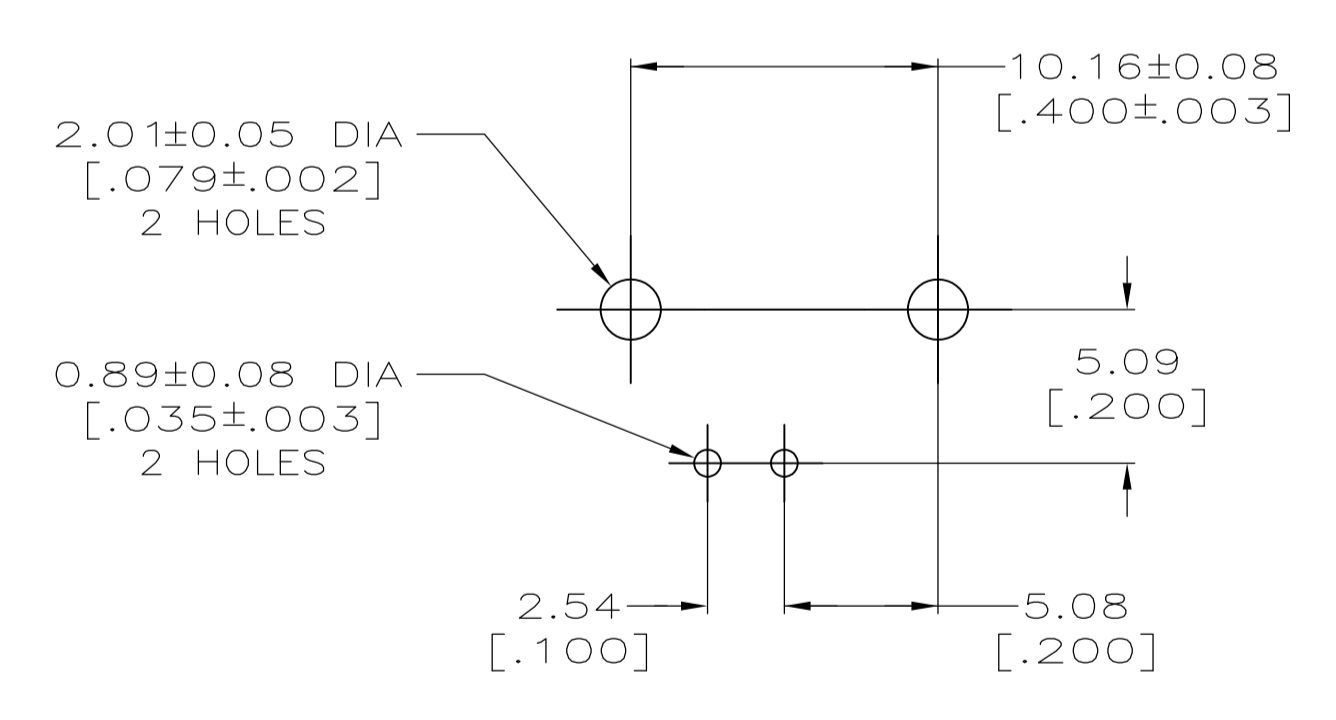
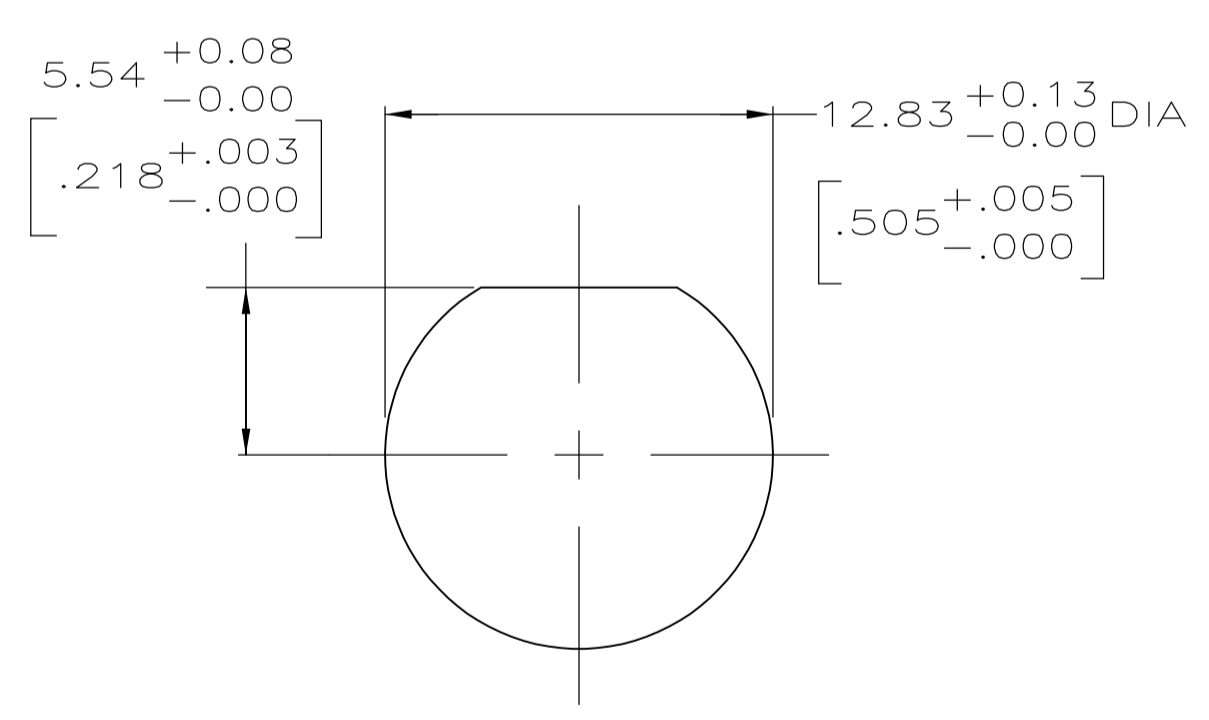
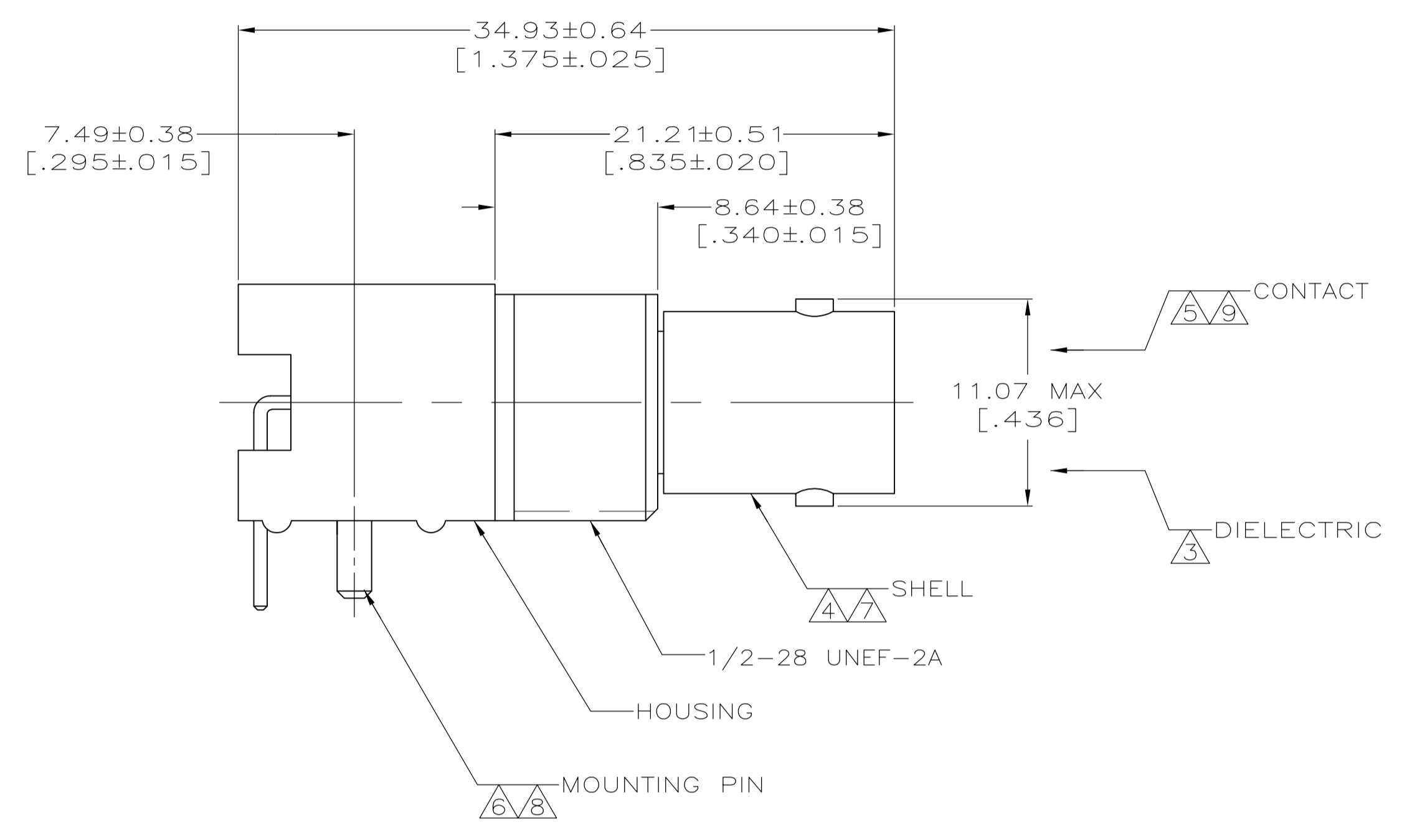
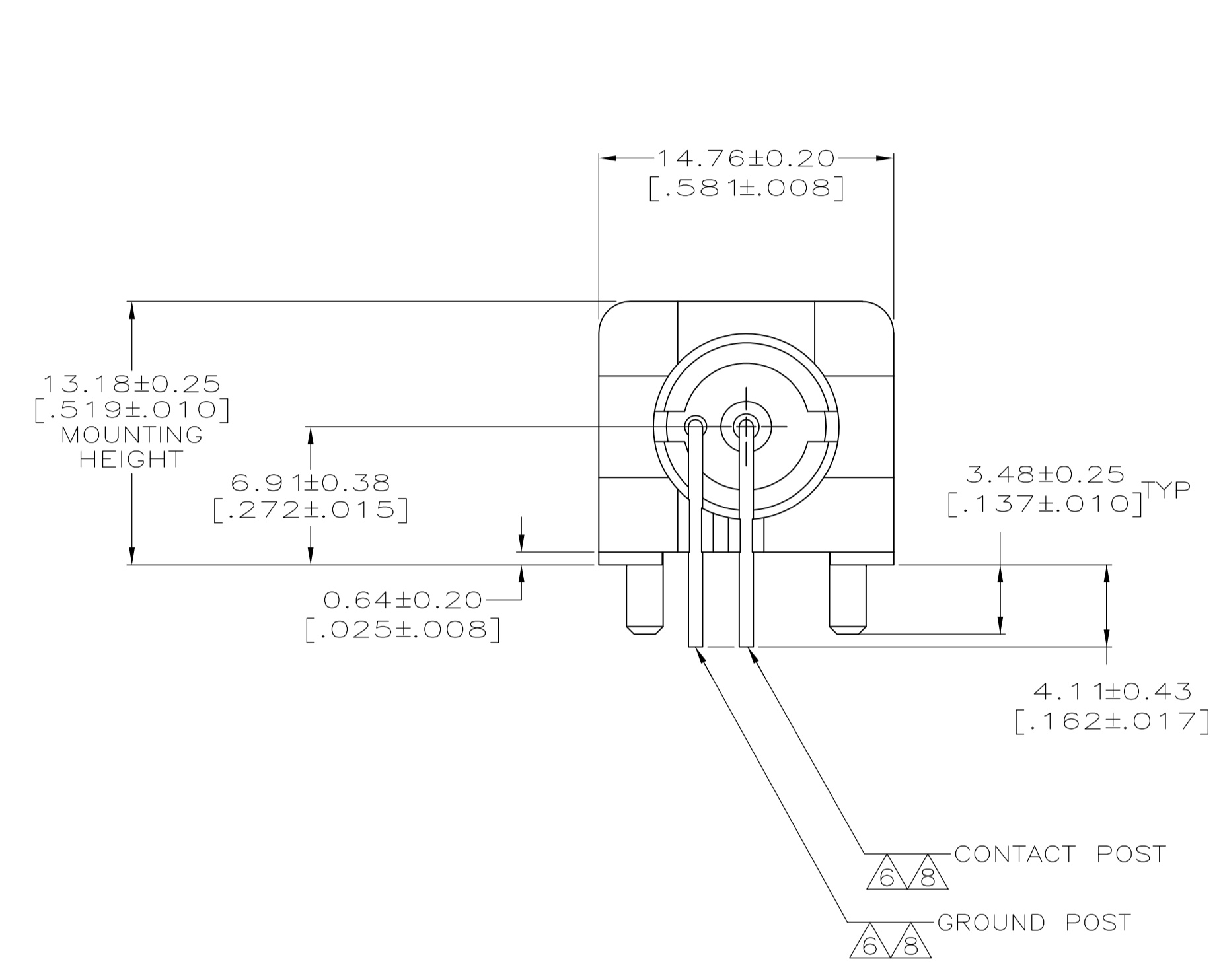


LOC		DIST		REVISIONS			
REV	BY	DATE	DESCRIPTION	DATE	BY	APPV	
AJ		16					
B1			REVISED PER ECO-11-005030	11MAR11	RK	HMR	

- 1 POLYESTER PBT PER MIL-M-24519, TYPE GPT-15F, UL94V-0 RATED, COLOR:NATURAL
- 2 POLYESTER PBT PER MIL-M-24519, TYPE GPT-15F, UL94V-0 RATED, COLOR:BLACK
- 3 POLYMETHYLPENTENE, GENERAL PURPOSE.
- 4 ZINC PER QQ-Z-363.
- 5 BERYLLIUM COPPER PER QQ-C-530.
- 6 BRASS PER ASTM-B-453.
- 7 NICKEL PLATE PER QQ-N-290
3.81 μm [.000150] MINIMUM THICK.
- 8 TIN PLATE PER ASTM-B-545
3.81 μm [.000150] MINIMUM THICK.
- 9 GOLD PLATE PER ASTM-B-488
0.76 μm [.000030] MINIMUM THICK.
- 10. SEE INSTRUCTION SHEET 408-2769.



RECOMMENDED PANEL CUTOUT

PCB CONFIGURATION

HOUSING MATERIAL	5413194-2
	5413194-1
	PART NO

THIS DRAWING IS A CONTROLLED DOCUMENT.		BIN L. VARELA - DOCKS 21APR2005		CHK J. HAVENER 21APR2005		APVD J. LIPPERT 21APR2005		NAME		STE TE Connectivity	
DIMENSIONS: mm [INCHES]		TOLERANCES UNLESS OTHERWISE SPECIFIED:		PRODUCT SPEC		APPLICATION SPEC		SIZE		RESTRICTED TO	
0 PLC ± -		1 PLC ± -		2 PLC ± 0.06 [.002]		3 PLC ± -		A1		CUSTOMER DRAWING	
MATERIAL SEE NOTES 1-6		FINISH SEE NOTES 7-9		WEIGHT		SCALE 4:1		SHEET 1 OF 1		REV B1	