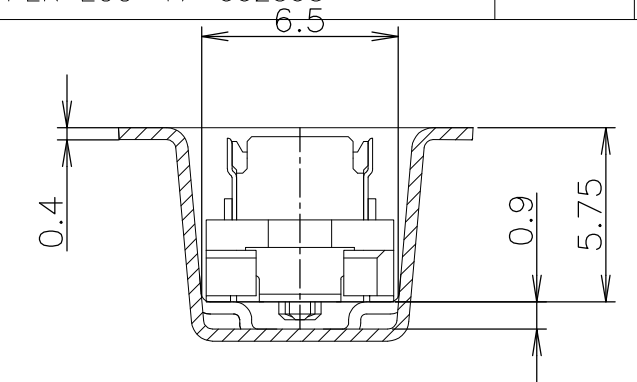
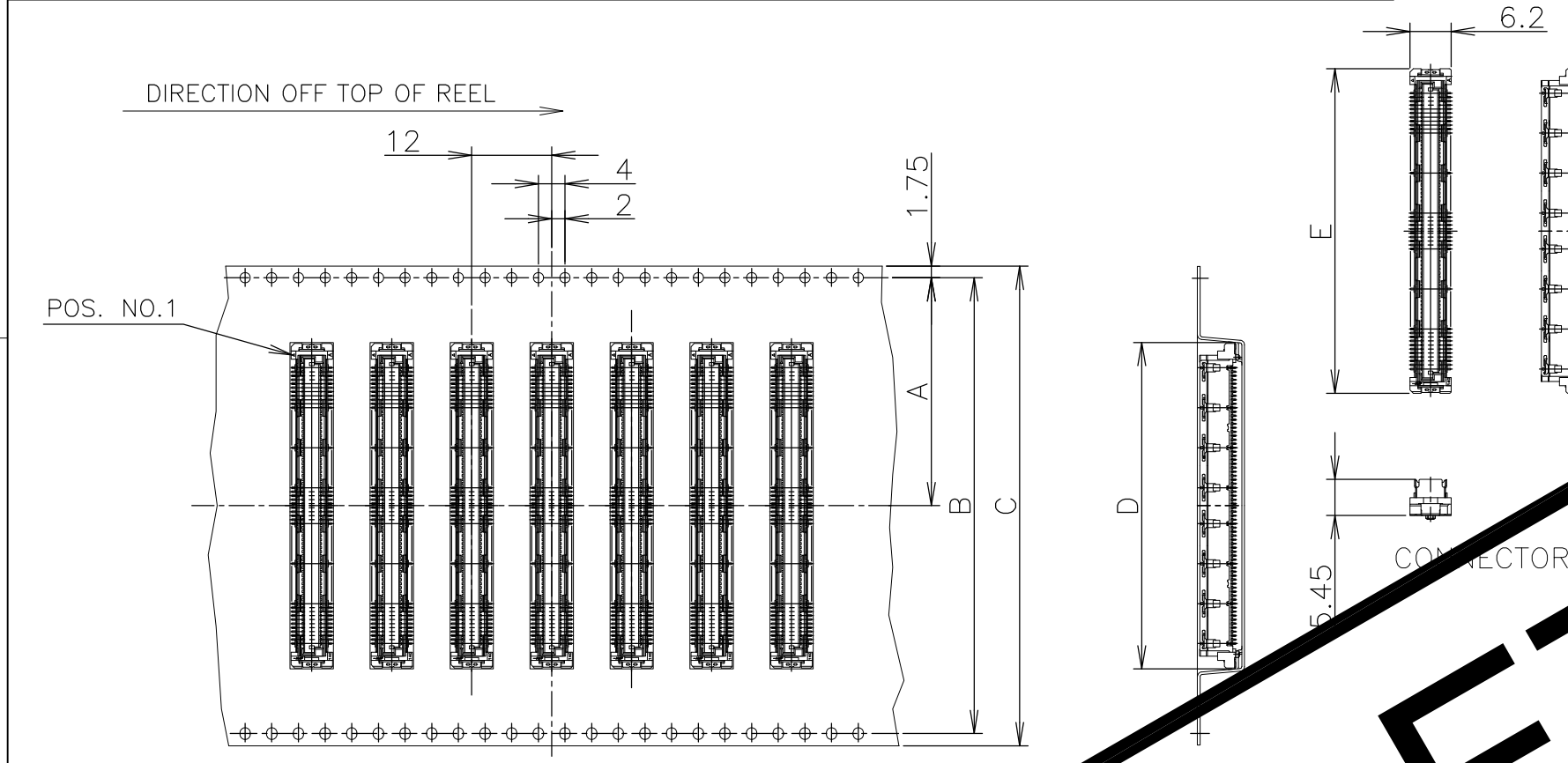
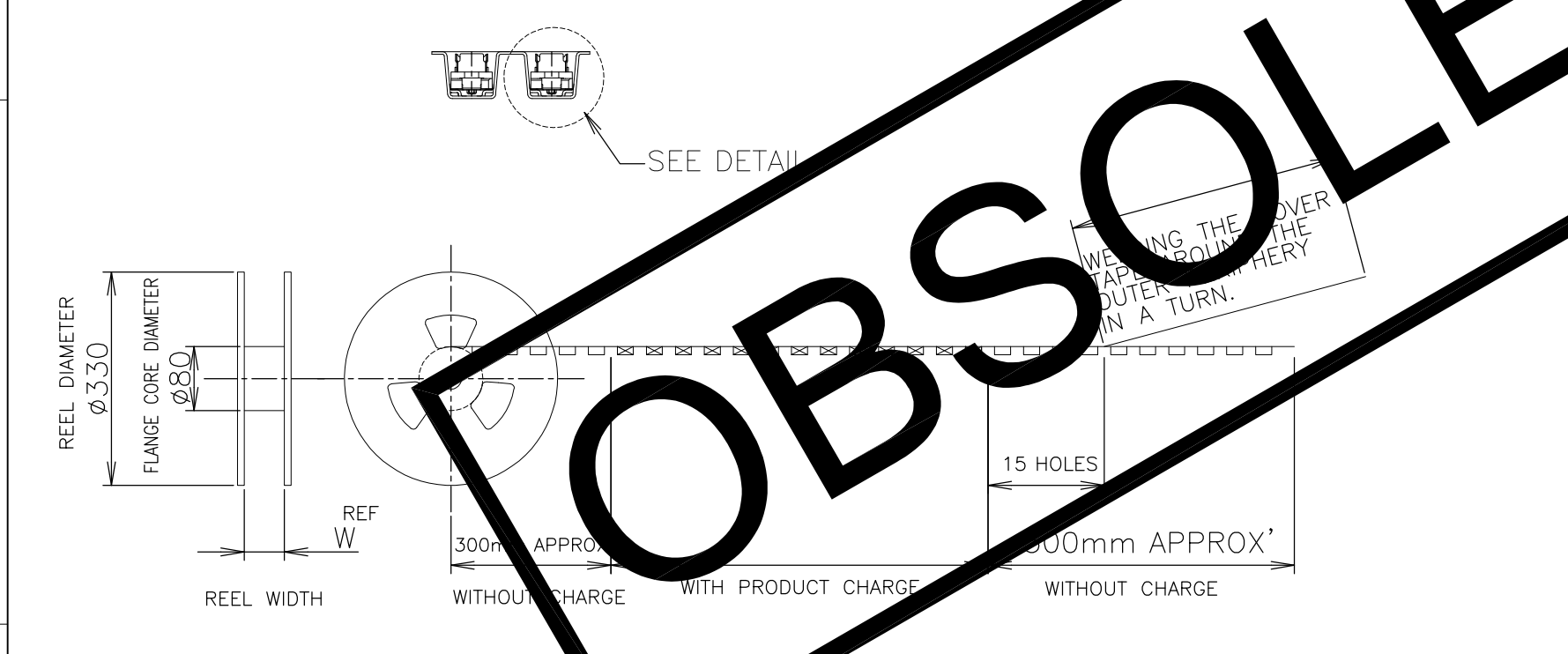


THIS DRAWING IS UNPUBLISHED. RELEASED FOR PUBLICATION APR ,2007.
 © COPYRIGHT 2007 BY TYCO ELECTRONICS CORPORATION. ALL RIGHTS RESERVED.

LOC	DIST	REVISIONS			
P	LTR	DESCRIPTION	DATE	DWN	APVD
J					
	C	REVISED	28JUN07	Y.S	Y.N
	D	REVISED PER ECO-17-002393	25MAY17	B.J	S.Y



OBSOLETE



SEALANT	TOOLING STATUS	QTY.	W	E	D	C	B	A	POS.	PART NO.
NOT AVAILABLE		800	49.5	24.7	25	44	40.4	20.2	60	7-1981982-4
NOT AVAILABLE			77.5	54.7	55	72	68.4	34.2	160	6-1981982-1
			77.5	48.7	49	72	68.4	34.2	140	6-1981982-0
			61.5	42.7	43	56	52.4	26.2	120	5-1981982-9
			61.5	36.7	37	56	52.4	26.2	100	5-1981982-8
			61.5	33.7	34	56	52.4	26.2	90	5-1981982-7
			49.5	30.7	31	44	40.4	20.2	80	5-1981982-6
			49.5	27.7	28	44	40.4	20.2	70	5-1981982-5
			49.5	24.7	25	44	40.4	20.2	60	5-1981982-4
			37.5	21.7	22	32	28.4	14.2	50	5-1981982-3
			37.5	18.7	19	32	28.4	14.2	40	5-1981982-2
NOT AVAILABLE		800	29.5	15.7	16	24	11.5		30	5-1981982-1
		800	49.5	24.7	25	44	40.4	20.2	60	2-1981982-4
			77.5	54.7	55	72	68.4	34.2	160	1-1981982-1
			77.5	48.7	49	72	68.4	34.2	140	1-1981982-0
			61.5	42.7	43	56	52.4	26.2	120	1-1981982-9
			61.5	36.7	37	56	52.4	26.2	100	1-1981982-8
NOT AVAILABLE		800	61.5	33.7	34	56	52.4	26.2	90	1-1981982-7
			49.5	27.7	28	44	40.4	20.2	70	1-1981982-6
			49.5	24.7	25	44	40.4	20.2	60	1-1981982-5
			37.5	21.7	22	32	28.4	14.2	50	1-1981982-4
			37.5	18.7	19	32	28.4	14.2	40	1-1981982-3
NOT AVAILABLE		800	29.5	15.7	16	24	11.5		30	1-1981982-2
NOT AVAILABLE		800	29.5	15.7	16	24	11.5		30	1981982-1

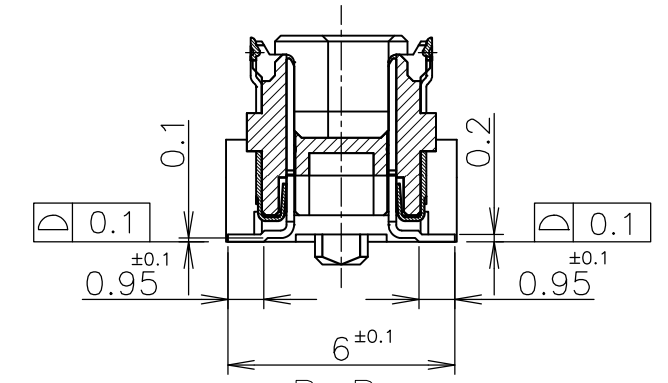
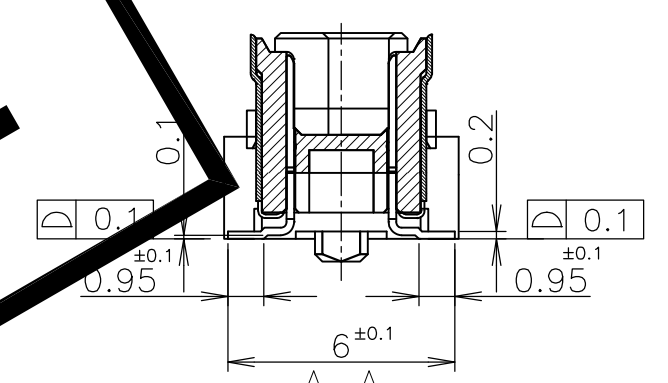
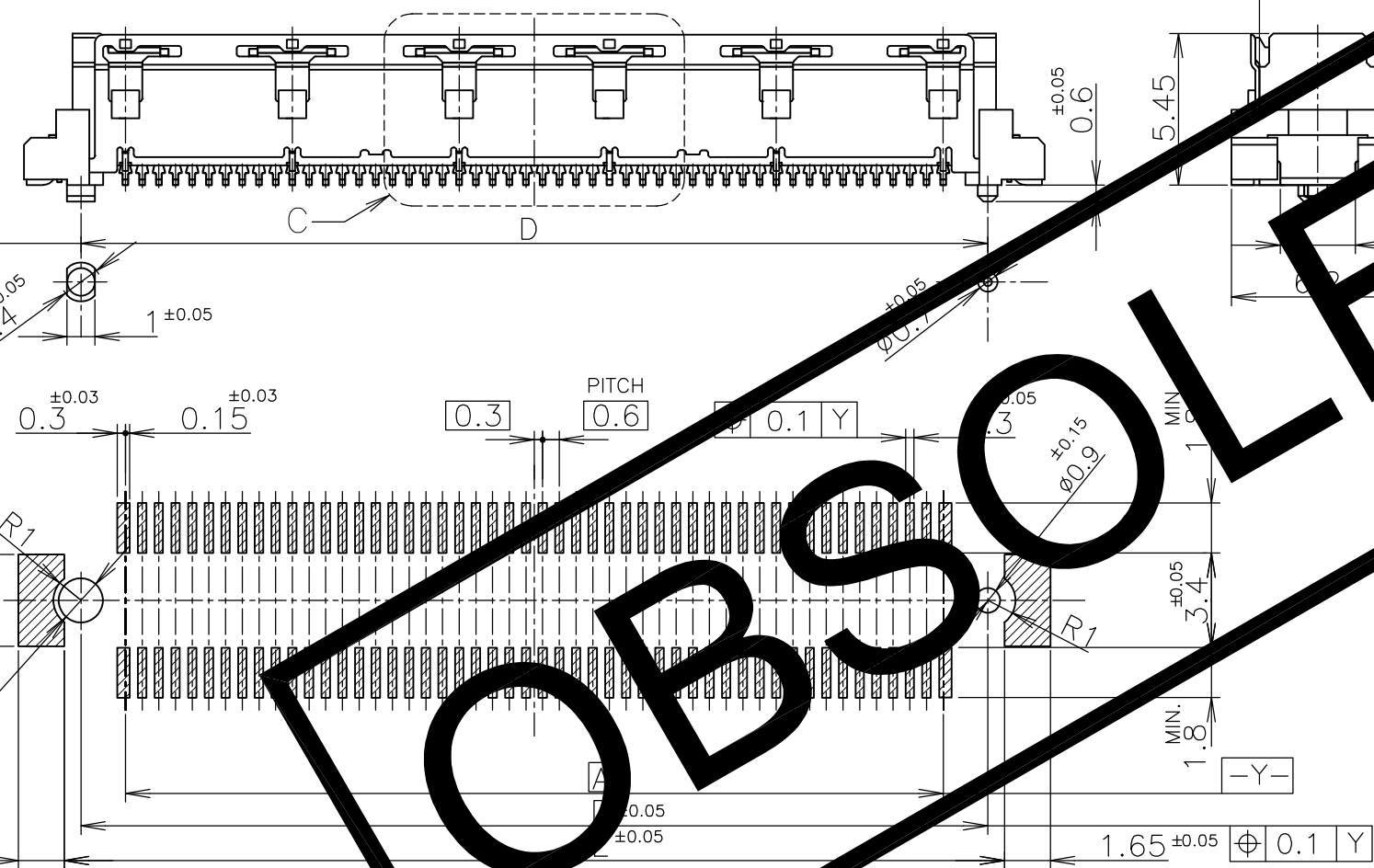
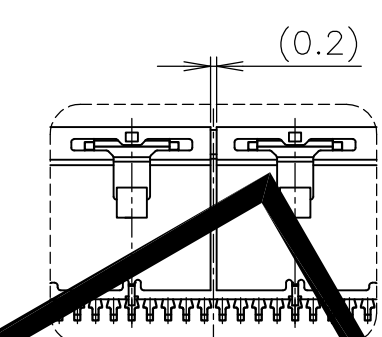
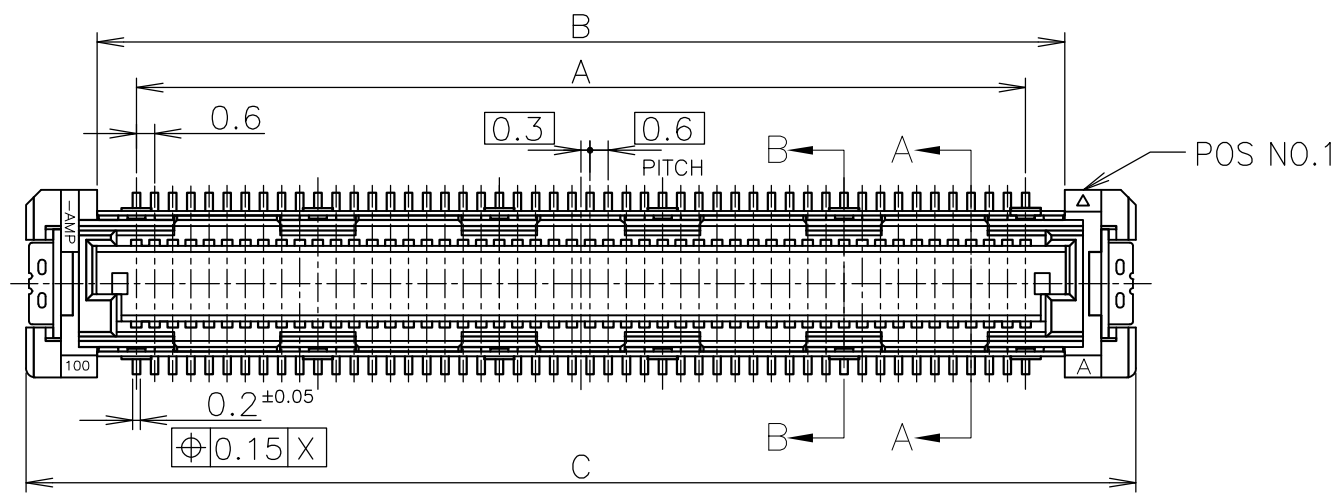
- ① THIS PRODUCT WAS COATED BY FLUX-PENETRATION-INHIBITING AGENT.
- ② HOUSING COLOR : NATURAL
- ③ HOUSING COLOR : BLACK

THIS DRAWING IS A CONTROLLED DOCUMENT.

DIMENSIONS: MM	TOLERANCES UNLESS OTHERWISE SPECIFIED:	DWN Y.NAKAZAWA 02APR2007	Tyco Electronics AMP K.K. Kawasaki,japan	
	0 PLC ± 0.2	CHK T.FUTATSUGI 02APR2007	NAME	
	1 PLC ± 0.2	APVD T.FUTATSUGI 02APR2007	EMBOSS ASSY	
	2 PLC ± 0.2	PRODUCT SPEC	FH 0.6BTB CONNECTOR	
	3 PLC ± 0.2	108-60047	PLUG 6H WITH G-PLATE AU-PLATED 0.00076mm	
	4 PLC ± 0.2	114-5255	SIZE	CAGE CODE
	ANGLES ± 5'	WEIGHT	A3	00779
MATERIAL	FINISH	CUSTOMER DRAWING	DRAWING NO	RESTRICTED TO
			G-1981982	
			SCALE 1:1	SHEET 1 OF 3
				REV D

THIS DRAWING IS UNPUBLISHED. RELEASED FOR PUBLICATION APR , 2007.
 © COPYRIGHT 2007 BY TYCO ELECTRONICS CORPORATION. ALL RIGHTS RESERVED.

LOC	DIST	REVISIONS					
J	/	P	LTR	DESCRIPTION	DATE	DWN	APVD
		-	-	SEE SHEET 1	-	-	-



OBSOLETE

RECOMMENDED P.C.BOARD LAYOUT

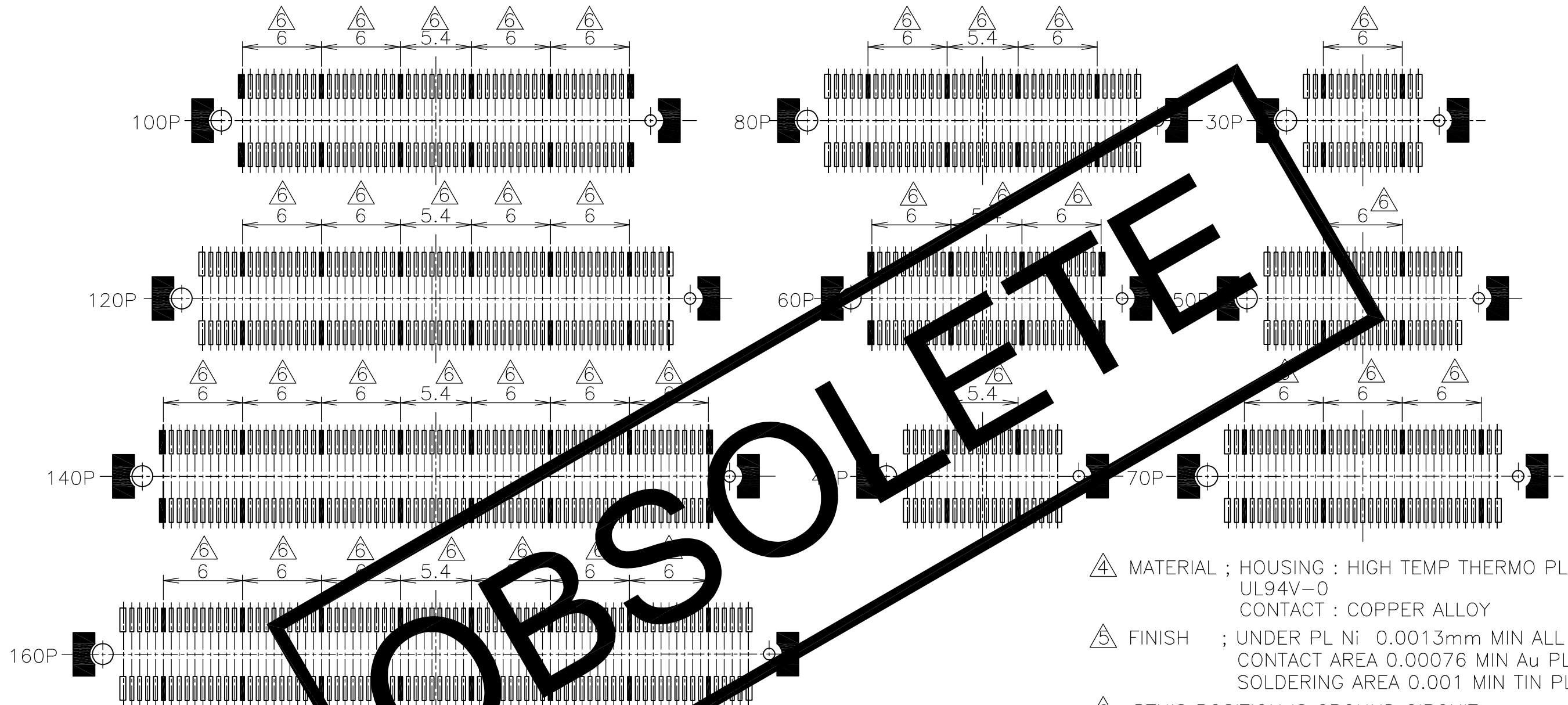
NOT AVAILABLE	21.8	20.6	24.7	20	17.4	60
AVAILABLE	51.8	50.6	54.7	50	47.4	160
NOT AVAILABLE	45.8	44.6	48.7	44	41.4	140
↑	39.8	38.6	42.7	38	35.4	120
	33.8	32.6	36.7	32	29.4	100
	30.8	29.6	33.7	29	26.4	90
	27.8	26.6	30.7	26	23.4	80
	24.8	23.6	27.7	23	20.4	70
	21.8	20.6	24.7	20	17.4	60
	19.8	17.6	21.7	17	14.4	50
	15.8	14.6	18.7	14	11.4	40
NOT AVAILABLE	12.8	11.6	15.7	11	8.4	30
TOOLING STATUS	E	D	C	B	A	POS

GENERAL TOLERANCE
 10 ≥ * : ±0.2
 30 ≥ * > 10 : ±0.25
 100 ≥ * > 30 : ±0.3
 ANGLES : ±3°

THIS DRAWING IS A CONTROLLED DOCUMENT.		DWN	Tyco Electronics Tyco Electronics AMP K.K. Kawasaki, japan			
DIMENSIONS: MM		CHK	NAME			
TOLERANCES UNLESS OTHERWISE SPECIFIED:		APVD	PRODUCT SPEC			
0 PLC ± -		APPLICATION SPEC		EMBOSS ASSY		
1 PLC ± -		WEIGHT		FH 0.6BTB CONNECTOR		
2 PLC ± -		CUSTOMER DRAWING		PLUG 6H WITH G-PLATE AU-PLATED 0.00076mm		
3 PLC ± -		SIZE	CAGE CODE	DRAWING NO	RESTRICTED TO	
4 PLC ± -		A3	00779	C-1981982	-	
ANGLES ± -		SCALE		SHEET		
FINISH		4:1		2 OF 3		
MATERIAL		REV		D		
FINISH		SCALE		SHEET		
FINISH		4:1		2 OF 3		

THIS DRAWING IS UNPUBLISHED. RELEASED FOR PUBLICATION APR , 2007.
 © COPYRIGHT 2007 BY TYCO ELECTRONICS CORPORATION. ALL RIGHTS RESERVED.

LOC		DIST		REVISIONS			
J	/	P	LTR	DESCRIPTION	DATE	DWN	APVD
				SEE SHEET 1	-	-	-



- △ MATERIAL ; HOUSING : HIGH TEMP THERMO PLASTIC UL94V-0
CONTACT : COPPER ALLOY
- △ FINISH ; UNDER PL Ni 0.0013mm MIN ALL OVER.
CONTACT AREA 0.00076 MIN Au PL.
SOLDERING AREA 0.001 MIN TIN PL.
- △ THIS POSITION IS GROUND CIRCUIT.

GENERAL TOLERANCE
 10 ≥ * : ± 0.2
 30 ≥ * > 10 : ± 0.25
 100 ≥ * > 30 : ± 0.3
 ANGLES : ± 3°

THIS DRAWING IS A CONTROLLED DOCUMENT.	
DIMENSIONS: MM	TOLERANCES UNLESS OTHERWISE SPECIFIED:
	0 PLC ± -
	1 PLC ± -
	2 PLC ± -
	3 PLC ± -
	4 PLC ± -
	ANGLES ± -
MATERIAL	FINISH

DWN	CHK	APVD	PRODUCT SPEC	APPLICATION SPEC	WEIGHT	Tyco Electronics AMP K.K. Kawasaki, Japan	
NAME						EMBOSS ASSY	
FH 0.6BTB CONNECTOR						PLUG 6H WITH G-PLATE AU-PLATED 0.00076mm	
SIZE	CAGE CODE	DRAWING NO	RESTRICTED TO				
A3	00779	C-1981982					
CUSTOMER DRAWING				SCALE	SHEET	OF	REV
				3:1	3	3	D