

- 1
- 2
- 3
- 4
- 5
- 6
- 7
- 8
- 9
- 10
- 11
- 12
- 13
- 14
- 15
- 16
- 17
- 18

HANDLE SHANKS

Anodised aluminium in natural colour, semi-glossy sandblasted finish, supplied assembled.

Threaded holes for zinc-plated steel screws and washers, included in the supply.

BAR

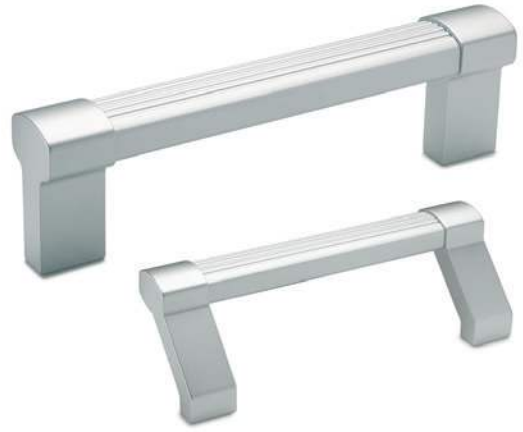
ALUProf® (registered trademark by ALUProf) aluminium. Anodised in natural colour, brushed finish.

STANDARD EXECUTIONS

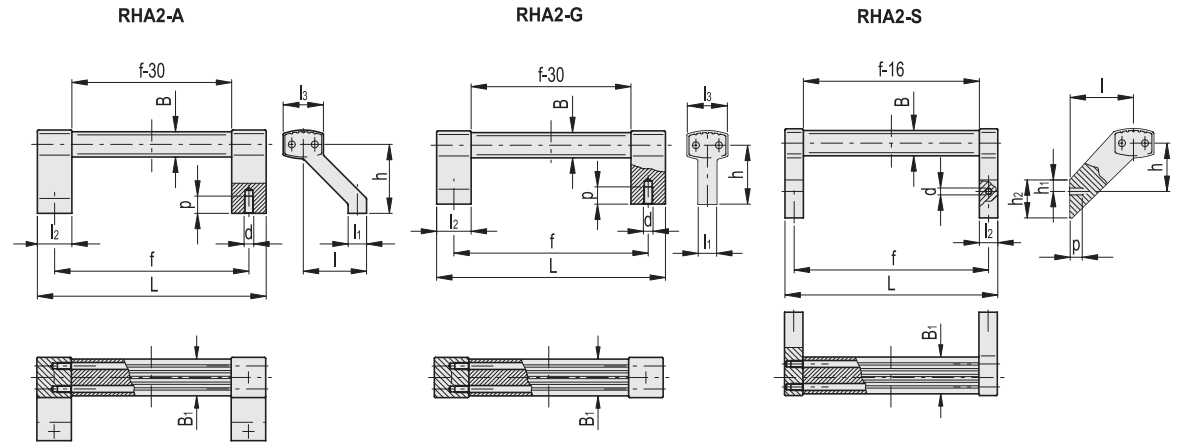
- RHA2-A: folded handle shanks.
- RHA2-G: straight handle shanks.
- RHA2-S: inclined handle shanks.

SPECIAL EXECUTIONS ON REQUEST

- Black or titanium colour bar.
- Different lengths.
- Black handle shanks.



Conversion Table	
1 mm = 0.039 inch	
L	
mm	inch
216	8.50
230	9.05
316	12.44
330	12.99
516	20.31
530	20.87



METRIC

RHA2-A

Code	f	L	d	p	B	B1	h	l	l1	l2	l3	⚖
RHA2-32.A200.N01	200	230	M8	15	22	32	60	55	16	30	35	540
RHA2-32.A300.N01	300	330	M8	15	22	32	60	55	16	30	35	668
RHA2-32.A500.N01	500	530	M8	15	22	32	60	55	16	30	35	959

RHA2-G

Code	f	L	d	p	B	B1	h	l1	l2	l3	⚖
RHA2-32.G200.N01	200	230	M8	15	22	32	55	16	30	35	505
RHA2-32.G300.N01	300	330	M8	15	22	32	55	16	30	35	607
RHA2-32.G500.N01	500	530	M8	15	22	32	55	16	30	35	875

RHA2-S

Code	f	L	d	p	B	B1	h	h1	h2	l	l2	⚖
RHA2-32.S200.N01	200	216	M8	15	22	32	42	10	33	55	16	456
RHA2-32.S300.N01	300	316	M8	15	22	32	42	10	33	55	16	614
RHA2-32.S500.N01	500	516	M8	15	22	32	42	10	33	55	16	866

Lift & Pull handles