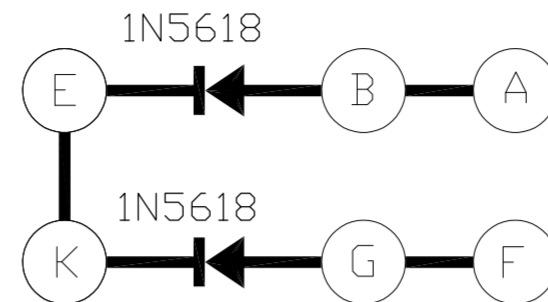
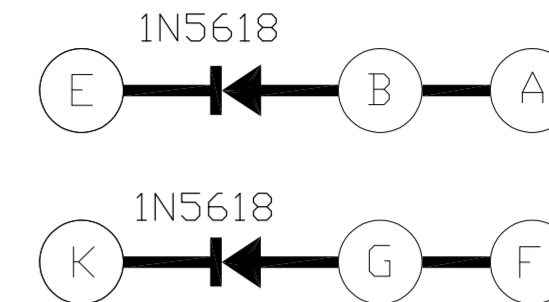


THIS DRAWING IS UNPUBLISHED.		RELEASED FOR PUBLICATION
© COPYRIGHT BY TYCO ELECTRONICS CORPORATION. ALL RIGHTS RESERVED.		
DESCRIPTION	MATERIAL	FINISH
MODULE ASSEMBLY	D.A.P. PER MIL-M-14	COLOR: GREEN
GROMMET	FLUORSILICONE RUBBER PER MIL-T-81714, CLASS B	COLOR: NATURAL
CONTACT SOCKET	BERYLLIUM COPPER PER QQ-C-533	GOLD PLATE PER MIL-G-45204
RETAINING CLIP	BERYLLIUM COPPER PER QQ-C-533 OR STAINLESS STEEL PER QQ-S-766	NONE
DIODES (QTY=2)	1N5618	- -

LOC	DIST	REVISIONS					
DF	AO	P	LTR	DESCRIPTION	DATE	DWN	APVD
		E		REV PER ECD-08-022704	23OCT08	PY	DE

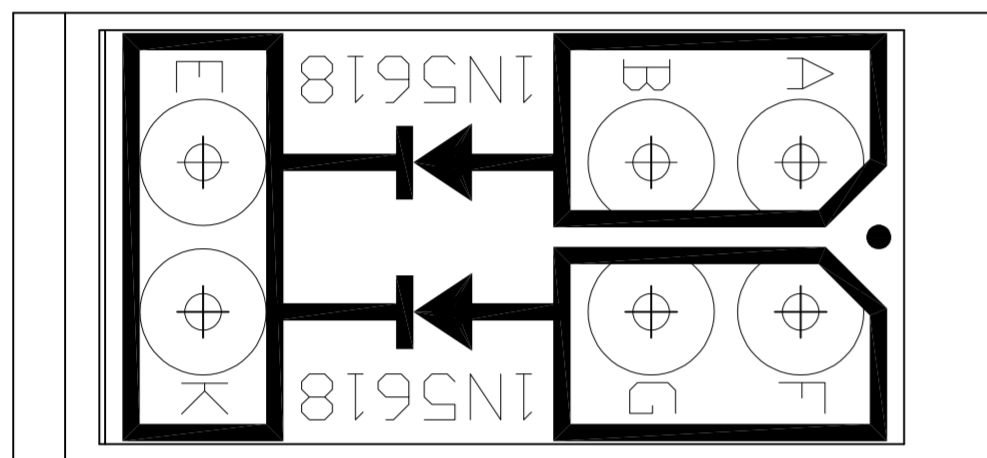


SCHEMATIC FOR -1
SCALE 4:1



SCHEMATIC FOR -2
SCALE 4:1

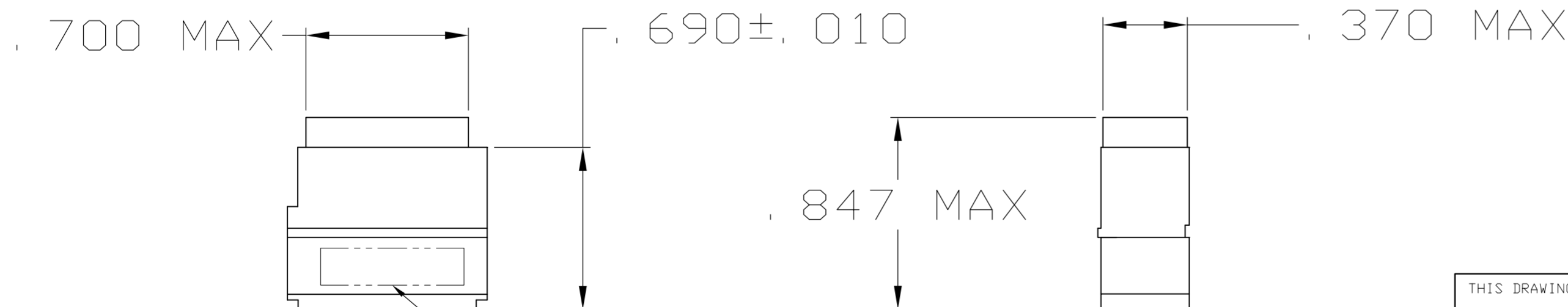
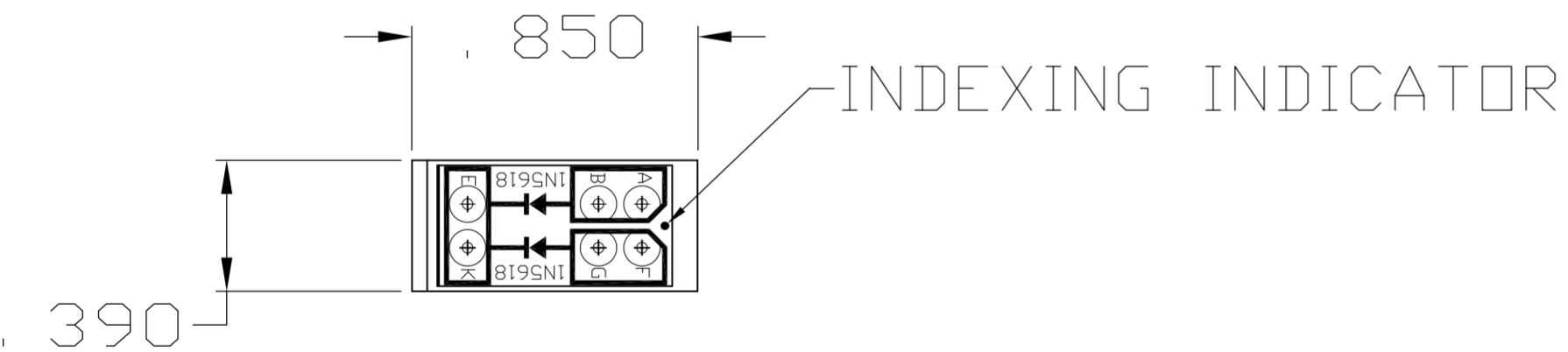
WIRING SCHEMATIC ABOVE DOES NOT DETERMINE MARKING ORIENTATION



MARKING ORIENTATION REF
-1 SHOWN

- MARK MODULE ASSEMBLY WITH "AMP", AMP PART NO. AND DATE CODE .060 MINIMUM HIGH CHARACTERS AT APPROXIMATE AREA SHOWN.
- PIN CONTACTS, SEALING PLUGS AND TOOLS NOT SUPPLIED MUST ORDER SEPARATELY.

ITEMS	AMP P/N	MILITARY P/N
PIN CONTACTS	2-592404-1	M39029/1-101
SEALING PLUGS	592104-1	MS27488-20
TOOLS	592105-1	M81969/14-11
- MODULE MEETS APPLICABLE REQUIREMENTS OF MIL-T-81714 CLASS "B". ENVIRONMENTS CREATED BY OPERATION OF INTERNAL ELECTRIC COMPONENTS WHICH EXCEED THE MODULE RATED PERFORMANCE IS THE RESPONSIBILITY OF THE USER. THE ELECTRONIC COMPONENT SPECIFICATION SHOULD BE CONSULTED.
- DIODE MQ1N5618, MX1N5618 OR MXV1N5618 MAY BE SUBSTITUTED FOR JAN1N5618. DIODES MAY BE A COMMERCIAL DIODE THAT HAS BEEN UP-SCREENED TO MEET THE REQUIREMENTS OF JAN1N5618



FAR SIDE

SEE SCHEMATIC	591817-2
SEE SCHEMATIC	591817-1
PART	PART NO.

THIS DRAWING IS A CONTROLLED DOCUMENT.		DWN 8-26-03 C. C. THOMAS		Tyco Electronics Corporation Harrisburg, Pa 17105-3608	
DIMENSIONS: INCHES		CHK 8-27-03 D. EABY		NAME	
TOLERANCES UNLESS OTHERWISE SPECIFIED:		APVD 8-27-03 D. EABY	PRODUCT SPEC		
0 PLC ± -		APPLICATION SPEC			
1 PLC ± -		WEIGHT -			
2 PLC ± -		SCALE 2:1 SHEET 1 OF 1 REV E			
3 PLC ± .010		CUSTOMER DRAWING			
4 PLC ± -		SIZE CAGE CODE DRAWING NO RESTRICTED TO			
ANGLES ± -		A2 00779 C-591817			
FINISH -					