



- 10/100/1000 Base-T
- Impedance: 100OHMS
- RJ45 jack cavity conforms to FCC rules and regulations Part 68, SUB Part F
- Industrial Temp: -40°C to +85°C
- Contact Factory for Standard Temp.
- Available in other Circuit Designs
- Optional Gold Plating Thickness
- Other LED Patterns available

Electrical Specifications @ 25°C

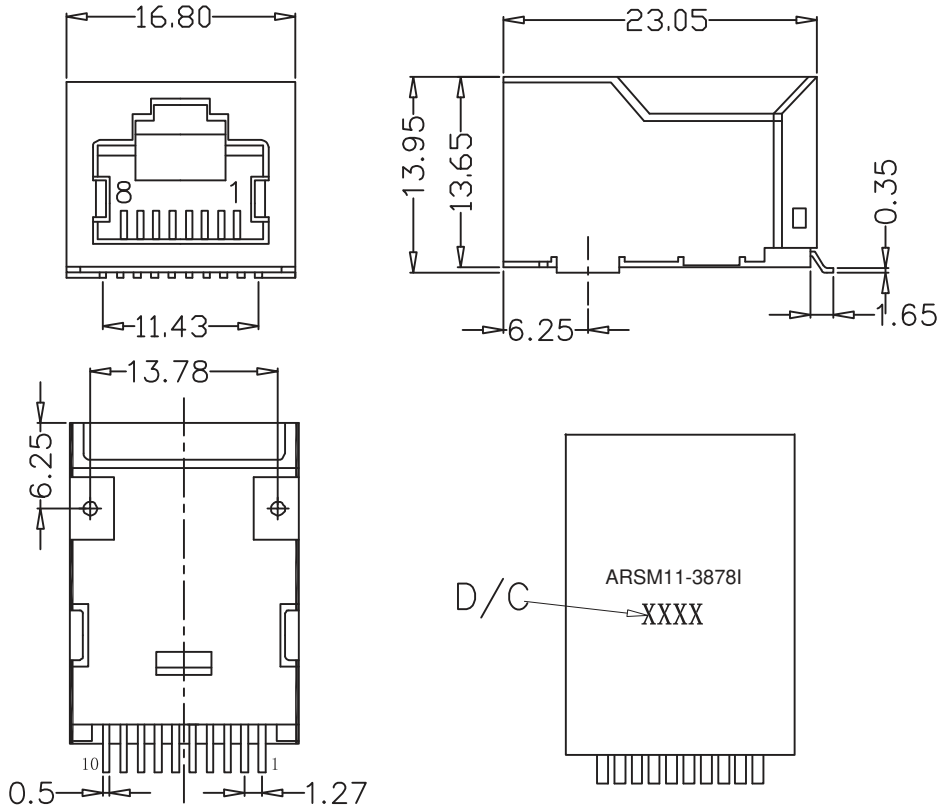
Part Number	OCL(uH Min) @ 100kHz, 0.1V	Turns Ratio chip: cable (±2%)	Cross Talk (dB Min)				Hi-Pot 1.0 mA (V)	
	With 8mA DC Bias		0.5-10MHz	30MHz	50MHz	100MHz	Without Capacitance	With Capacitance
ARSM11-3878I	350	1CT:1CT	-1.0	-40	-35	-18	1500	2250

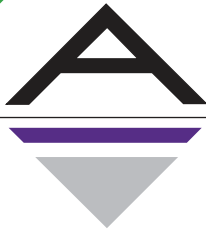
Electrical Specifications @ 25°C

Part Number	Insertion Loss (dB Max)		Return Loss (dB Min) @ Load 100 Ohm					CMR (dB Min)
	1-100MHz	100-125MHz(10/100/1000)	1-30MHz	30-50MHz	60MHz	60-80MHz	80-100MHz(10/100/1000)	1-100 MHz
ARSM11-3878I	-1.0	-38	-18	-16	-14	-12	-10	-30

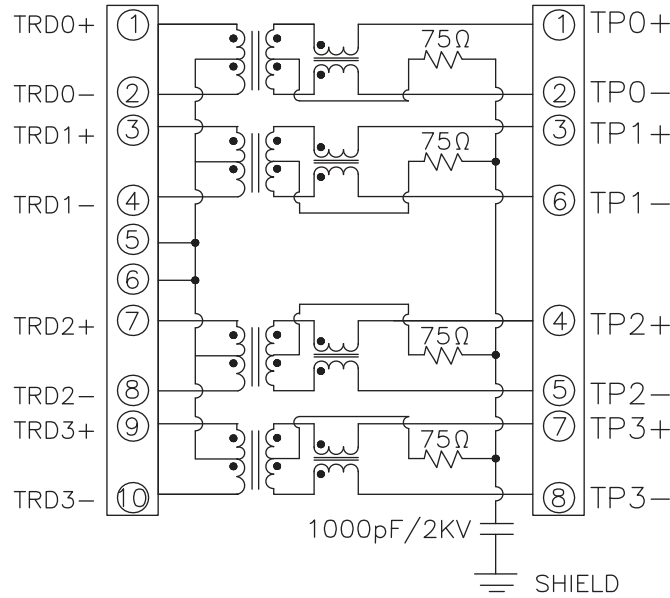
All specifications subject to change without notice.

MECHANICAL

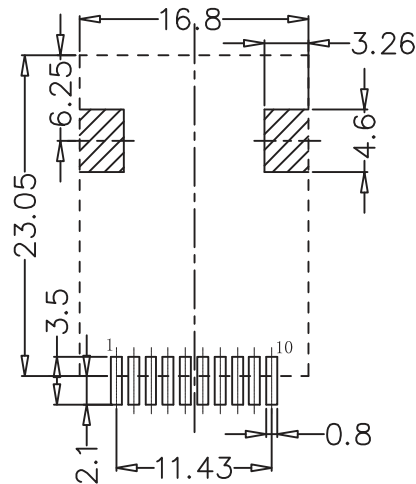




SCHEMATICS



PCB LAYOUT



NOTES

1. Shield- 0.25mm THICKNESS BRASS C2680 H. PLATING NICKEL
2. Housing- Standard Material: FR52, Glass filled Polyester UL94V-0 Standard Color Black.
3. RJ Terminal- Plastic: FR52, UL94V-0, Standard Color Black.
Pin: 0.35mm Thickness Phos-Bronze C5210 EH.
Plating: Nickel 30u"-50u" for all and Sn 100%, and 6u" Gold Plating.
4. Input Terminal: Plastic: FR52, Glass Filled, UL94V-0, Standard Color Black.
Pin: 0.35mm Thickness Phos-Bronze C5191.
Plating: Nickel 30u"-50u" for all and Sn 100%.