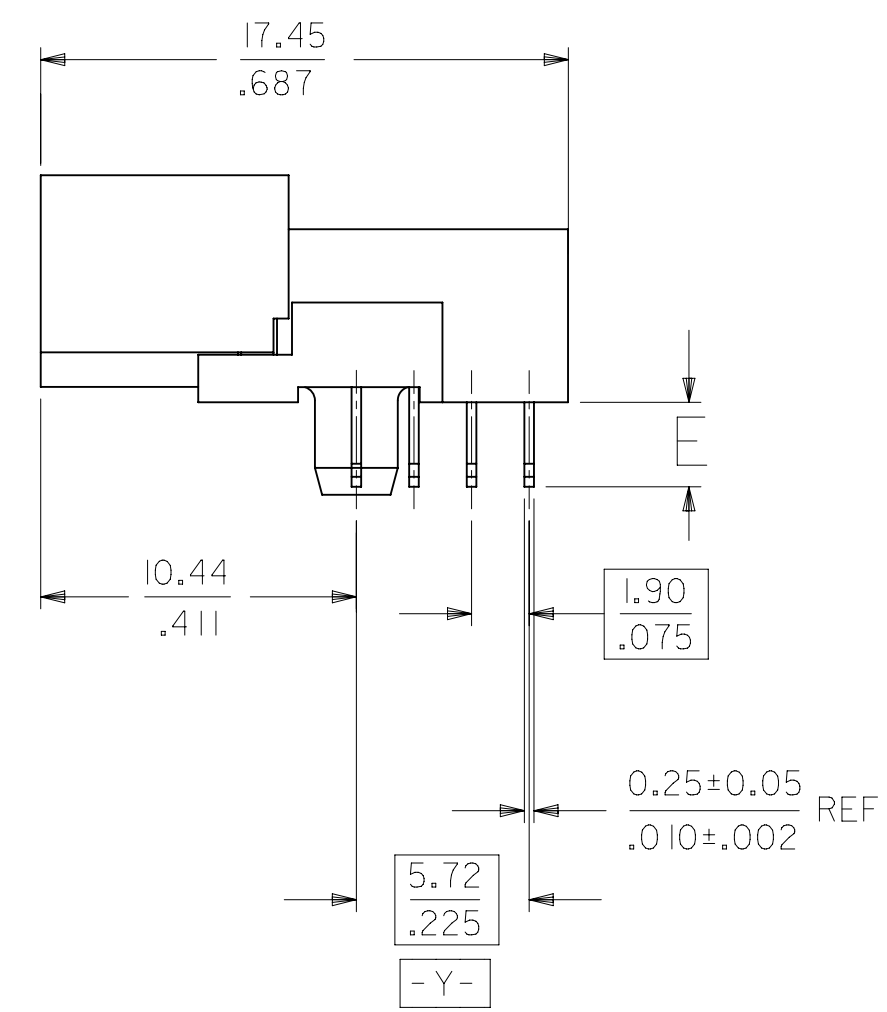
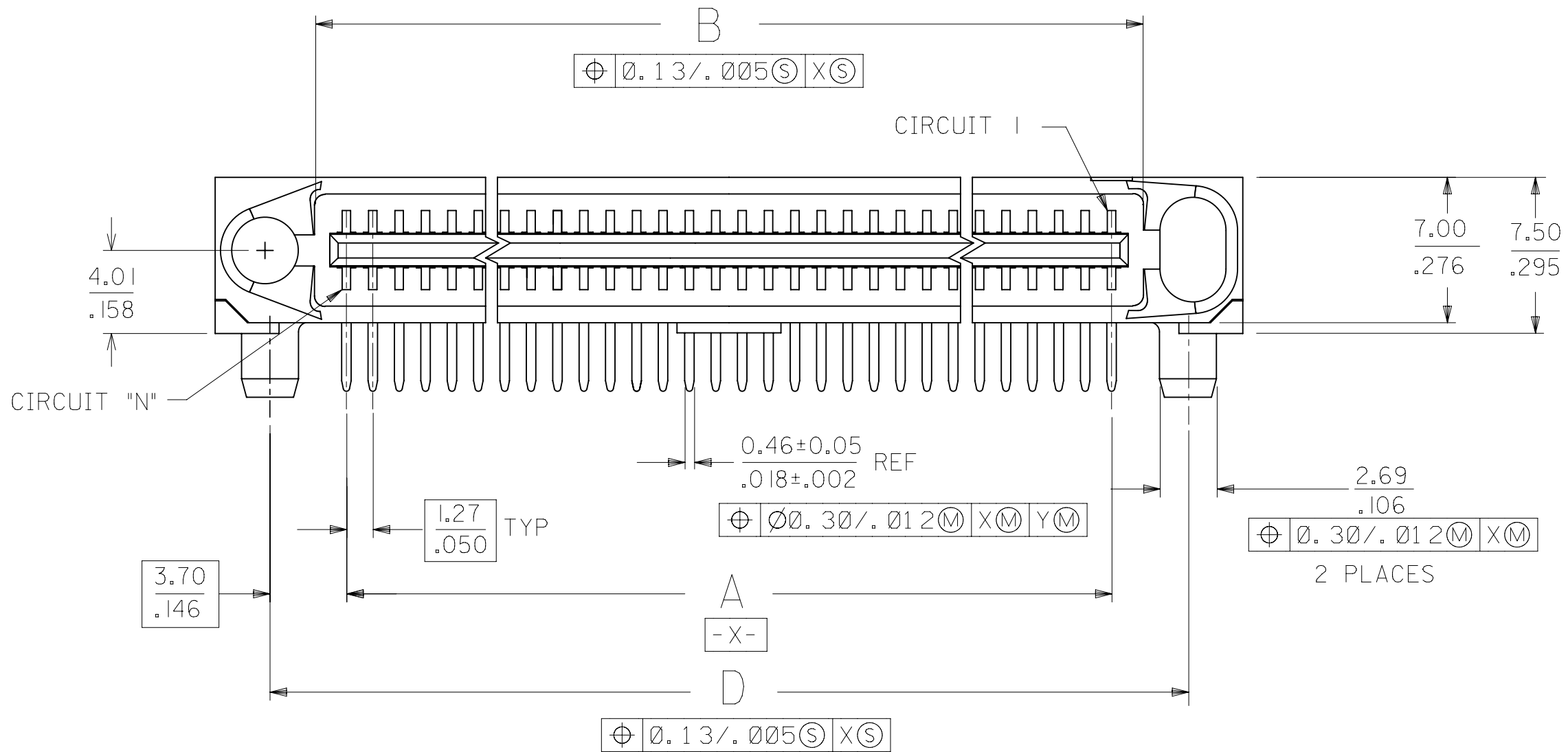
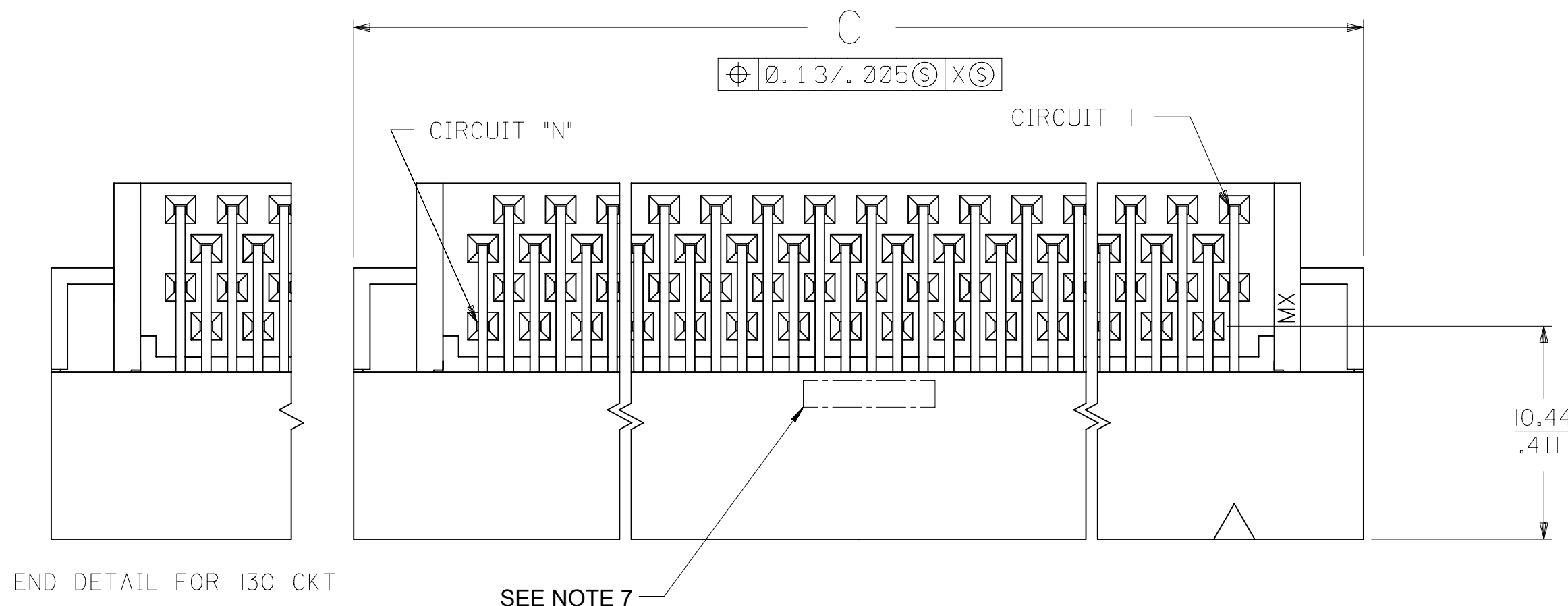
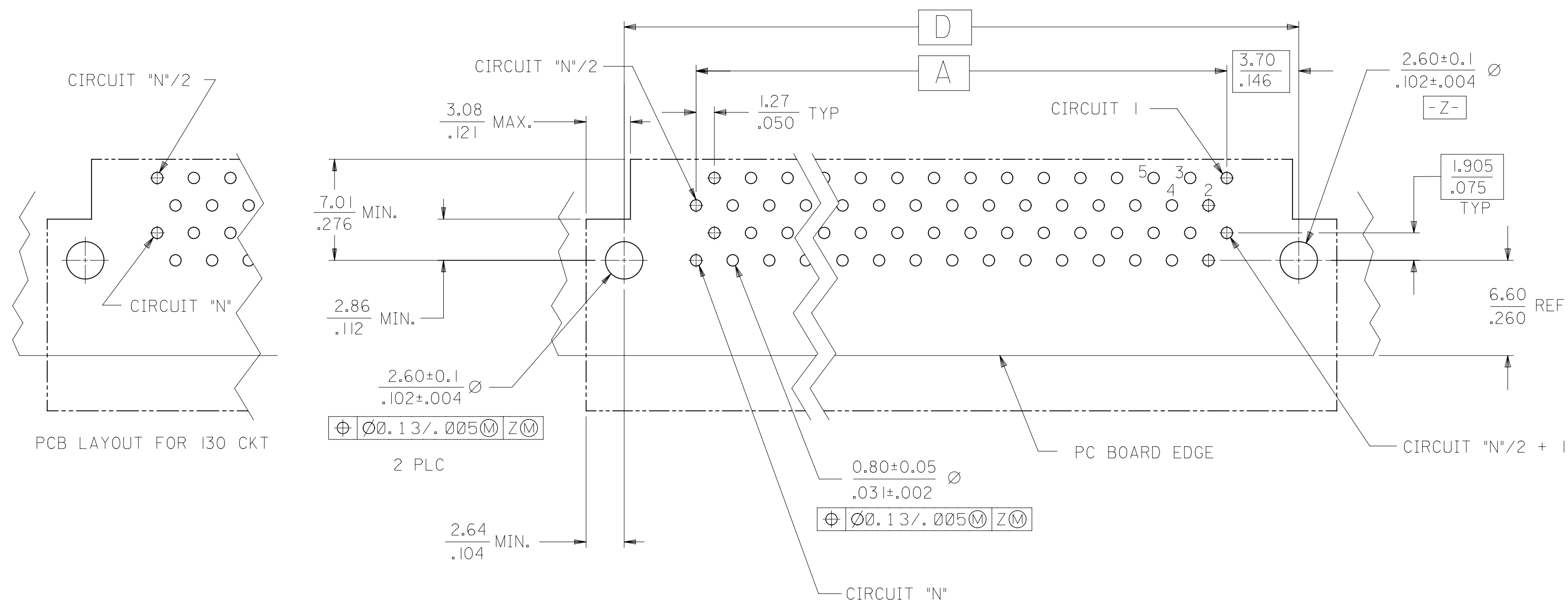


- NOTES:
1. MATERIAL:
HOUSING: LIQUID CRYSTAL POLYMER (LCP), GLASS-FILLED, UL94V-0,
COLOR: BLACK
TERMINALS: BRASS
 2. FINISH:
TERMINAL: 0.76 MICROMETERS/30 MICROINCHES MINIMUM SELECTIVE GOLD
IN CONTACT AREA; 1.27 MICROMETERS/50 MICROINCHES MINIMUM
SELECTIVE TIN IN THE PC TAIL AREA; NICKEL UNDERPLATE OVERALL.
 3. CONFORMS TO PRODUCT SPEC: PS-71660
 4. PRODUCT PACKAGED PER PK-70873-084*
 5. ASSEMBLY MATES WITH MOLEX P/N SDA-71660-7***
 6. RECOMMENDED PC BOARD THICKNESS IS 1.6 MM/.062 IN
 7. FOUR DIGIT DATE CODE (WK.YR.) EXAMPLE 26 96 LOCATED IN AREA SHOWN



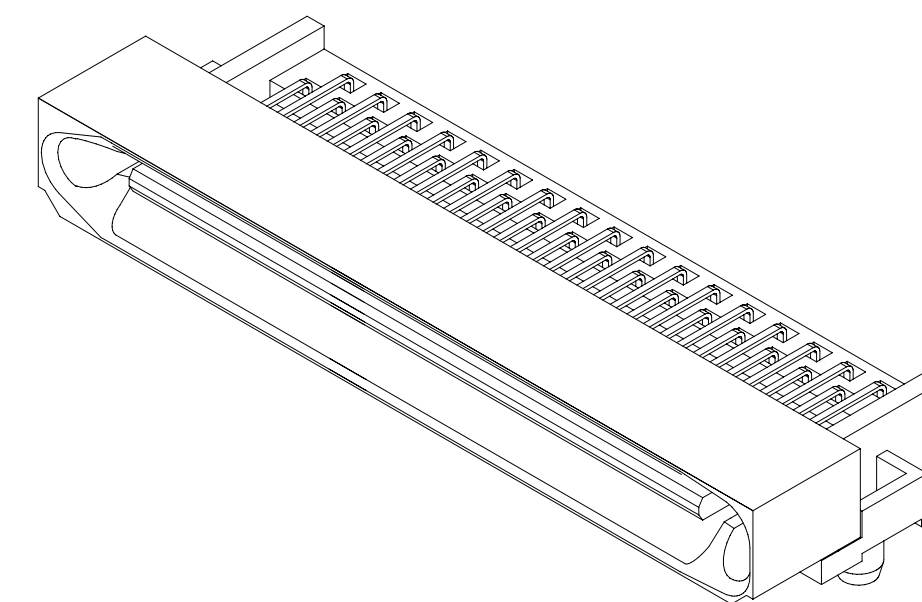
THIS DRAWING CONTAINS INFORMATION THAT IS PROPRIETARY TO MOLEX ELECTRONIC TECHNOLOGIES, LLC AND SHOULD NOT BE USED WITHOUT WRITTEN PERMISSION									
DIMENSION UNITS		SCALE		CURRENT REV DESC: OBSOLETE PART NUMBER					
MM/IN		4:1		<p>molex</p> <p>SALES ASSMBLY EBBI 50D RIGHT ANGLE BLIND MATE PLUG</p> <p>PRODUCT CUSTOMER DRAWING</p> <p>DOCUMENT NUMBER: SDA-71661-25XX DOC TYPE: PSD DOC PART: 001 REVISION: N</p> <p>MATERIAL NUMBER: SEE TABLE CUSTOMER: GENERAL MARKET SHEET NUMBER: 1 OF 2</p>					
GENERAL TOLERANCES (UNLESS SPECIFIED)									
	MM	INCH							
4 PLACES	±	±							
3 PLACES	±	±	0.01						
2 PLACES	±	0.25	±						
1 PLACE	±	±							
0 PLACES	±	±							
ANGULAR TOL		± 0.5 °		INITIAL REVISION:		EC NO: 644856 DRWN: RPRABHUM 2020/07/15 CHK'D: GGA 2020/10/07 APPR: GGA 2020/10/07			
DRAFT WHERE APPLICABLE MUST REMAIN WITHIN DIMENSIONS		THIRD ANGLE PROJECTION		DRAWING		SERIES		DRWN: RAN 1995/04/26 APPR: CAB 1995/04/26	
		C-SIZE		71661					



PCB LAYOUT FOR 130 CKT

RECOMMENDED PC BOARD LAYOUT
COMPONENT SIDE

SEE NOTE 6



68 CIRCUIT ASSEMBLY SHOWN
SCALE 2:1

1.941 (49.31)	2.149 (54.58)	1.770 (44.96)	1.650 (41.91)	.110 (2.79)	68	71661-2568
1.241 (31.53)	1.449 (36.80)	1.070 (27.18)	.950 (24.13)	.110 (2.79)	40	71661-2540
D	C	B	A	E	CKT ("N")	ITEM NUMBER

THIS DRAWING CONTAINS INFORMATION THAT IS PROPRIETARY TO MOLEX ELECTRONIC TECHNOLOGIES, LLC AND SHOULD NOT BE USED WITHOUT WRITTEN PERMISSION									
DIMENSION UNITS MM/IN		SCALE 4:1		CURRENT REV DESC: OBSOLETE PART NUMBER					
GENERAL TOLERANCES (UNLESS SPECIFIED)				molex SALES ASSMBLY EBB1 50D RIGHT ANGLE BLIND MATE PLUG PRODUCT CUSTOMER DRAWING EC NO: 644856 DRWN: RPRABHUM 2020/07/15 CHK'D: GGA 2020/10/07 APPR: GGA 2020/10/07 INITIAL REVISION: DRWN: RAN 1995/04/26 APPR: CAB 1995/04/26					
4 PLACES ±		±							
3 PLACES ±		± 0.01							
2 PLACES ±		0.25 ±							
1 PLACE ±		±							
0 PLACES ±		±		DOCUMENT NUMBER SDA-71661-25XX		DOC TYPE PSD		DOC PART REVISION 001 N	
ANGULAR TOL ± 0.5 °		THIRD ANGLE PROJECTION		DRAWING C-SIZE		SERIES 71661		MATERIAL NUMBER SEE TABLE	
DRAFT WHERE APPLICABLE MUST REMAIN WITHIN DIMENSIONS				CUSTOMER GENERAL MARKET		SHEET NUMBER 2 OF 2			