

4

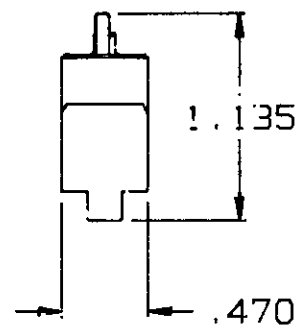
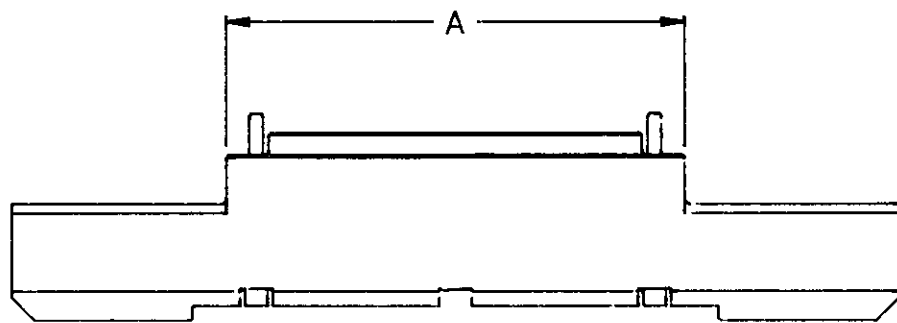
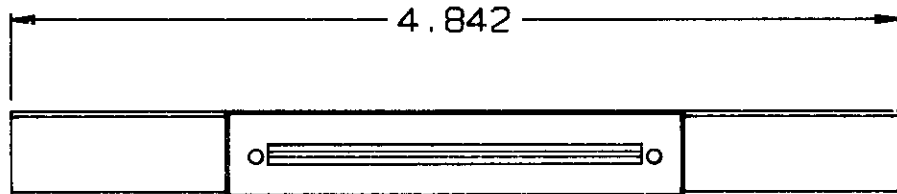
3

2

1

THIS DRAWING IS UNPUBLISHED. RELEASED FOR PUBLICATION .19 .
 © COPYRIGHT 19 BY AMP INCORPORATED. ALL RIGHTS RESERVED.

LOC	DIST	REVISIONS					
		REV	LTR	DESCRIPTION	DATE	OWN	APVD
AD	47		A	REDRAWN PER EC 0430-0037-97	6-13-97	JG	DM



4.000	266	767514-7
3.500	228	767514-6
3.000	190	767514-5
2.500	152	767514-4
2.000	114	767514-3
1.500	76	767514-2
1.000	38	767514-1
A	FOR NO OF POSITIONS	PART NUMBER

THIS DRAWING IS A CONTROLLED DOCUMENT.		OWN J. GERACE 6-13-97	AMP Incorporated Harrisburg, PA 17105-3608
DIMENSIONS: INCHES		DESIGNED BY: D. MCKNIGHT 6-13-97 APPROVED BY: A. MONK 6-13-97	
TOLERANCES UNLESS OTHERWISE SPECIFIED: 0 P/LC ±. 1 P/LC ±. 2 P/LC ±. 3 P/LC ±.010 4 P/LC ±. ANGLES ±. MATERIAL: ALUMINUM FINISH: NICKEL		PRODUCT SPEC: - APPLICATION SPEC: - WEIGHT: - CUSTOMER DRAWING	NAME: SINGLE INSERTER, PLUG, MICRO SIZE: A3 CAGE CODE: 00779 DRAWING NO: ©-767514 SCALE: 1:1 SHEET: 1 OF 1 REV: A