

647845-7 ✓ ACTIVE

### AMP Power Series - 50

TE Internal #: 647845-7

Rectangular Power Connectors, Housing, Receptacle / Plug, Wire-to-Wire, 2 Position, 19.05 mm [.705 in] Centerline, Wire & Cable, AMP Power Series - 50

[View on TE.com >](#)



Connectors > Power Connectors > Rectangular Power > Rectangular Power Connectors



Rectangular Power Connector Type: **Housing**

Connector & Housing Type: **Plug, Receptacle**

Connector System: **Wire-to-Wire**

Number of Positions: **2**

Centerline (Pitch): **19.05 mm [.705 in]**

## Features

### Product Type Features

Compatible With Discrete Wire Type	Stranded
Rectangular Power Connector Type	Housing
Connector & Housing Type	Plug, Receptacle
Connector System	Wire-to-Wire
Sealable	No
Connector & Contact Terminates To	Wire & Cable

### Configuration Features

Number of Positions	2
Number of Power Positions	0
Number of Signal Positions	0
Number of Rows	1

### Electrical Characteristics

Operating Voltage	600 VDC
-------------------	---------

### Contact Features



Contact Retention Within Housing	Without
----------------------------------	---------

Contact Type	Tab
--------------	-----

### Termination Features

Termination Method to Wire & Cable	Crimp
------------------------------------	-------

### Mechanical Attachment

Panel Mount Feature	Without
---------------------	---------

Connector Mounting Type	Cable Mount (Free-Hanging)
-------------------------	----------------------------

### Housing Features

Centerline (Pitch)	19.05 mm [.705 in]
--------------------	--------------------

Housing Color	Black
---------------	-------

Housing Material	Polycarbonate
------------------	---------------

### Dimensions

Connector Height	15.88 mm [.625 in]
------------------	--------------------

Product Width	35.05 mm [1.38 in]
---------------	--------------------

Product Length	48.23 mm [1.9 in]
----------------	-------------------

Compatible Insulation Diameter Range	10 mm [.394 in]
--------------------------------------	-----------------

Wire Size	6088 – 27629 CMA
-----------	------------------

### Usage Conditions

Operating Temperature Range	-20 – 105 °C [-4 – 221 °F]
-----------------------------	----------------------------

### Operation/Application

Circuit Application	Power
---------------------	-------

### Industry Standards

UL Rating	Recognized
-----------	------------

Agency/Standard	UL
-----------------	----

Approved Standards	UL E28476
--------------------	-----------

UL Flammability Rating	UL 94V-0
------------------------	----------

Glow Wire Rating	Standard Part - Not Glow Wire
------------------	-------------------------------

### Packaging Features

Packaging Quantity	175
--------------------	-----

Packaging Method	Bag
------------------	-----

## Product Compliance

[For compliance documentation, visit the product page on TE.com>](#)

EU RoHS Directive 2011/65/EU	Compliant
EU ELV Directive 2000/53/EC	Compliant
China RoHS 2 Directive MIIT Order No 32, 2016	No Restricted Materials Above Threshold
EU REACH Regulation (EC) No. 1907/2006	Current ECHA Candidate List: JUNE 2023 (235) Candidate List Declared Against: JUNE 2022 (224) Does not contain REACH SVHC
Halogen Content	Low Halogen - Br, Cl, F, I < 900 ppm per homogenous material. Also BFR/CFR/PVC Free
Solder Process Capability	Not applicable for solder process capability

### Product Compliance Disclaimer

This information is provided based on reasonable inquiry of our suppliers and represents our current actual knowledge based on the information they provided. This information is subject to change. The part numbers that TE has identified as EU RoHS compliant have a maximum concentration of 0.1% by weight in homogenous materials for lead, hexavalent chromium, mercury, PBB, PBDE, DBP, BBP, DEHP, DIBP, and 0.01% for cadmium, or qualify for an exemption to these limits as defined in the Annexes of Directive 2011/65/EU (RoHS2). Finished electrical and electronic equipment products will be CE marked as required by Directive 2011/65/EU. Components may not be CE marked. Additionally, the part numbers that TE has identified as EU ELV compliant have a maximum concentration of 0.1% by weight in homogenous materials for lead, hexavalent chromium, and mercury, and 0.01% for cadmium, or qualify for an exemption to these limits as defined in the Annexes of Directive 2000/53/EC (ELV). Regarding the REACH Regulation, the information TE provides on SVHC in articles for this part number is based on the latest European Chemicals Agency (ECHA) 'Guidance on requirements for substances in articles' posted at this URL: <https://echa.europa.eu/guidance-documents/guidance-on-reach>

## Compatible Parts



Also in the Series | [AMP Power Series - 50](#)

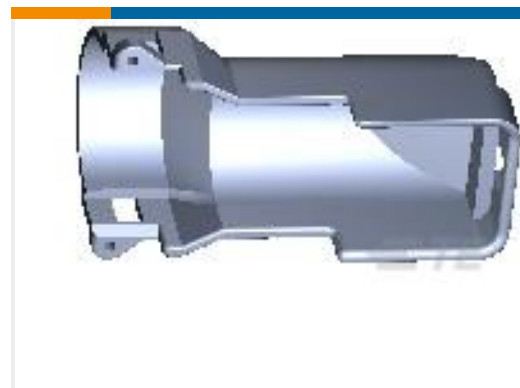
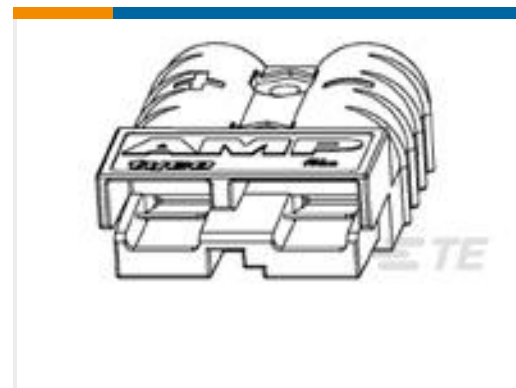
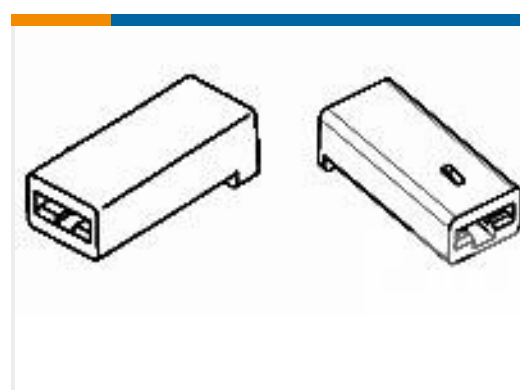


Rectangular Connector Adapters(2)



Rectangular Power Connectors(13)

## Customers Also Bought

TE Part #HDP26-24-47SE  
PLG, 47P, BLK, E, 16/20, STE Part #9-1394050-1  
COVER F.21P REC-HSGTE Part #647845-4  
SERIES 50 HOUSING, GRAYTE Part #794616-2  
FREE HANG DBL ROW HSG 2 POSTE Part #42281-2  
FF 250 REC 18-14AWG TPBRTE Part #925324-2  
FF 250 PLUG HSG 1P NYLON CLEARTE Part #1-1670917-1  
3POS, MCON 1.2 LL REC SEALEDTE Part #HD36-18-14SN  
PLG, 14P, AL, N, 16, STE Part #1393374-2  
V23540M1026Q501=MARKT MODULE  
C

## Documents

### Product Drawings

SERIES 50 HOUSING, BLACK

English

### CAD Files

3D PDF

3D

Customer View Model

ENG\_CVM\_CVM\_647845-7\_B.2d\_dxf.zip



English

**Customer View Model**

[ENG\\_CVM\\_CVM\\_647845-7\\_B.3d\\_igs.zip](#)

English

**Customer View Model**

[ENG\\_CVM\\_CVM\\_647845-7\\_B.3d\\_stp.zip](#)

English

By downloading the CAD file I accept and agree to the [Terms and Conditions](#) of use.

---

### Datasheets & Catalog Pages

[POWER\\_CONNECTORS\\_CATALOG\\_SEC02\\_CABLE\\_MOUNTED](#)

English

[2\\_PIECE\\_POWER\\_CONNECTORS\\_qrg\\_4-1773458-1](#)

English

---

### Product Specifications

[Application Specification](#)

English