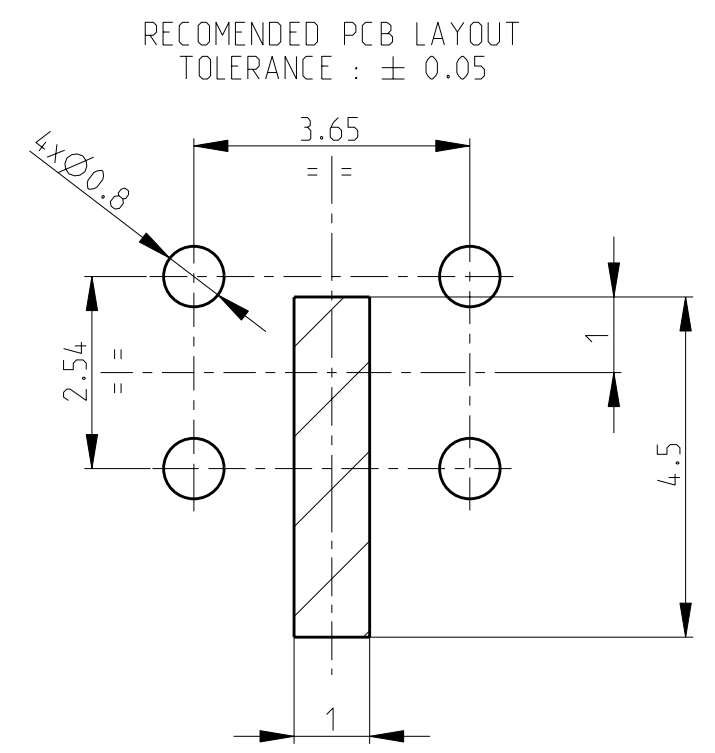
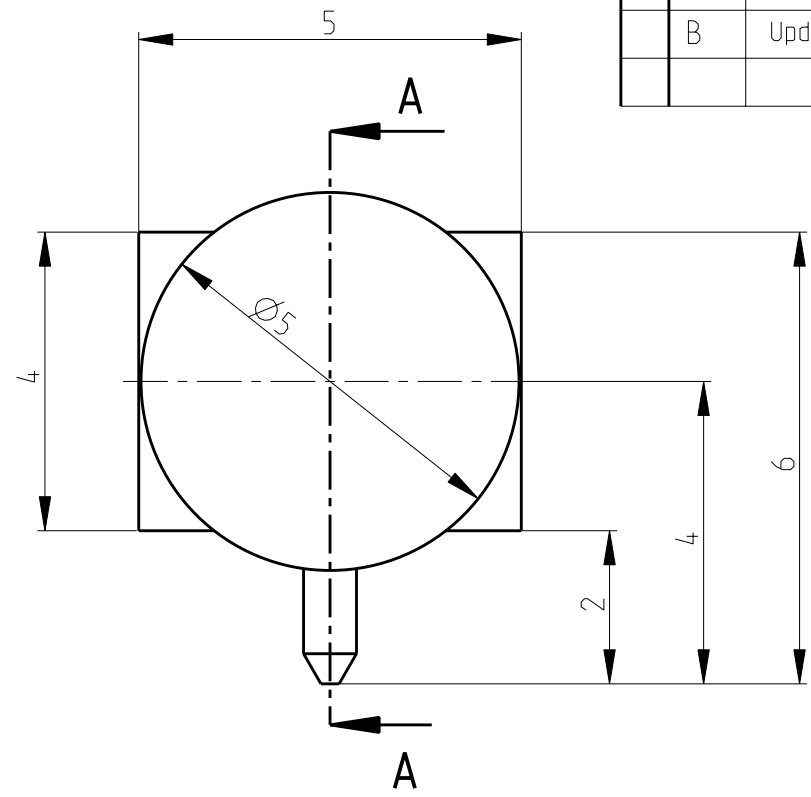
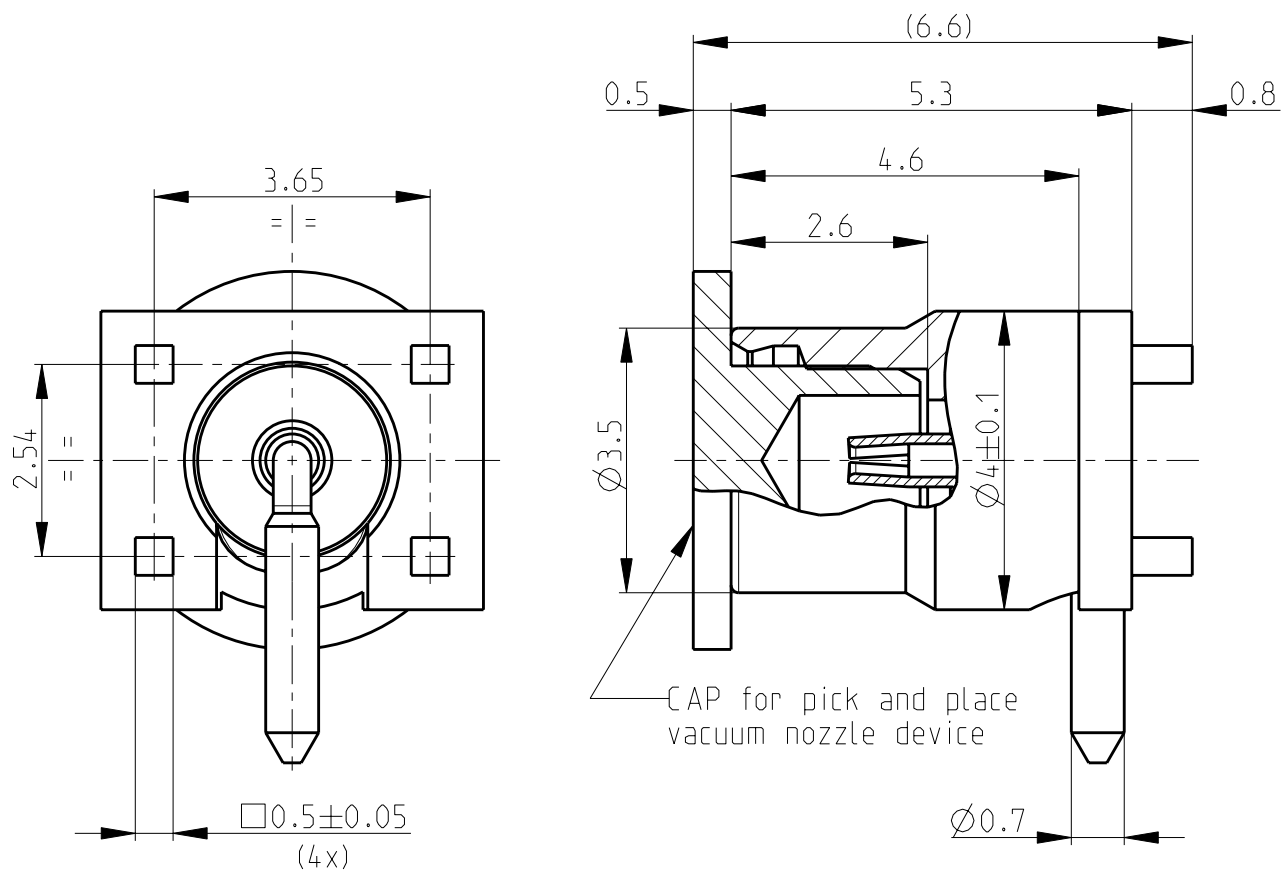
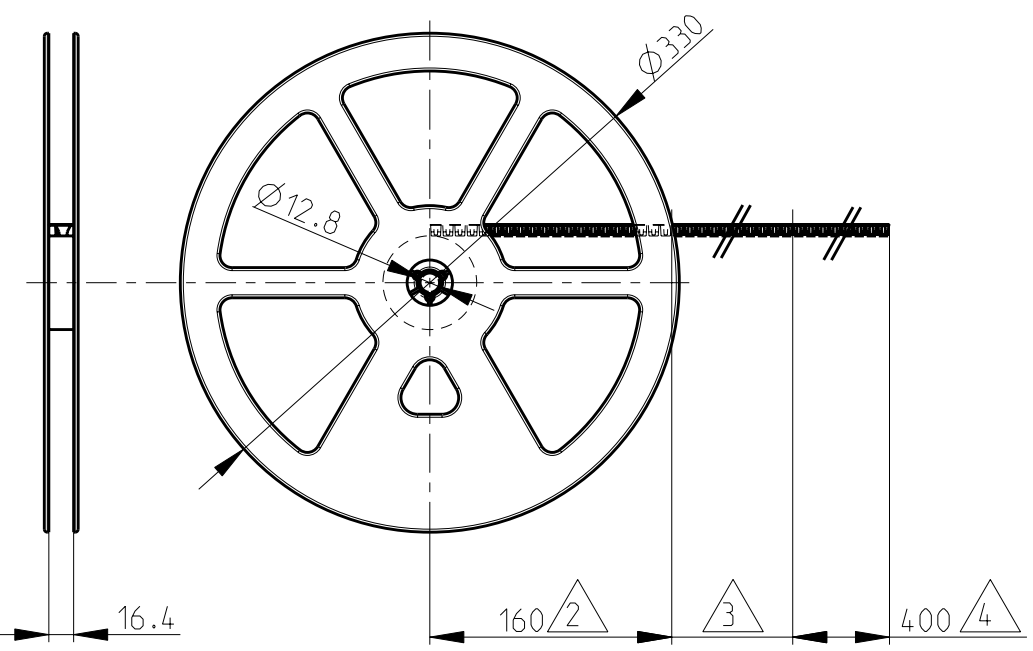


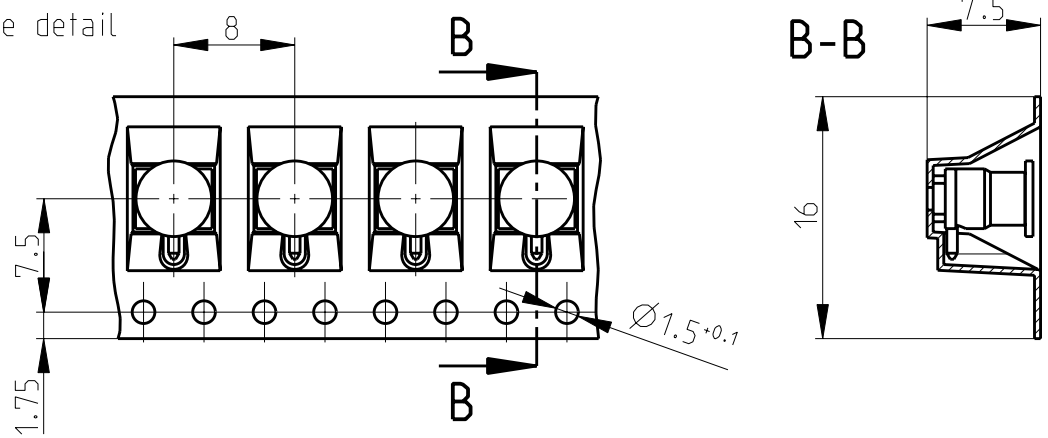
LOC	DIST	REVISIONS				
P	LTR	DESCRIPTION	DATE	DWN	APVD	
IS	-	51	First issue	16OCT2006	AM	DB
		A	Released to production	26OCT2007	AM	DB
		B	Update drawing	29APR2009	AM	DB



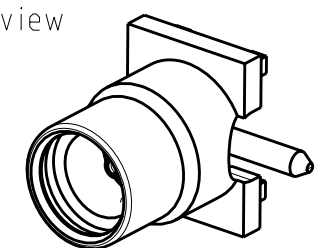
Reel detail 1:5



Tape detail 2:1



3D view 5:1



- 1 GENERAL TOLERANCES: ISO 2768-m-H
- 2 Last running acc. to IEC 60286-3
- 3 Blister belt filled with parts
- 4 400mm empty blister belt, sealed with cover tape

Packaging : 1100 pcs in Tape on reel according IEC 60286-3  
 Further characteristics as per EIA-481

Suggested Pick and place dimension :  $\varnothing$  5 mm



1:1

619285-1	Cap	PTFE	-
	Dielectric	PTFE	-
	Outer Con.	Brass	Plated Au over NiP
	Center Con.	CuBe	Plated Au over NiP
TE Nr	Description	Material	Plating

THIS DRAWING IS A CONTROLLED DOCUMENT FOR TYCO ELECTRONICS CORPORATION  
 IT IS SUBJECT TO CHANGE AND THE CONTROLLING ENGINEERING ORGANIZATION  
 SHOULD BE CONTACTED FOR THE LATEST REVISION.

DIMENSIONS:		TOLERANCES UNLESS OTHERWISE SPECIFIED:	
mm			
	0 PLC	±	
	1 PLC	±	
	2 PLC	±	
	3 PLC	±	
	4 PLC	±	
MATERIAL		FINISH	
-		-	

DWN	A. Mariotti	16OCT2006
CHK	D. Bozzer	16OCT2006
APVD	-	-
PRODUCT SPEC	108-71075	
APPLICATION SPEC	-	
WEIGHT	-	
CUSTOMER DRAWING		

tyco Electronics Lugano (Switzerland)		NAME	
		MMCX jack 90° PCB	
SIZE	CAGE CODE	DRAWING NO	RESTRICTED TO
A3	00779	619285	-
SCALE 10:1		SHEET 1 OF 1	REV B